



NXB-63G Series
Moulded Case Circuit Breaker

User Instruction



Safety Warning

- ① Installation in any damp, condensed-phase environment with inflammable and explosive gas is forbidden. It is strictly prohibited to operate the product with wet hands.
- ② You are prohibited from touching the conductive part when the product is operating.
- ③ It is strictly prohibited to test the performance of the product by the direct contact of the hot wire against the grounding device or the direct short circuit of the hot wire and the neutral wire.
- ④ When the product is being installed or maintained, the power must be switched off.
- ⑤ The protection features of the product are set by the manufacturer. It is not allowed to open or adjust the circuit breaker at will.
- ⑥ The product must be wired and installed by qualified personnel and be checked regularly.
- ⑦ It is prohibited to let children play with the product or the package.
- ⑧ Prevent foreign objects from falling into the product.
- ⑨ Do not install the product at places where gas media can cause metal corrosion and insulation damage.
- ⑩ Tighten the wiring screws when installing the product to prevent wires from loose or being pulled out. Select wires strictly according to instructions and connect them to proper power supply and load.
- ⑪ This product does not provide protection for electric shock and electricity unbalance.

1 Purpose of Use

The NXB-63G series moulded case circuit breakers are applicable to circuits with frequency of AC 50/60 Hz, rated voltage up to 240/415 V and rated current up to 63A. They provide overload and short circuit protection, and can also be used for infrequent switching of the circuit under normal circumstances.

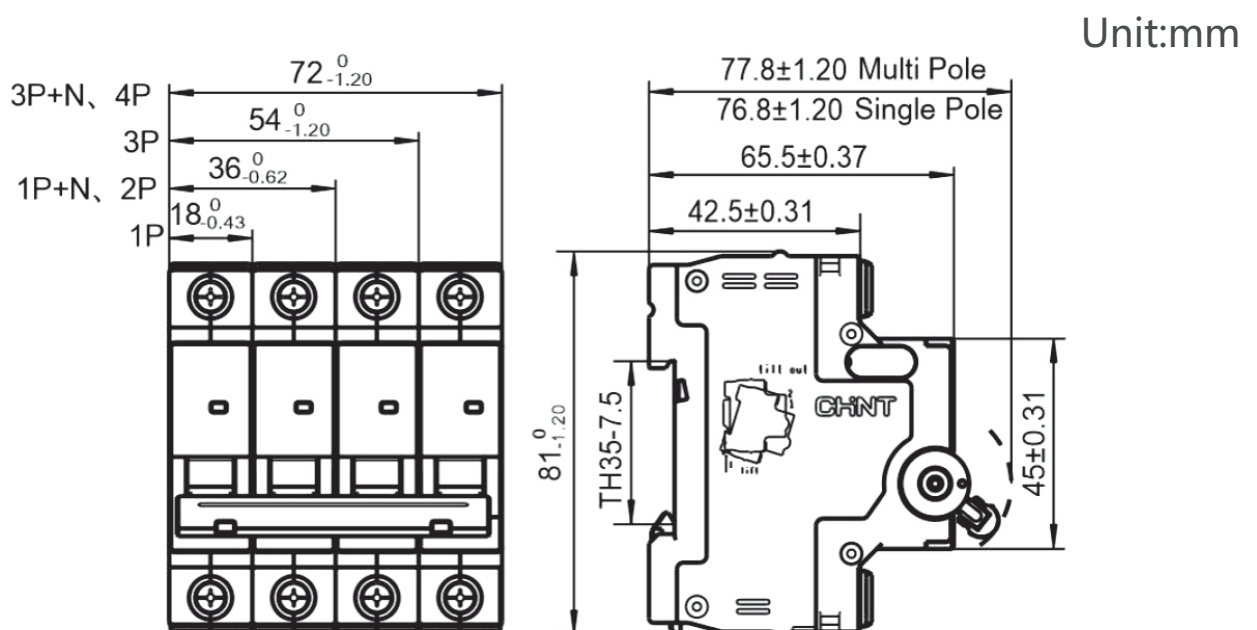
2 Key Technical Parameters

Table 1 Key Technical Parameters

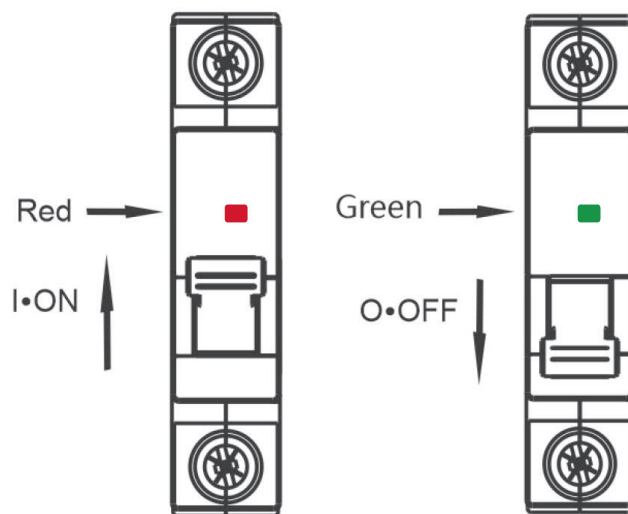
Altitude	≤ 2,000m
Pollution level	Level 2
Installation category	Class II and III
Rated Working voltage (U_e)	AC240 V (1P) AC415 V (2P, 3P, 4P)
Rated limit short-circuit breaking capacity (I_{cu})	6000A
Enclosure protection class	IP20
Rated insulation voltage (U_i)	500V
Standard	IEC/EN 60947-2

3 Installation

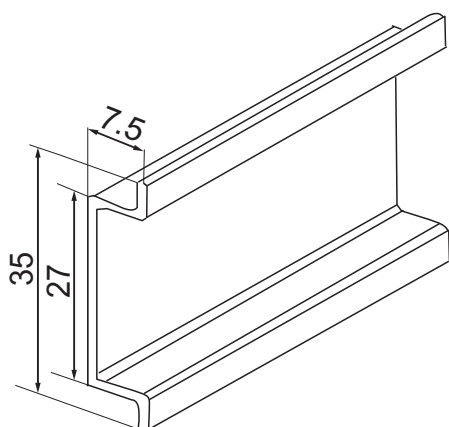
1. Outline and installation dimensions



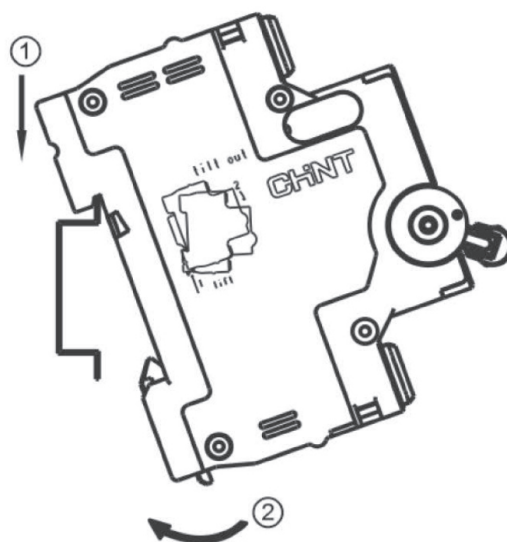
2. On-off indication



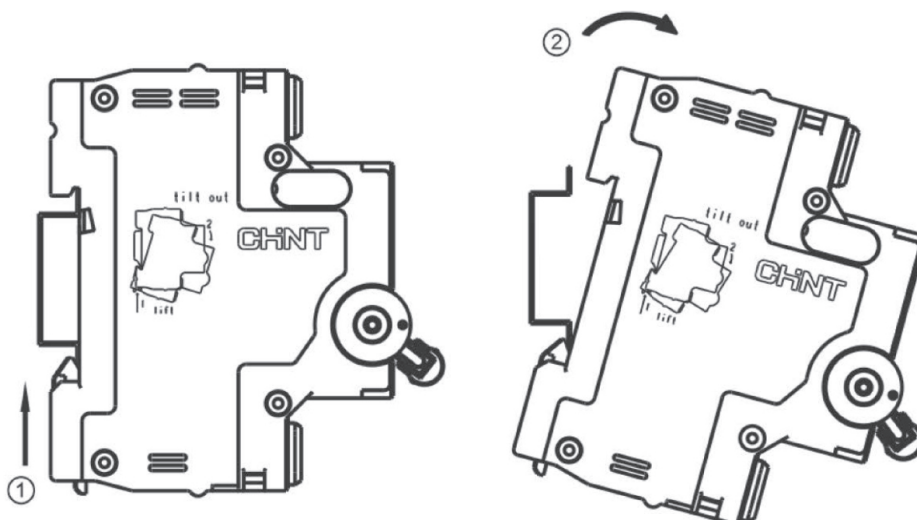
3. Installation



TH35-7.5 type mounting rail



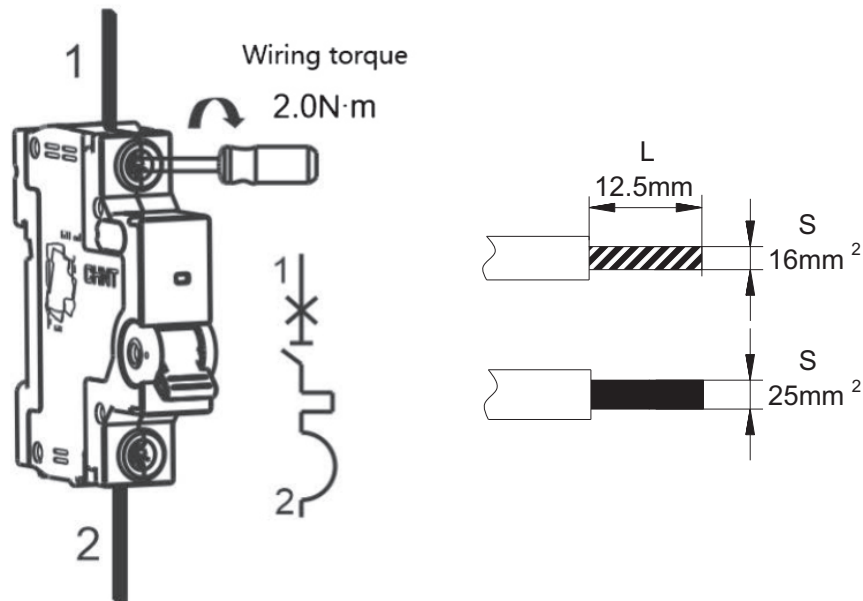
4. Disassembly



5. Wiring: copper wires only

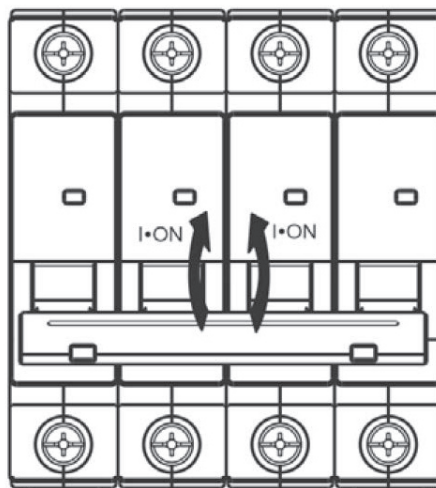
Table 2 Copper wire cross-sectional area

Rated current (I_n) (A)	Copper wire cross-sectional area mm^2
1-6	1
10	1.5
16, 20	2.5
25	4
32	6
40, 50	10
63	16



6. Operation Instruction

It is recommended to carry out the closing operation from the middle of the handle.



4 Maintenance

1. Check the circuit breaker on a regular basis during operation;
2. After the circuit breaker cuts off the overload or short-circuit current, the fault should be eliminated before closing the circuit breaker.

Table 3 Analysis and troubleshooting of common faults

Symptoms	Cause analysis	Troubleshooting method
The handle cannot close the circuit breaker	Short circuit at load end	Eliminate the fault
	Fault occurs to the operating mechanism.	Replace the product
	The rated current of the circuit breaker does not match the load current	Replace with product of proper specifications
Temperature is too high.	The wire is loose or not properly fixed by wiring screws.	Tighten the wiring screws
	The cross-sectional area of the selected wire is too small	Replace with wire of proper specifications
No power	The wire strip length is too short.	Re-strip the wire
	The wire is loose or not properly fixed by wiring screws.	Tighten the wiring screws

5 Environmental Protection

In order to protect the environment, the product or product parts should be disposed of according to the industrial waste treatment process, or be sent to the recycling station for assortment, dismantling and recycling according to local regulations.

The CHINT logo is displayed in white text on a blue rectangular background. The letter 'i' in 'CHINT' has a small red square above it.

QC PASS

NXB-63G Series
Moulded Case Circuit Breaker
IEC/EN 60947-2

Check 52

Test date: Please see The packing

ZHEJIANG CHINT ELECTRICS CO.,LTD.

CHNT

CHINT ELECTRICS

NXB-63G Series
Moulded Case Circuit Breaker
User Instruction

Zhejiang Chint Electrics Co., Ltd.

Add: No.1, CHINT Road, CHINT Industrial Zone, North Baixiang,

Yueqing, Zhejiang 325603, P.R.China

E-mail: global-sales@chint.com

Website: <http://en.chint.com>

