



## YBLX-WL Travel Switch

### 1. General

YBLX-WL travel switch (hereinafter referred to as switch) is mainly applicable to electrical circuit with AC-15 380V or DC-13 220V, 50Hz/60Hz for travel control, direction of motion or speed change of movement mechanism, automatic control of machine tool, limit action & travel or procedure control of movement mechanism.

Standard: GB/T 14048.5 IEC60947-5-1.

### 2. Type designation

YB LX-WL/□/□

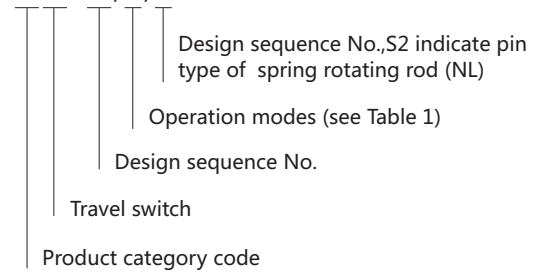


Table 1

Type (use the recommended type)	Operating modes	Alternative models (stop service)		
YBLX-WL/CA2	Single-roller rotating arm	YBLX-WL/01CA2	YBLX-WL/ACA2, YBLX-WL/CA12/2	TZ-5104
YBLX-WL/CA12	Adjustable single-roller rotating arm	YBLX-WL/01CA12	YBLX-WL/ACA12	TZ-5108
YBLX-WL/D	Pressure-plunger type	YBLX-WL/01D	YBLX-WL/AD	TZ-5101
YBLX-WL/D2	Plunger-roller type	YBLX-WL/01D2	YBLX-WL/AD2	TZ-5102
YBLX-WL/NJ	Universal type I	YBLX-WL/01NJ	YBLX-WL/ANJ	TZ-5106
YBLX-WL/NJ/S2	Universal type II	YBLX-WL/01NJ/S2	YBLX-WL/ANJ/S2	TZ-5169
YBLX-WL/CL	Adjustable straight-shaft type	YBLX-WL/01CL	YBLX-WL/ACL	TZ-5107

### 3. Technical data

Table 2

Ingress protection	IP52
Operation frequency	20t/min
Contact resistance	200mΩ (initial value)
Ambient temperature	-5°C~+40°C
Relative humidity	≤95%
Rated voltage	AC-15 380V; DC-13 220V
Rated control current	AC-15 0.79A; DC-13 0.15A
Installation category	II
Pollution degree	class3
Insulation voltage Ui	415V
Rated impulse withstand voltage Uimp	4KV

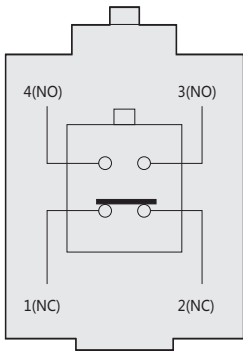


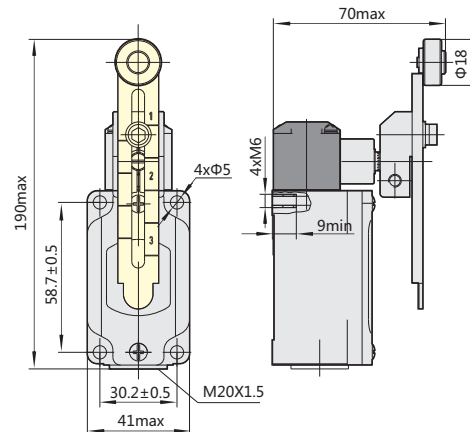
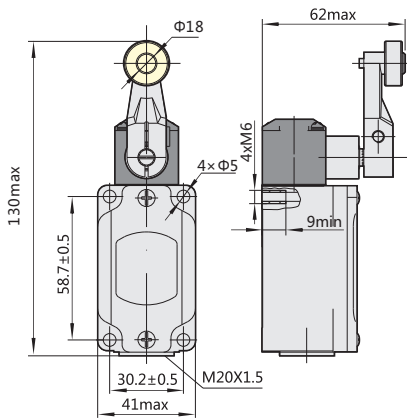
Table 1

Type	Operating characteristic	Operating force	Operation range	Overtravel
YBLX-WL/CL		≤20N	≤45°	≥15°
YBLX-WL/CA2		≤20N	≤45°	≥15°
YBLX-WL/CA12		≤20N	≤45°	≥15°
YBLX-WL/D		≤30N	≤7.5mm	≥2mm
YBLX-WL/D2		≤30N	≤7.5mm	≥2mm
YBLX-WL/NJ		≤16N	≤45°	-
YBLX-WL/NJ/S2		≤16N	≤45°	-

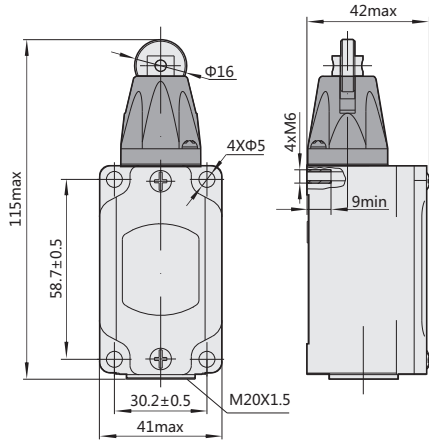
#### 4. Overall and mounting dimensions

YBLX-WL/CA2

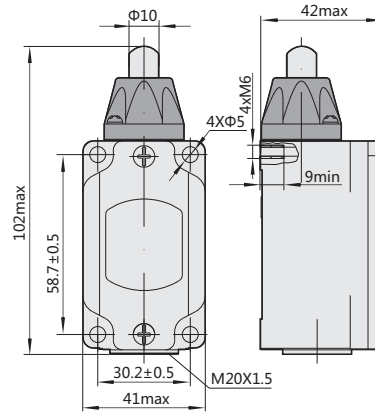
YBLX-WL/CA12



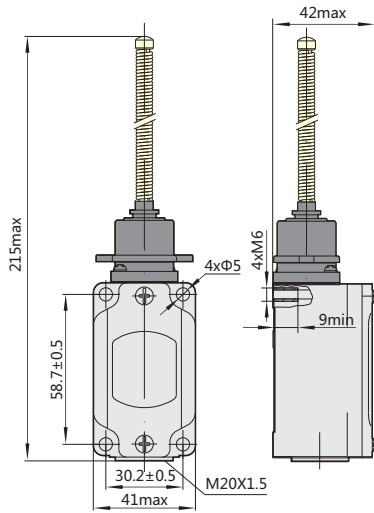
YBLX-WL/D2



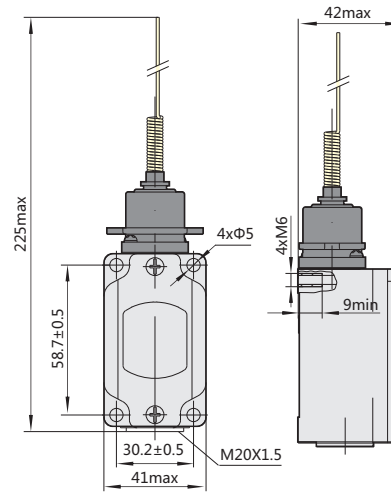
YBLX-WL/D



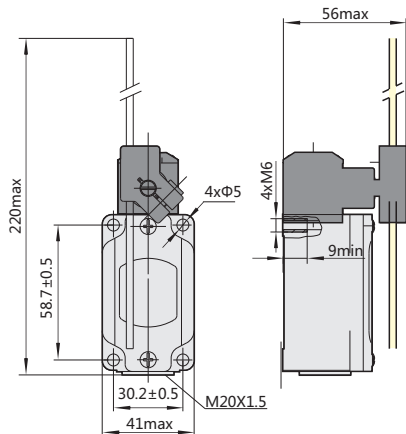
YBLX-WL/NJ



YBLX-WL/NJ/S2



YBLX-WL/CL



## 5. Ordering information

When ordering, the user shall specify the switch type, name and quantity.

For example: YBLX-WL/CA12 100 pieces

User note:

YBLX-WL/CA2, YBLX-WL/CA12, YBLX-WL/CL restricted by operating mechanism.

It can not apply to the arm action is greater than 90 degree condition.

Beware of the action angle is too large lead to turn arm rotation and other undesirable phenomena.