



YBLX-P1 Travel Switch

1. General

YBLX-P1 series of travel switch is applicable to electric circuit with voltage not more than AC-15 Ue 380V,50Hz/60Hz or DC-13 Ue 220V and current not more than AC-15 Ie 0.8A or DC-13 Ie 0.15A for travel control, direction of motion or speed change of movement mechanism, automatic control of machine tool, limit action & travel or procedure control of movement mechanism. Standard: GB/T 14048.5,IEC60947-5-1,CCC China Compulsory Product Certification.

2. Type designation

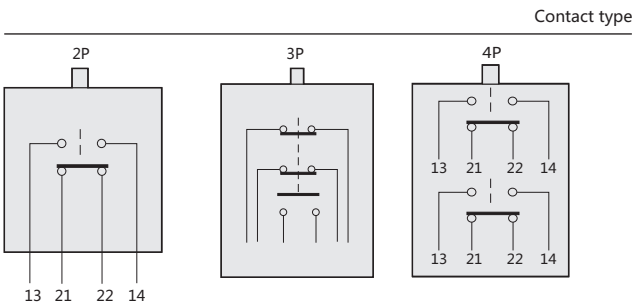
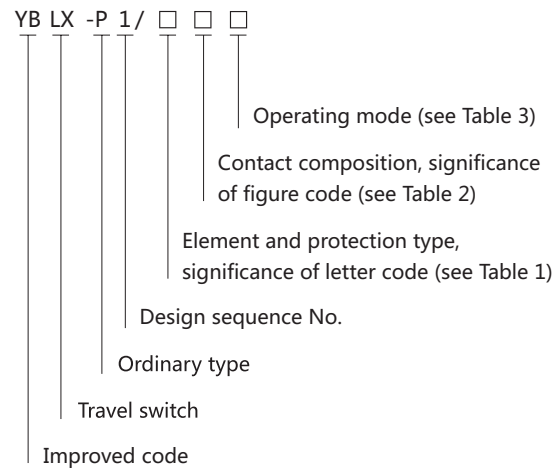


Table 1

020	
100	Bipolar protection travel switch (wide)
120	Bipolar protection travel switch (narrow)
303	Tripolar protection travel switch (wide)
404	Quadrupole protection travel switch (wide)

Table 2

Bipolar switch elements	Tripolar switch element	Quadrupole switch element
A pair of contacts with quick actions, one for normal open and the other for normal close	Common contacts (two for normal open and one for normal close)	Two fast switch elements

Table 3

Type (use recommended type)	Operating mode	Alternative models (stop service)
YBLX-P1/120/1B	Direct acting	YBLX-P1/120/0B
YBLX-P1/120/1C	Direct acting with a buffer	YBLX-P1/120/0C
YBLX-P1/120/1D	Direct acting, single roller	YBLX-P1/120/0D
YBLX-P1/120/1E	Direct acting and single roller with a buffer	YBLX-P1/120/0E
YBLX-P1/120/1F	Angle lever, single roller	YBLX-P1/120/0F
YBLX-P1/120/1G	Adjustable rotating angle, single roller	YBLX-P1/120/1H
		YBLX-P1/120/0H
		YBLX-P1/120/0G
YBLX-P1/120/1P	Adjustable length of the iron lever with damping	YBLX-P1/120/1V
		YBLX-P1/120/0V
		YBLX-P1/120/0P
YBLX-P1/120/1T	Fork rod and two wheels without automatic reset	YBLX-P1/120/0T
YBLX-P1/120/1U	Adjustable length of the single lever and single roller	YBLX-P1/120/0U
YBLX-P1/100/1B	Direct acting	YBLX-P1/100/0B
YBLX-P1/100/1C	Direct acting with a buffer	YBLX-P1/100/0C
YBLX-P1/100/1D	Direct acting, single roller	YBLX-P1/100/0D
YBLX-P1/100/1E	Direct acting and single roller with a buffer	YBLX-P1/100/0E



Table 3

Type (use recommended type)	Operating mode	Alternative models (stop service)		
YBLX-P1/100/1F	Angle lever, single roller	YBLX-P1/100/0F		
YBLX-P1/100/1G	Adjustable rotating angle, single roller	YBLX-P1/100/1H YBLX-P1/100/0H YBLX-P1/100/0G	YBLX-P1/100/1J YBLX-P1/100/0J	YBLX-P1/100/1K YBLX-P1/100/0K
YBLX-P1/100/1P	Adjustable length of the iron lever with damping	YBLX-P1/100/1V YBLX-P1/100/0V YBLX-P1/100/0P	YBLX-P1/100/1W YBLX-P1/100/0W	YBLX-P1/100/1Q YBLX-P1/100/0Q
YBLX-P1/100/1T	Fork rod and two wheels without automatic reset	YBLX-P1/100/0T		
YBLX-P1/100/1U	Adjustable length of the single lever and single roller	YBLX-P1/100/0U	YBLX-P1/100/0N	YBLX-P1/100/0N
YBLX-P1/303/1B	Direct acting	YBLX-P1/303/0B		
YBLX-P1/303/1C	Direct acting with a buffer	YBLX-P1/303/0C		
YBLX-P1/303/1D	Direct acting, single roller	YBLX-P1/303/0D		
YBLX-P1/303/1E	Direct acting and single roller with a buffer	YBLX-P1/303/0E		
YBLX-P1/303/1F	Angle lever, single roller	YBLX-P1/303/0F		
YBLX-P1/303/1G	Adjustable rotating angle, single roller	YBLX-P1/303/1H YBLX-P1/303/0H YBLX-P1/303/0G	YBLX-P1/303/1J YBLX-P1/303/0J	YBLX-P1/303/1K YBLX-P1/303/0K
YBLX-P1/303/1P	Adjustable length of the iron lever with damping	YBLX-P1/303/1V YBLX-P1/303/0V YBLX-P1/303/0P	YBLX-P1/303/1W YBLX-P1/303/0W	YBLX-P1/303/1Q YBLX-P1/303/0Q
YBLX-P1/303/1T	Fork rod and two wheels without automatic reset	YBLX-P1/303/0T		
YBLX-P1/303/1U	Adjustable length of the single lever and single roller	YBLX-P1/303/0U		
YBLX-P1/404/1B	Direct acting	YBLX-P1/404/0B		
YBLX-P1/404/1C	Direct acting with a buffer	YBLX-P1/404/0C		
YBLX-P1/404/1D	Direct acting, single roller	YBLX-P1/404/0D		
YBLX-P1/404/1E	Direct acting and single roller with a buffer	YBLX-P1/404/0E		
YBLX-P1/404/1F	Angle lever, single roller	YBLX-P1/404/0F		
YBLX-P1/404/1G	Adjustable rotating angle, single roller	YBLX-P1/404/1H YBLX-P1/404/0H YBLX-P1/404/0G	YBLX-P1/404/1J YBLX-P1/404/0J	YBLX-P1/404/1K YBLX-P1/404/0K
YBLX-P1/404/1P	Adjustable length of the iron lever with damping	YBLX-P1/404/1V YBLX-P1/404/0V YBLX-P1/404/0P	YBLX-P1/404/1W YBLX-P1/404/0W	YBLX-P1/404/1Q YBLX-P1/404/0Q
YBLX-P1/404/1T	Fork rod and two wheels without automatic reset	YBLX-P1/404/0T		
YBLX-P1/404/1U	Adjustable length of the single lever and single roller	YBLX-P1/404/0U		

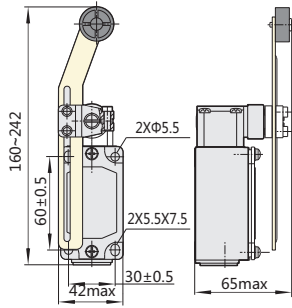
3. Technical data

Table 4

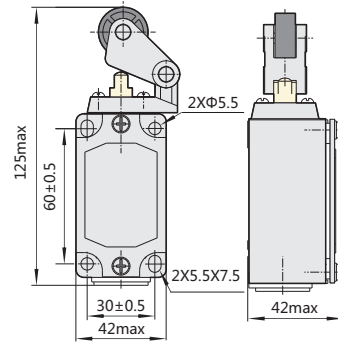
Rated working voltage	AC-15 380V ; DC-13 220V
Rated control current	AC-15 0.8A ; DC-13 0.15A
Conventional thermal current	10A
Ingress protection	IP52
Ambient temperature	-5°C~+40°C
Relative humidity	≤95%
Altitude	≤2000m
Scope of application	Automatic control, limiting movement, action or program control of the transmission mechanism of machine tool
Installation category	II
Pollution degree	class3
Insulation voltage Ui	415V
Rated impulse withstand voltage Uimp	2.5KV

4. Overall and mounting dimensions

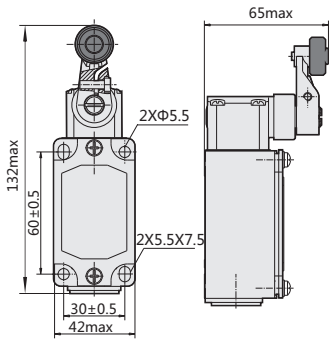
YBLX-P1/120/1U



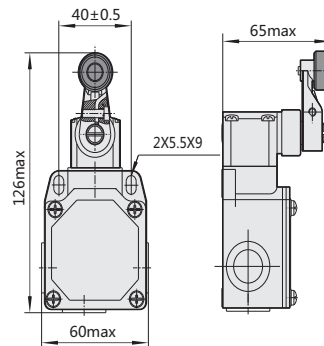
YBLX-P1/120/1C



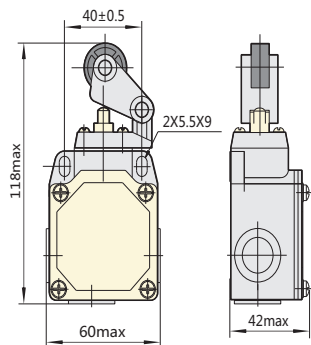
YBLX-P1/120/1G



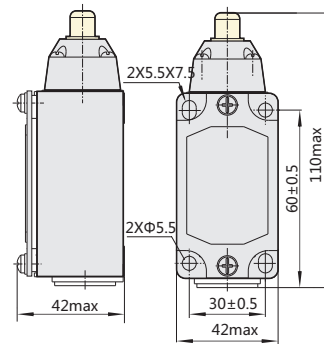
YBLX-P1/100/1G



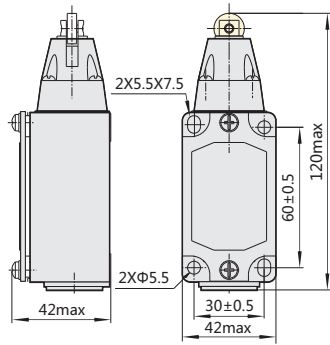
YBLX-P1/100/1E



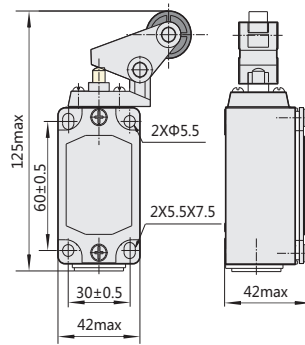
YBLX-P1/120/1C



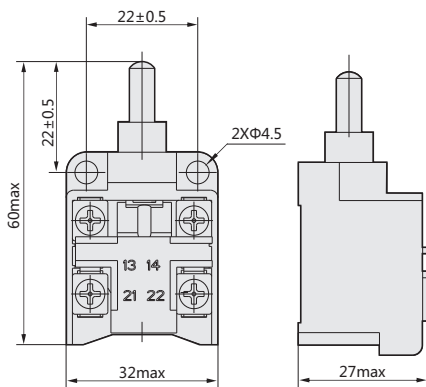
YBLX-P1/120/1D



YBLX-P1/120/1F

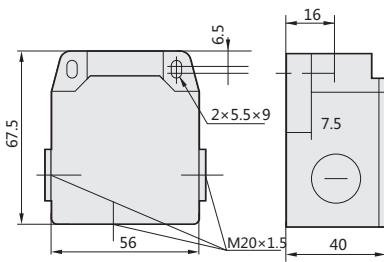


4.1 Open type

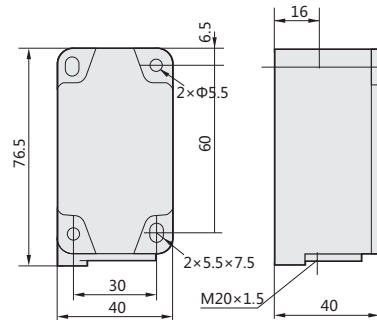


4.2 Protective enclosure

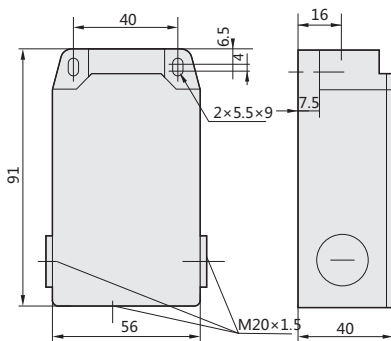
YBLX-P1/100 series



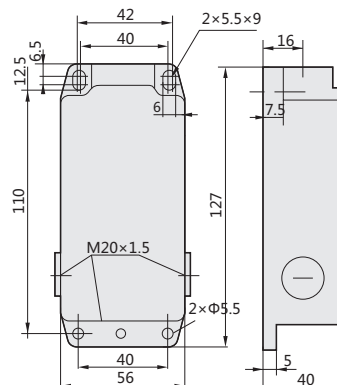
YBLX-P1/120 series



YBLX-P1/303 series

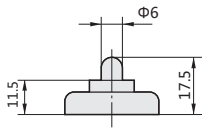


YBLX-P1/404 series



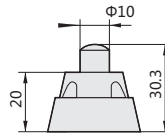
4.3 Type and data of driving head

Category B



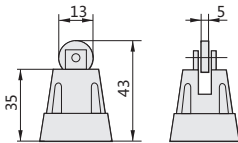
YBLX-P1/100/1B
YBLX-P1/120/1B
YBLX-P1/303/1B
YBLX-P1/404/1B

Category C



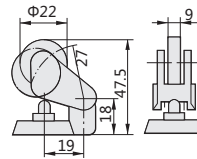
YBLX-P1/100/1C
YBLX-P1/120/1C
YBLX-P1/303/1C
YBLX-P1/404/1C

Category D



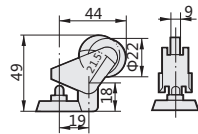
YBLX-P1/100/1D
YBLX-P1/120/1D
YBLX-P1/303/1D
YBLX-P1/404/1D

Category E



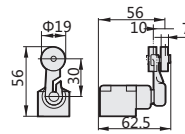
YBLX-P1/100/1E
YBLX-P1/120/1E
YBLX-P1/303/1E
YBLX-P1/404/1E

Category F



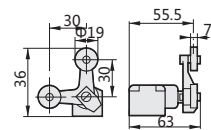
YBLX-P1/100/1F
YBLX-P1/120/1F
YBLX-P1/303/1F
YBLX-P1/404/1F

Category G



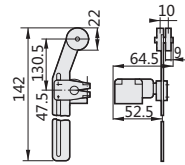
YBLX-P1/100/1G
YBLX-P1/120/1G
YBLX-P1/303/1G
YBLX-P1/404/1G

Category T



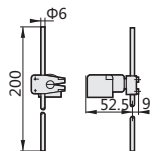
YBLX-P1/100/1T
YBLX-P1/120/1T

Category U



YBLX-P1/100/1U
YBLX-P1/120/1U
YBLX-P1/303/1U
YBLX-P1/404/1U

Category P



YBLX-P1/100/1P
YBLX-P1/120/1P
YBLX-P1/303/1P
YBLX-P1/404/1P

5. Ordering information

When ordering, the user shall indicate the product name, type and quantity.

For example: YBLX-P1/120/1C Travel switch 100 pieces.

User note: YBLX-P1/120/1U(1P,1G), YBLX-P1/303/1U(1P,1G), YBLX-P1/404/1U(1P,1G) restricted by operating mechanism.

It can not apply to the arm action is greater than 90 degree condition. Beware of the action angle is too large lead to turn arm rotation and other undesirable phenomena.

