



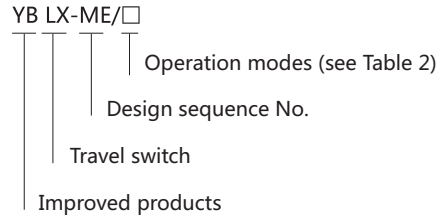
YBLX-ME Travel Switch

1. General

YBLX-ME series of travel switch is applicable to electric circuit with voltage not more than AC-15 380V,50Hz/60Hz or DC-13 Ue 220V and current not more than AC-15 Ie 0.8A or DC-13 Ie 0.16A as travel control, direction of motion or speed change of movement mechanism, automatic control of machine tool, limit action & travel or procedure control of movement mechanism.

Standard: GB/T 14048.5,IEC60947-5-1,CCC China Compulsory Product Certification

2. Type designation



3. Technical data

Contact type

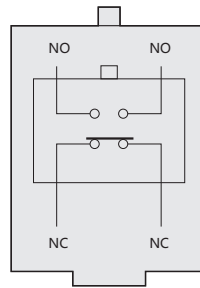


Table 1

Ingress protection	IP62
Operation frequency	20 t/min
Contact resistance	≤15mΩ (initial value)
Ambient temperature	-5°C~+40°C
Relative humidity	≤95%
Rated voltage	AC-15 380V; DC-13 220V
Rated control current	AC-15 0.8A; DC-13 0.16A
Installation category	II
Pollution degree	class3
Insulation voltage Ui	415V
Rated impulse withstand voltage Uimp	2.5KV

Table 2

Type (use the recommended type)	Operating modes	Alternative models (stop service)	
YBLX-ME/8104	Roller rotating arm	YBLX-AZ/8104	YBLX-TZ/8104
YBLX-ME/8107	Adjustable rotating rod	YBLX-AZ/8107	YBLX-TZ/8107
YBLX-ME/8108	Adjustable roller rotating rod	YBLX-AZ/8108	YBLX-TZ/8108
YBLX-ME/8111	Direct pressure plunger type	YBLX-AZ/8111	YBLX-TZ/8111
YBLX-ME/8112	Direct-pressure plunger horizontal roller	YBLX-AZ/8112	YBLX-TZ/8112
YBLX-ME/8122	Direct-pressure plunger horizontal roller	YBLX-AZ/8122	YBLX-TZ/8122
YBLX-ME/8166	Universal type I	YBLX-AZ/8166	YBLX-TZ/8166
YBLX-ME/8169	Universal type II	YBLX-AZ/8169	YBLX-TZ/8169
YBLX-ME/8101	Universal type III	YBLX-AZ/8101 YBLX-AZ/9101	YBLX-TZ/8101 YBLX-TZ/8101

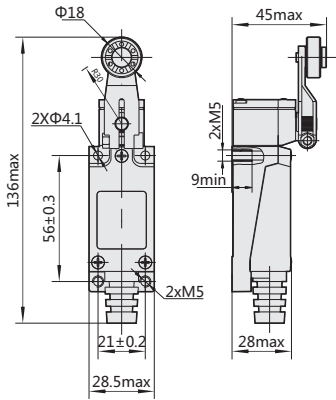
YBLX-ME/9101

Table 3

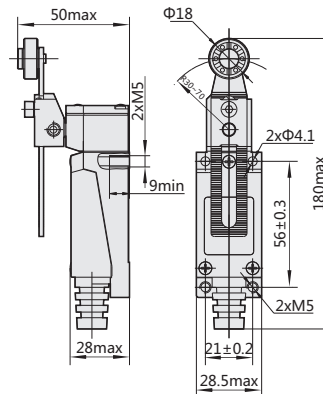
Type	Operating modes	Maximum operating force (max OF)	Maximum operating range (max PT)	Minimum overtravel (min OT)	Total travel (TT)
YBLX-ME/8104	Roller rotating arm	12N	35°	70°	105°
YBLX-ME/8107	Adjustable rotating rod	12N	35°	70°	105°
YBLX-ME/8108	Adjustable roller rotating rod	12N	35°	70°	105°
YBLX-ME/8111	Direct pressure plunger type	15N	5mm	2mm	7mm
YBLX-ME/8112	Direct-pressure plunger horizontal roller	20N	5mm	2mm	7mm
YBLX-ME/8122	Direct-pressure plunger horizontal roller	20N	5mm	2mm	7mm
YBLX-ME/8166	Universal type I	12N	35°	-	-
YBLX-ME/8169	Universal type I	12N	35°	-	-
YBLX-ME/8101	Universal type III	12N	35°	-	-

4. Overall and mounting dimensions

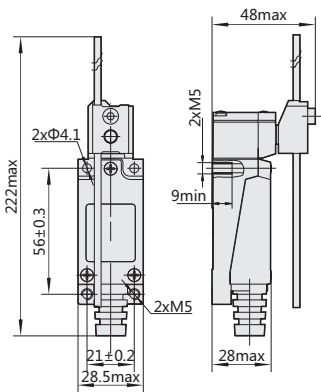
YBLX-ME/8104



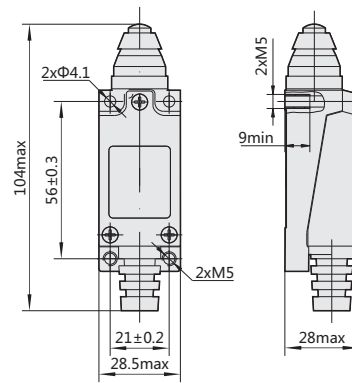
YBLX-ME/8108



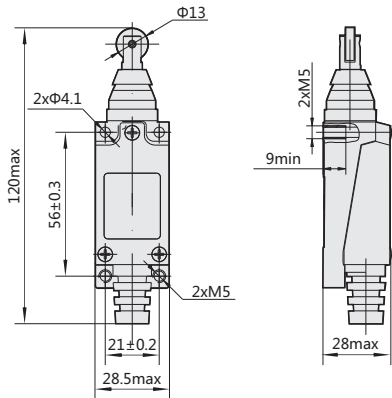
YBLX-ME/8107



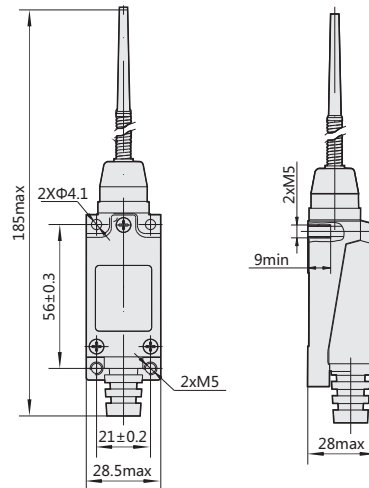
YBLX-ME/8111



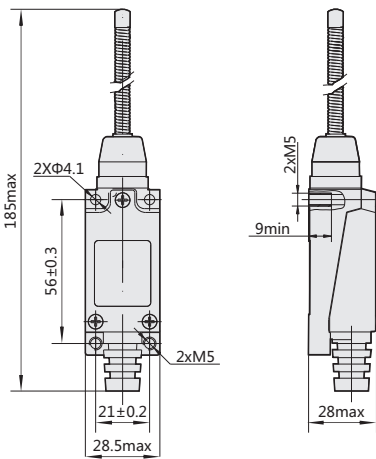
YBLX-ME/8112



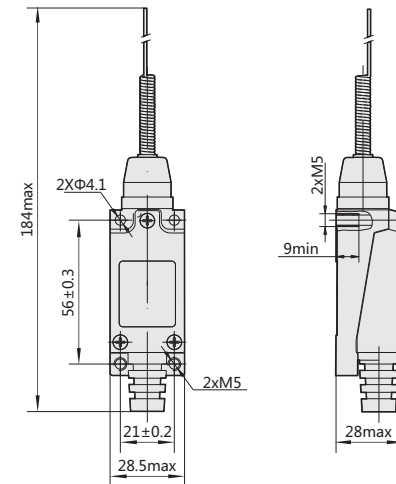
YBLX-ME/8166



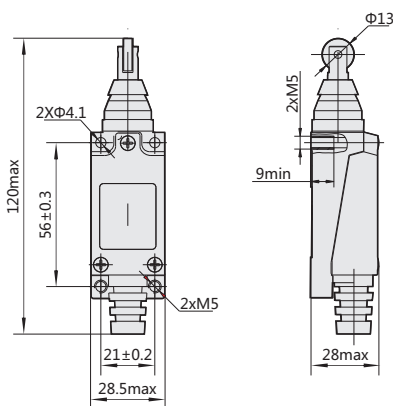
YBLX-ME/8101



YBLX-ME/8169



YBLX-ME/8122



5. Ordering information

When ordering, the user shall specify the switch type, name and quantity.

For example: YBLX-ME/8169 travel switch 100 pieces

User note:

YBLX-ME/8104.8107.8108 this three kinds of specifications products.

Their operating mechanism is torsion spring energy storage.

This kind of product does not fit to the rotating arm stay for a long time in working condition.

Beware of torsion spring outlet fatigue fracture and other undesirable phenomena.