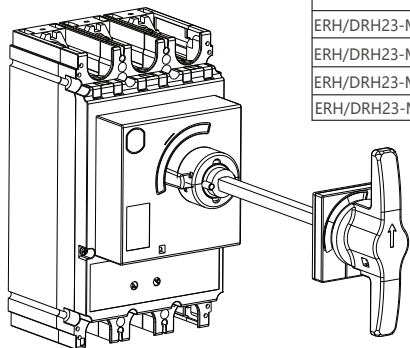


ERH/DRH23-M8 Hand-operating Mechanism

Component	MCCB
ERH/DRH23-M8 T	NM8N-400/630 TM
ERH/DRH23-M8 M	NM8N-400/630 M
ERH/DRH23-M8 SD	NM8N-400/630 SD
ERH/DRH23-M8 E	NM8N-400/630 E

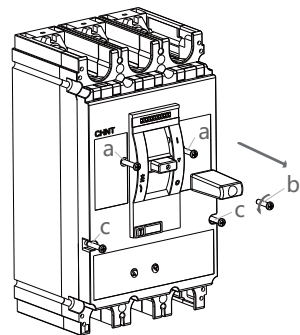


In order to protect the environment, when the product or its components are scrapped, please dispose of it as industrial waste; or hand it over to the recycling station for disaggregation, recycling and reuse according to relevant national regulations



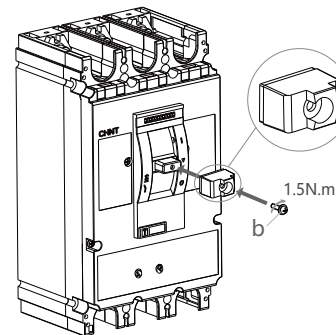
A Extended operator (ERH23-M8)

1

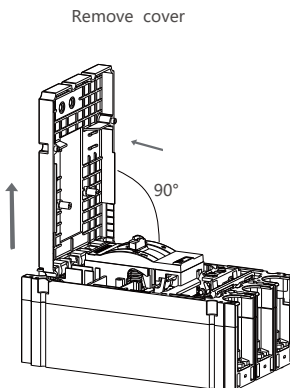


- a ST3.5X25
- b M5X20
- c ST3.5X19

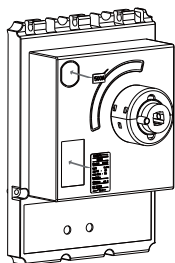
2




3



4

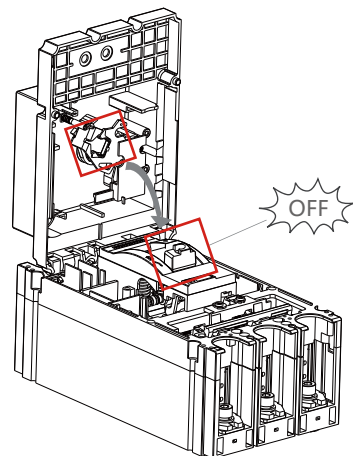




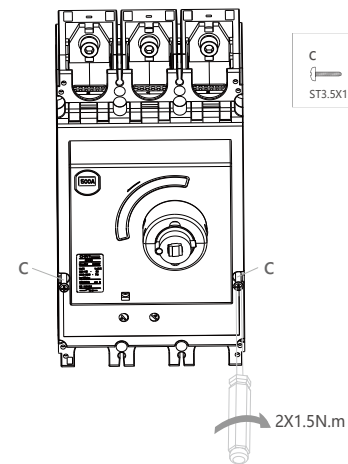
In 630A

The nameplate has been given together with NM8N, you have to paste it by yourself

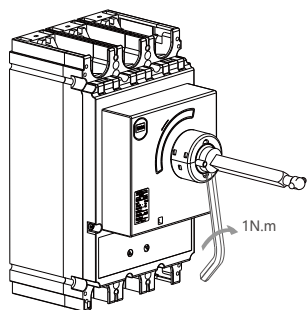
5



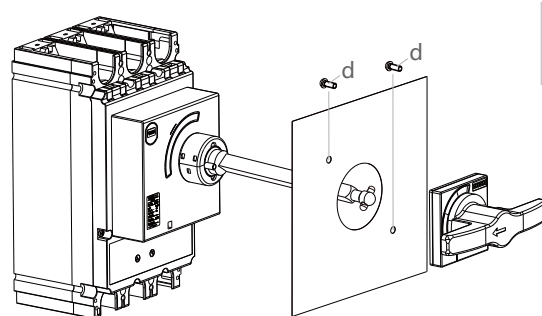
6



7

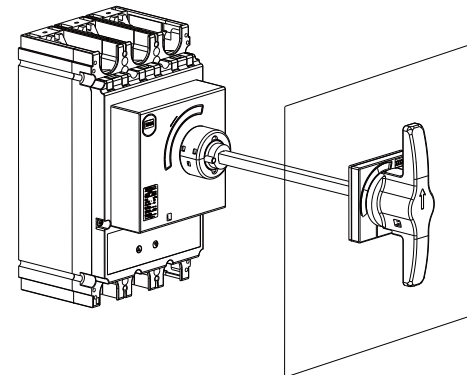


8

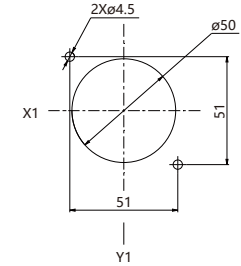
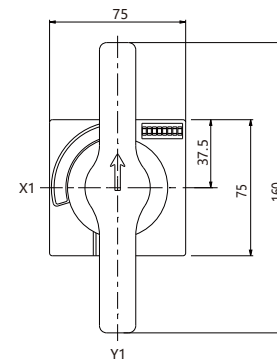
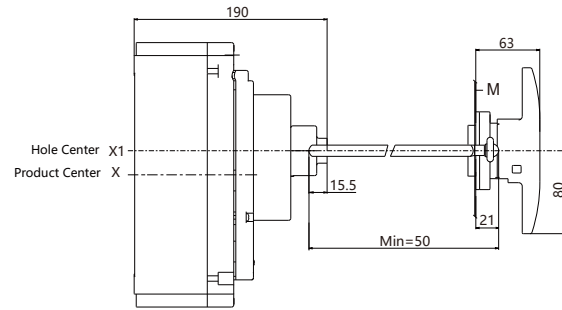
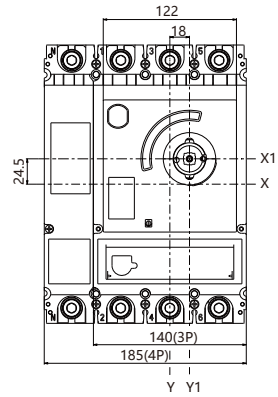


- d M4X12

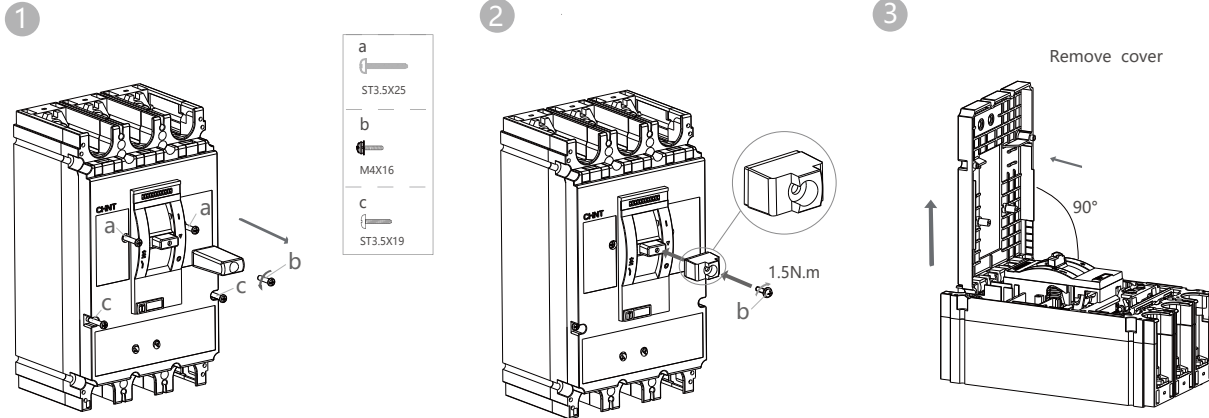
9



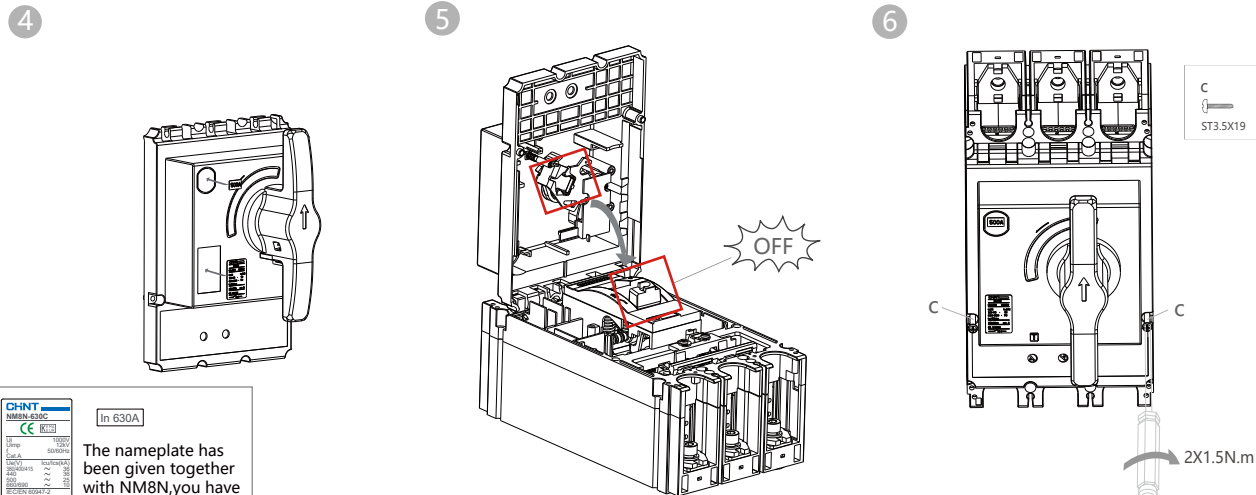
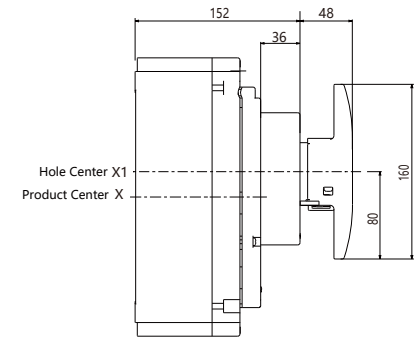
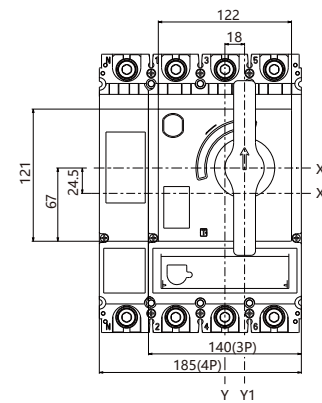
Installation Dimension (mm)



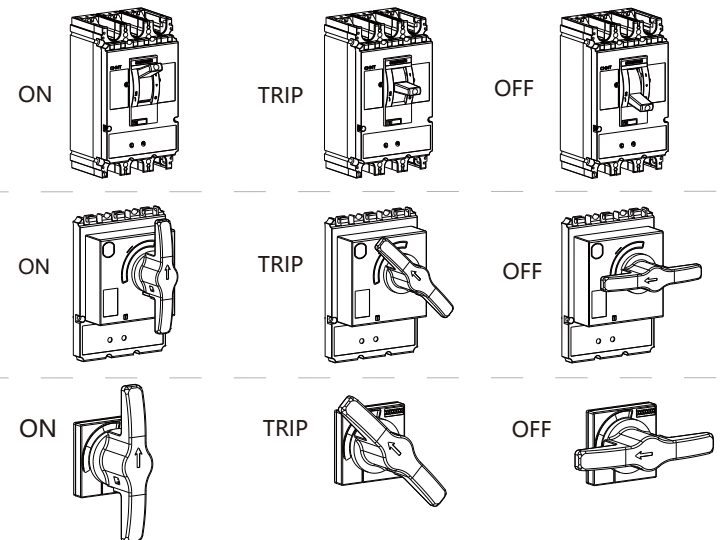
B Direct operator (DRH23-M8)



Installation Dimension (mm)



C Operating Instruction



CHINT NM8N-630C In 630A

The nameplate has been given together with NM8N, you have to paste it by yourself

