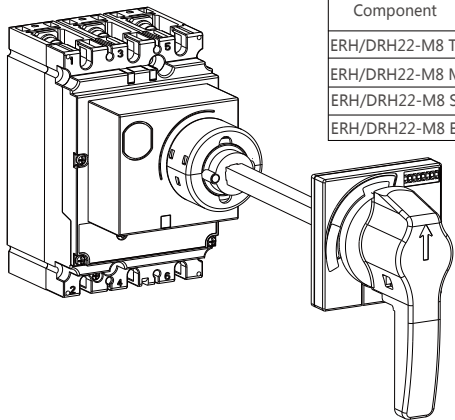


# ERH/DRH22-M8 Hand-operating Mechanism

Component	MCCB
ERH/DRH22-M8 T	NM8N-250 TM
ERH/DRH22-M8 M	NM8N-250 M
ERH/DRH22-M8 SD	NM8N-250 SD
ERH/DRH22-M8 E	NM8N-250 E

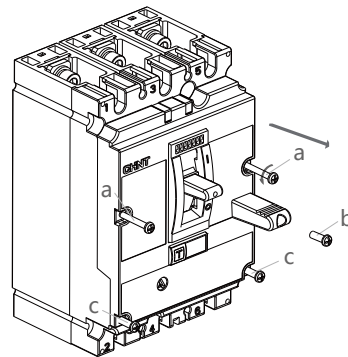


In order to protect the environment, when the product or its components are scrapped, please dispose of it as industrial waste; or hand it over to the recycling station for disaggregation, recycling and reuse according to relevant national regulations



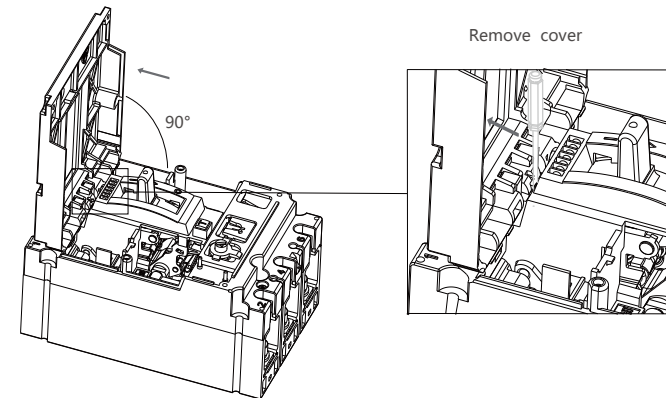
# A Extended operator (ERH22-M8)

1



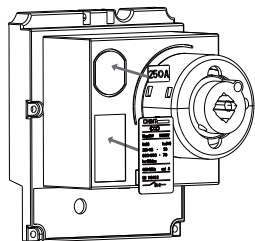
- a/b  
ST2.9X19
- c  
ST2.9X10

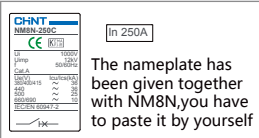
2



Remove cover

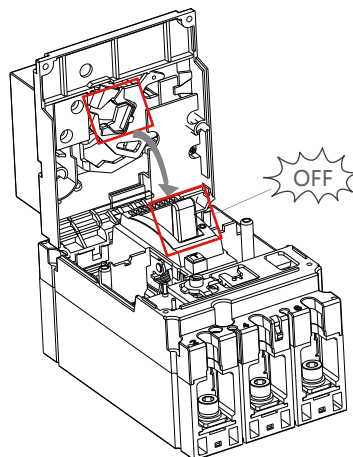
3



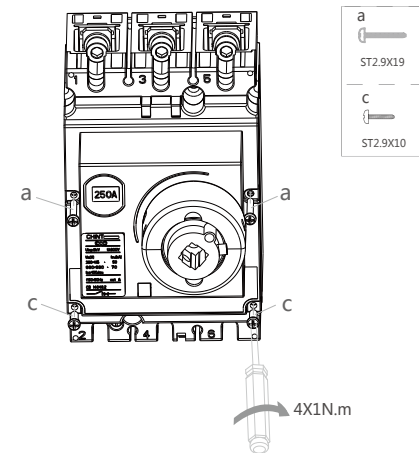


The nameplate has been given together with NM8N, you have to paste it by yourself

4

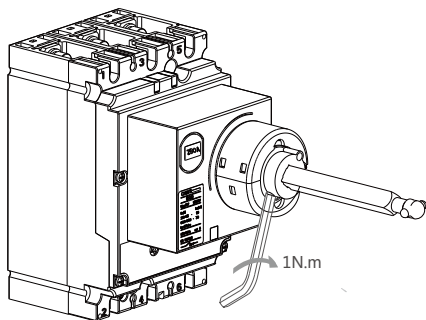


5

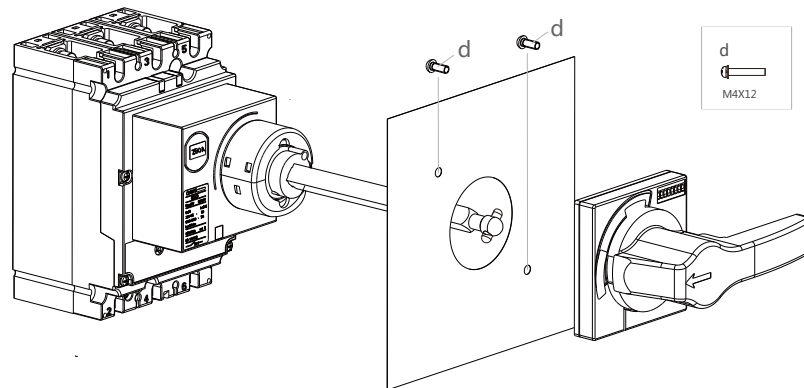


- a  
ST2.9X19
- c  
ST2.9X10

6

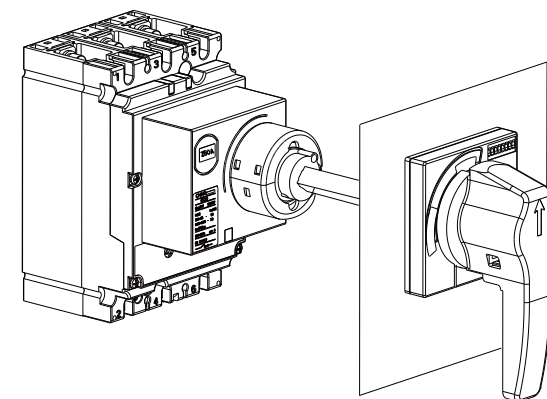


7

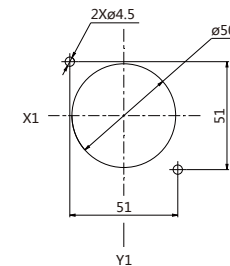
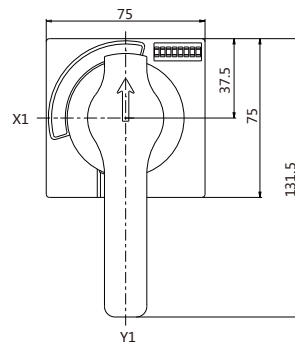
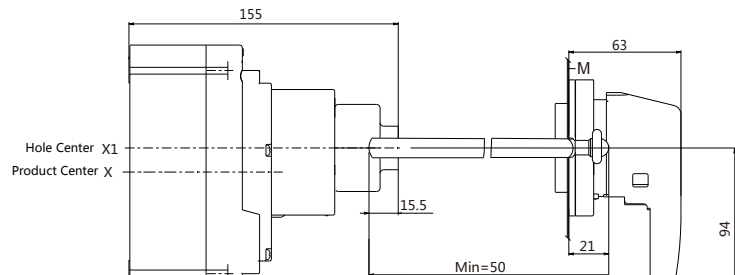
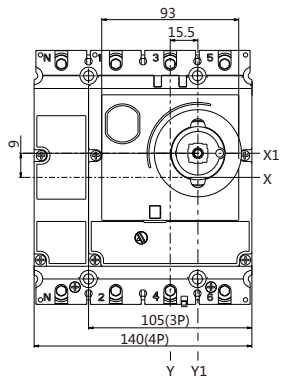


- d  
M4X12

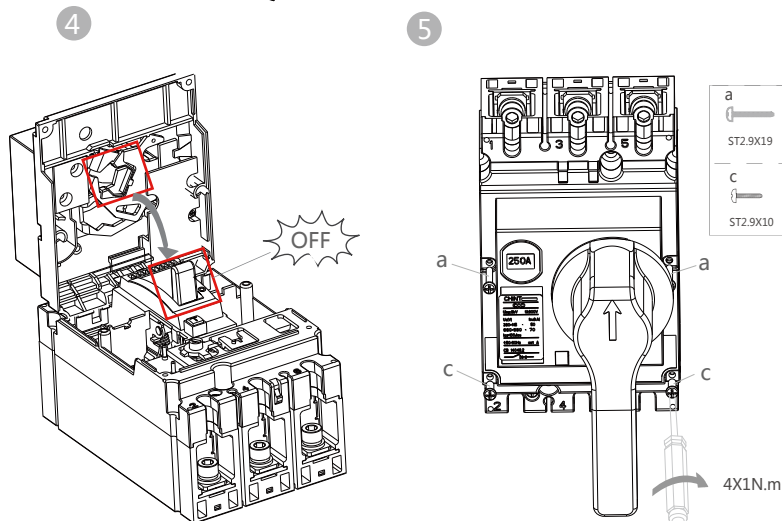
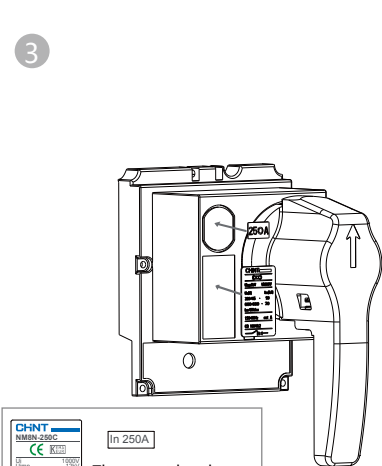
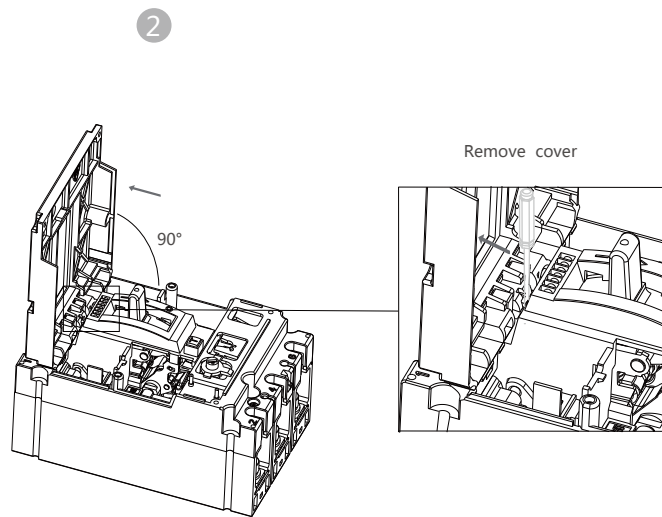
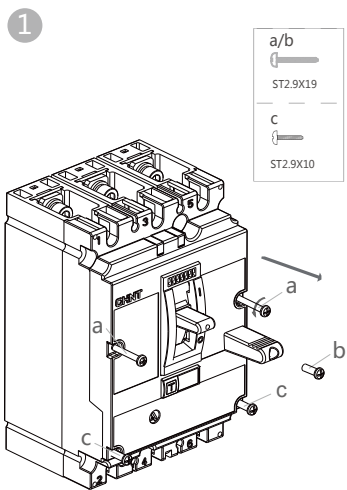
8



### Installation Dimension (mm)

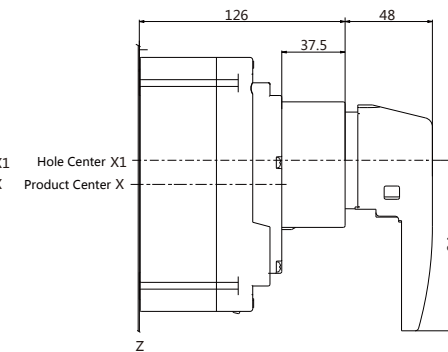
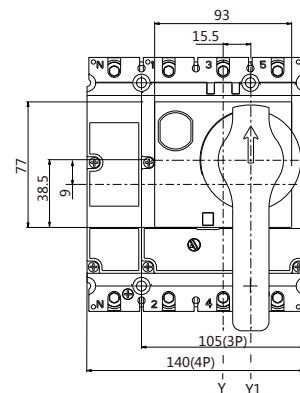


### B Direct operator (DRH22-M8)

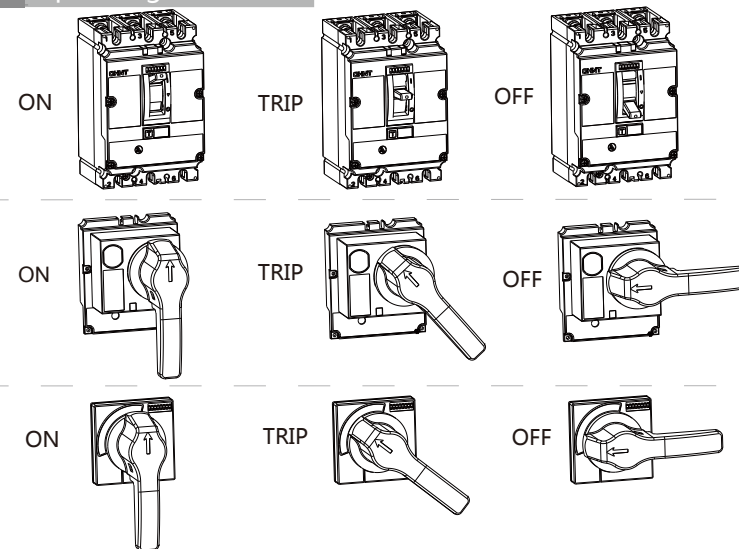


**CHINT**  
NM8N-250C  
CE  
In 250A  
The nameplate has been given together with NM8N, you have to paste it by yourself

### Installation Dimension (mm)



### C Operating Instruction



Zhejiang CHINT Electric Co., Ltd.  
Add: No.1, CHINT Road, CHINT Industrial Zone, North Baixiang, Yueqing, Zhejiang Province.  
Tel: 86-577-6277777 400117797  
Fax: global-sales@chint.com  
Web: http://en.chint.com

