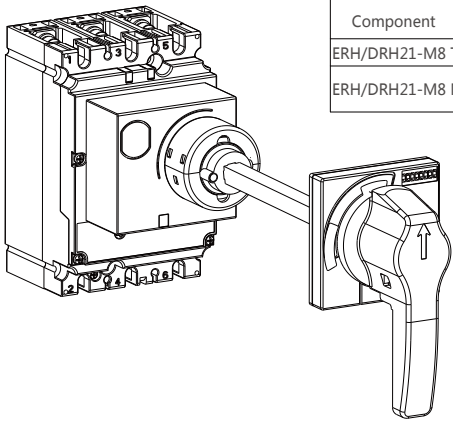


ERH/DRH21-M8 Hand-operating Mechanism

Component	MCCB
ERH/DRH21-M8 T	NM8N-125 TM
ERH/DRH21-M8 M	NM8N-125 M NM8N-125 SD

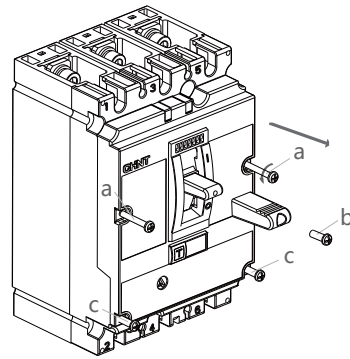


In order to protect the environment, when the product or its components are scrapped, please dispose of it as industrial waste; or hand it over to the recycling station for disaggregation, recycling and reuse according to relevant national regulations



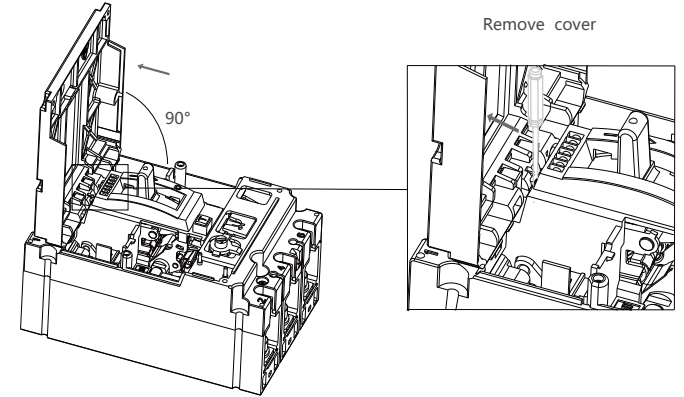
A Extended operator (ERH21-M8)

1



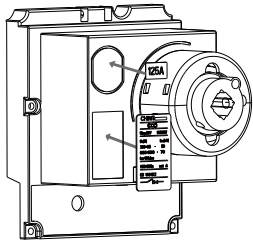
- a ST2.9X19
- b ST2.9X13
- c ST2.9X10

2



Remove cover

3

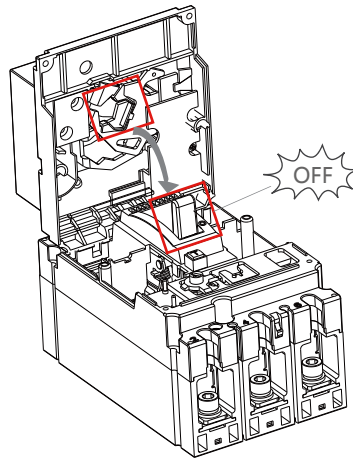


CHNT
NM8N-125C

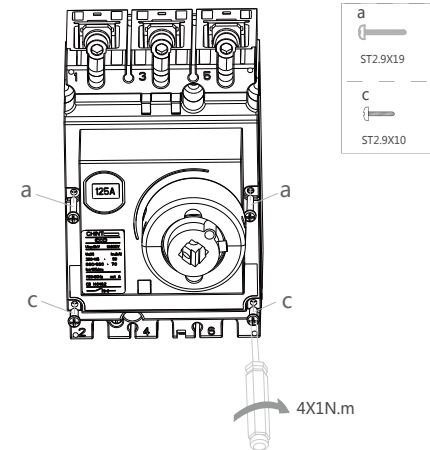
In 125A

The nameplate has been given together with NM8N, you have to paste it by yourself

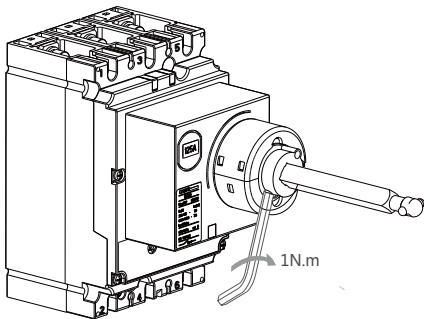
4



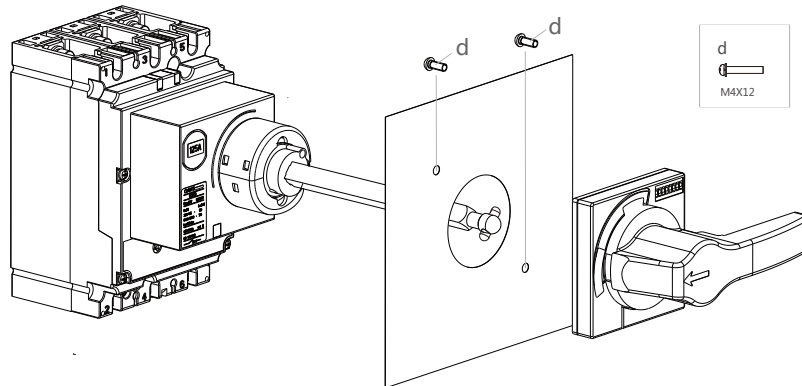
5



6

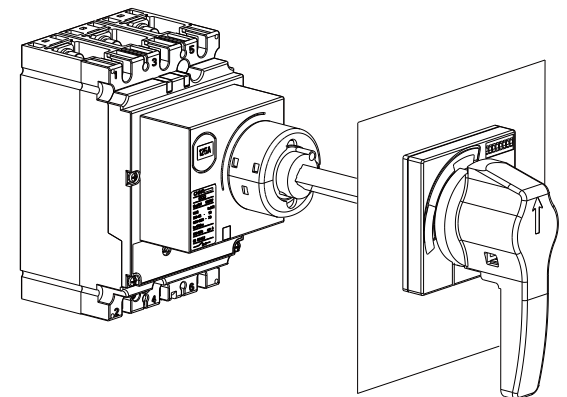


7

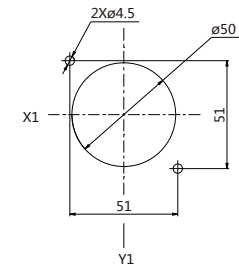
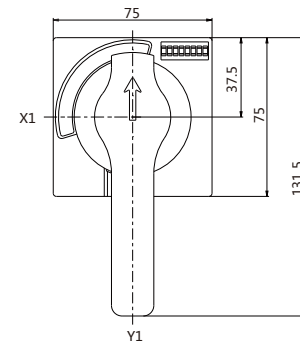
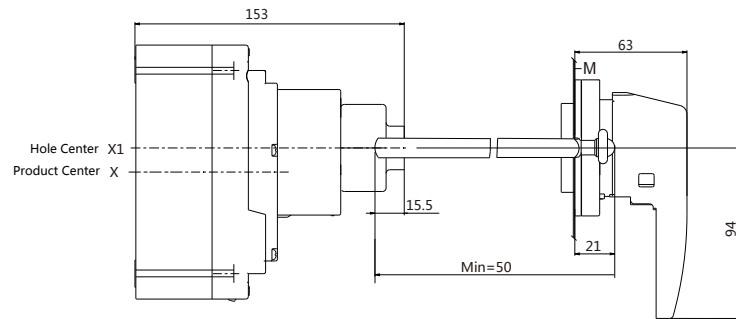
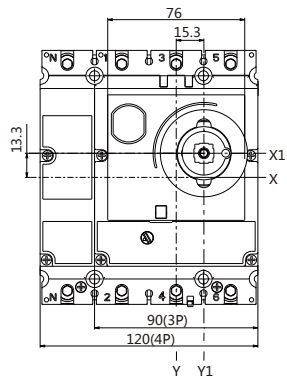


- d M4X12

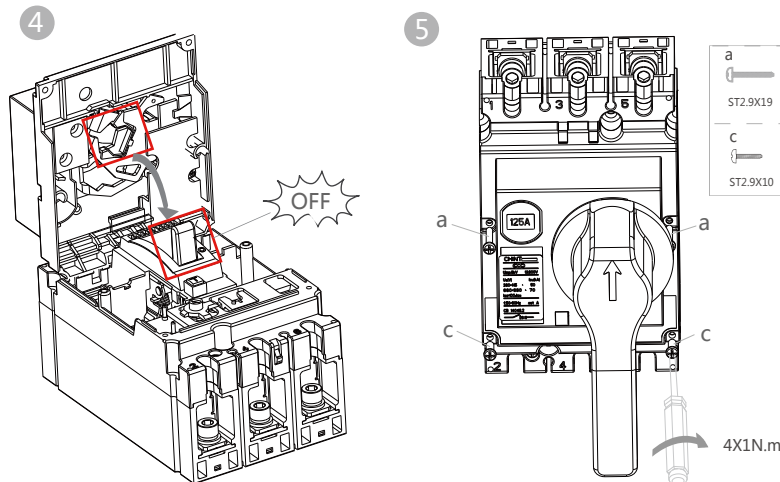
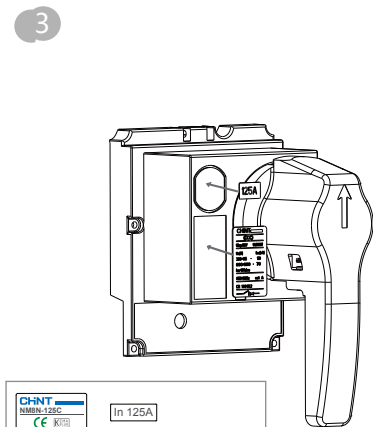
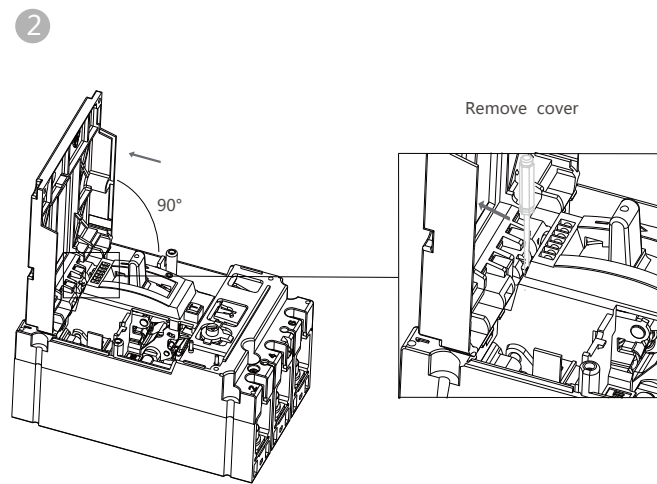
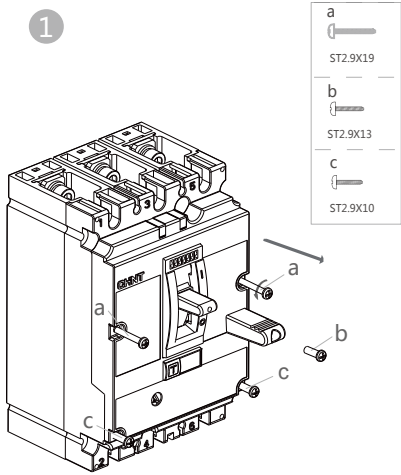
8



Installation Dimension (mm)



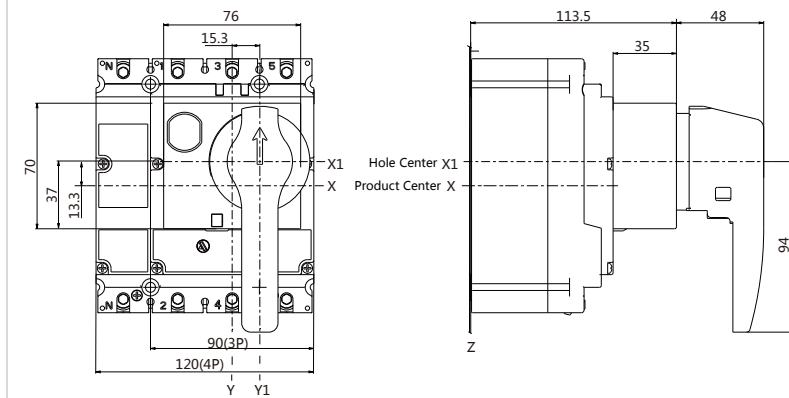
B Direct operator (DRH21-M8)



CHINT
NM8N-125C
In 125A

The nameplate has been given together with NM8N, you have to paste it by yourself

Installation Dimension (mm)



C Operating Instruction

