



## NXBLE-63YH Residual current operated circuit breaker (RCBO)

### 1. Compliant standards

IEC61009-1

### 2. Compliant certification

CE

### 3. Major function

Overload protection, short circuit protection, residual current operation

### 4. Technical parameters

Rated current: 6A, 10A, 16A, 20A, 25A, 32A, 40A, 50A, 63A;

Rated residual operating current: 0.01A, 0.03A, 0.1A, 0.3A;

Rated voltage: 1P+N, 2P: AC230V; 3P, 3P+N, 4P: AC400V

Frequency: 50Hz;

Thermal magnetic release: C, D;

Number of poles: 1P+N;2P, 3P, 3P+N,4P

Mechanical life: 20000 cycles;

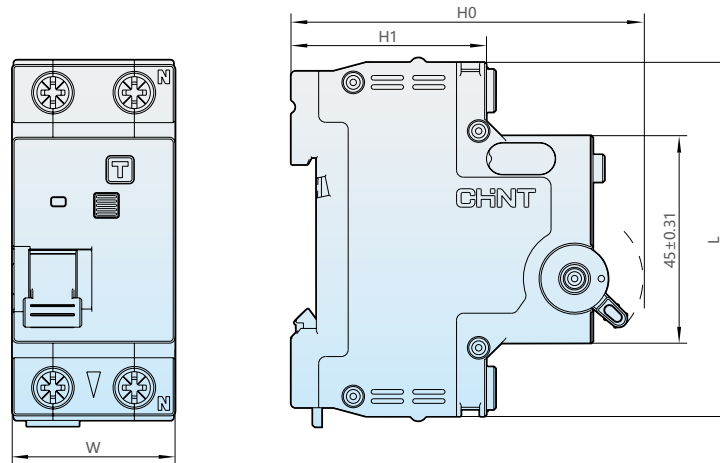
Electrical life: 10000 cycles;

Rated short-circuit breaking capacity(Icu): 6000A;

Short-circuit breaking capacity(Ics): 6000A;

Rated impulse withstand voltage(Uimp): 4kV;

### 5. Dimensions and installation sizes



Poles	Dimension (mm)			
	L	W	H0	H1
1P+N/2P	76.8±0.37	36 <sup>0</sup> <sub>-0.62</sub>	76.5 <sup>0</sup> <sub>-1.2</sub>	42.5±0.31
3P/3P+N	92.5±0.8	72 <sup>0</sup> <sub>-1.4</sub>	78±0.7	49.5±0.31
4P	92.5±0.8	90 <sup>0</sup> <sub>-1.6</sub>	78±0.7	49.5±0.31