



## NX2 Consumer Unit (Body)

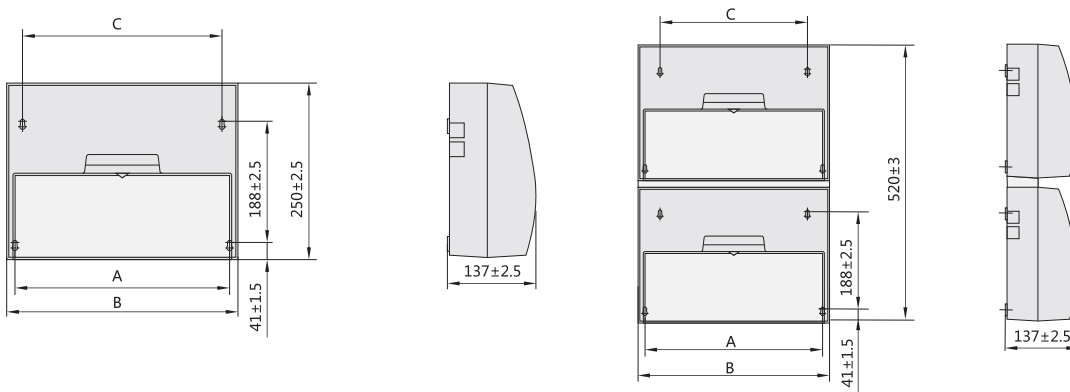
### 1. General

- 1.1 Electric ratings: up to 100A, 230V, AC50/60Hz;
- 1.2 No. Of mounted units: 8, 10, 14, 18, 28, 36;
- 1.3 On-load current (A): 100/1-phase;
- 1.4 Protection degree: IP30(after installation);
- 1.5 Standard: IEC61439-3(EN60670-24)

### 2. Features

- 2.1 The product has appearance patent.  
In addition to the standard mounting rail, a front panel for fixing is supplied.  
The shape fixing bolts are easy for fastening and loosening.
- 2.2 The interiorly mounted MCBs are in compliance with relative IEC standards, 9mm modularized electric components are available, as well.
- 2.3 On request, various circuits combinations can be assembled; and the mounting capacity of the product units can be taken to 8~36 units.
- 2.4 Convenient and reliable operation, having exposed handle, and all live parts to be mounted inside the wall box.
- 2.5 The consumer unit is designed with internal terminal blocks for connection of neutral line and protective grounding wire.
- 2.6 The enclosure of the unit is made of plastic material.

### 3. Overall and mounting dimensions (mm)



Model	A	B	C	Remark
NX2-8	194±2.5	218±2.5	144±2.5	Single-row
NX2-10	230±2.5	254±2.5	180±2.5	
NX2-14	302±2.5	326±2.5	252±2.5	
NX2-18	374±2.5	398±2.5	324±2.5	
NX2-28	302±2.5	326±2.5	252±2.5	Double-rows
NX2-36	374±2.5	398±2.5	324±2.5	