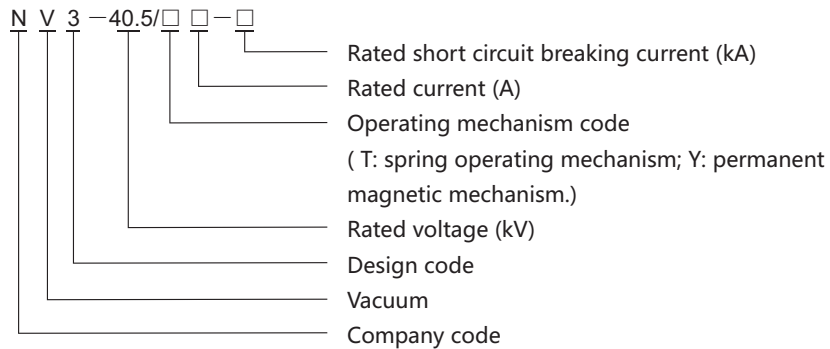


NV3-40.5/T 40.5kV Vacuum Circuit Breaker, Indoor Type

1. General

- 1.1 Ratings: Rated voltage 40.5kV, Rated current 630A~4000A, AC50Hz
- 1.2 Application: for the control and protection of substation and equipments; making and breaking short-circuit current under various operating status of electric network.
- 1.3 Standard: IEC 62271-100 IEC62271-1

2. Type and Interpretation



3. Working Condition

- 3.1 Ambient air temperature:-25~40°C
 - 3.2 Altitude: ≤1000m
 - 3.3 No operating in such places as subject to dust, dirt, smog, corrosive/flammable gas, vapor and salt pollution.
 - 3.4 Humidity: Daily average value ≤95%
Monthly average value ≤90%
 - 3.5 Water vapor pressure: Daily average value ≤2.2kPa
Monthly average value ≤1.8kPa
 - 3.6 Vibrations due to causes external to the switchgear and controlgear or earth tremors are insignificant relative to the normal operating duties of the equipment.
- ※ Note: Customized products are available on your requirements.

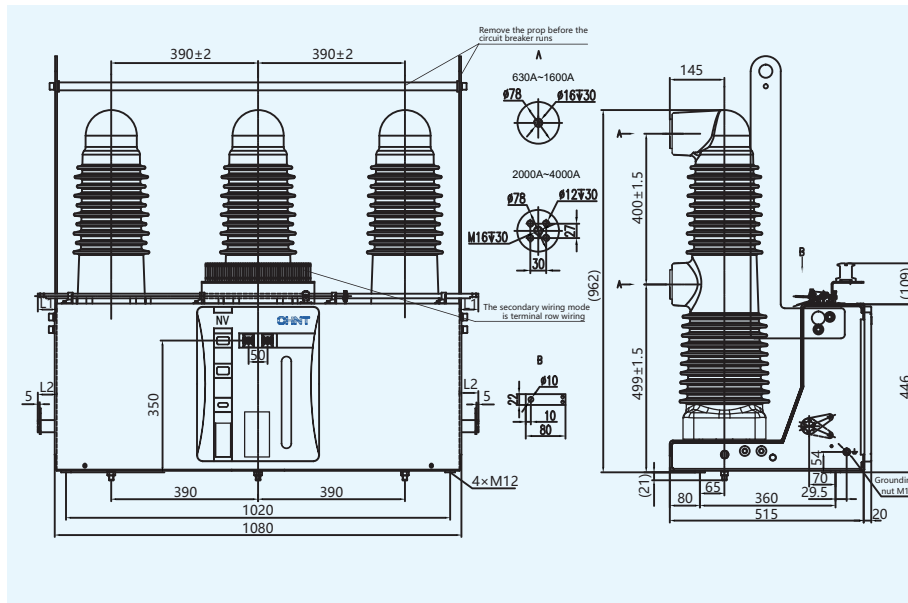
4. Main Technical Parameter

No	Item	Unit	Parameter
1	Rated voltage	kV	40.5
2	Rated power frequency withstand voltage (1min)	kV	95 / 118
3	Rated lighting impulse withstand current	kV	185 / 215
4	Peak value of TRV	kV	69.5
5	Instant recovery voltage rise	kV/μs	0.61
6	Rated frequency	Hz	50
7	Rated current	A	1250 1600 2000 2500 3150 4000
8	Rated back-to-back capacitor	A	400
9	Rated cable charging open circuit current	A	50
10	Rated short-circuit breaking current	kA	25 31.5 40
11	Rated short-circuit making current	kA	63 80 100
12	Rated short-time withstand current	kA	25 31.5 40
13	Rated withstand current (peak)	kA	63 80 100
14	Rated duration of short-circuit	s	4
15	Rated short-time breaking DC component		52%
16	Rated short-time breaking current times	Time	30
17	Rated out-of-phase breaking current	kA	7.9
18	Rated out-of-phase breaking current	kA	19.75
19	Electrical life	Level	E2
20	Mechanical life	Level	M2
21	Rated capacity movable electrical flow breakdown performance level	Level	C2
22	Rated operating sequence		O-0.3s-CO-180s-CO
23	Total breaking time	ms	≤80
24	Contact limit erosion	mm	3

NV3-40.5/T 40.5kV Vacuum Circuit Breaker, Indoor Type

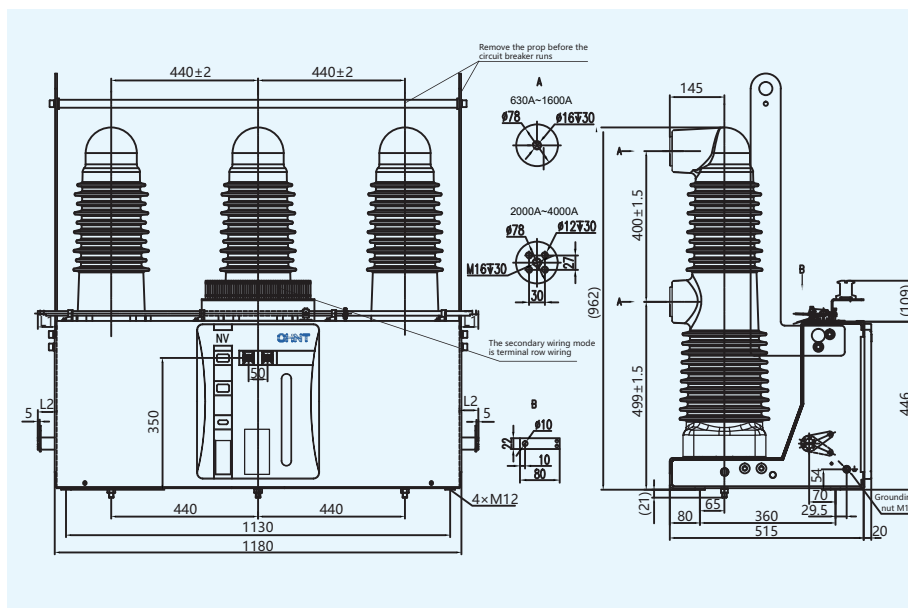
5. Overall and Installation Dimension

Overall and installation dimension of fixed type circuit breaker



Alternative parameters

Rated voltage kV	Rated current A	Rated short-circuit breaking current kA	L1 mm	L2 mm
40.5	630, 1250, 1600	25, 31.5, 40	50~120	50~120
	2000, 2500, 3150, 4000	31.5, 40		

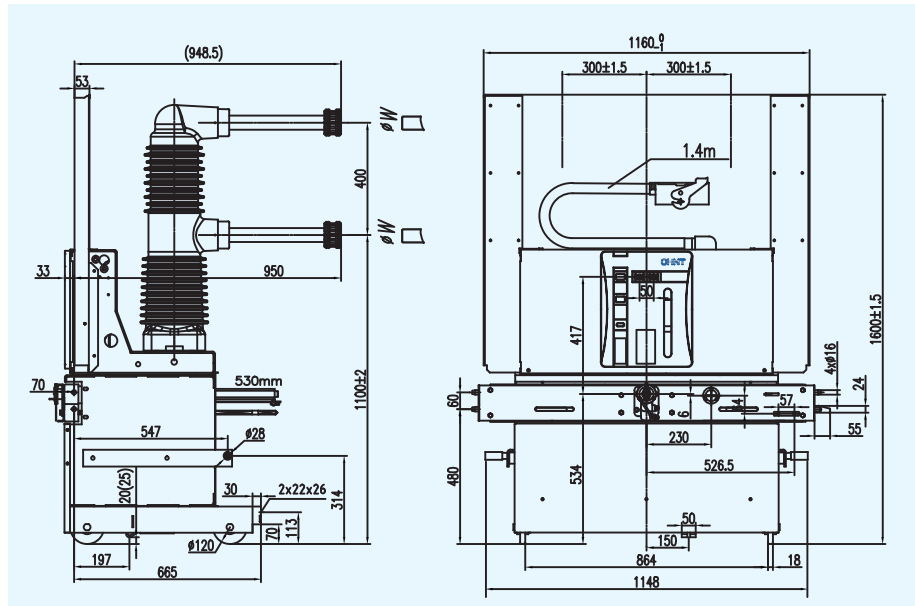


Alternative parameters

Rated voltage kV	Rated current A	Rated short-circuit breaking current kA	L1 mm	L2 mm
40.5	630, 1250, 1600	25, 31.5, 40	50~120	50~120
	2000, 2500, 3150, 4000	31.5, 40		

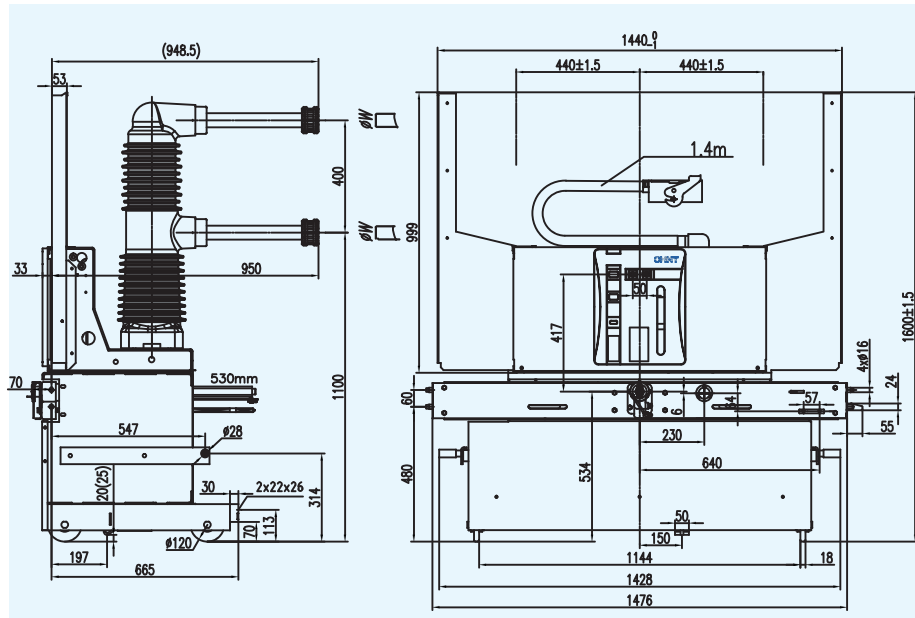
NV3-40.5/T 40.5kV Vacuum Circuit Breaker, Indoor Type

Overall and installation dimension of withdrawable circuit breaker trolley



Alternative parameters

Rated voltage kV	Rated current A	Rated short-circuit breaking current kA	W mm
40.5	630 、 1250	25、 31.5	Ø49
	1600	25、 31.5	Ø55
	2000	31.5、 40	Ø79
	2500、 3150 、 4000	31.5、 40	Ø109



Alternative parameters

Rated voltage kV	Rated current A	Rated short-circuit breaking current kA	W mm
40.5	630 、 1250	25、 31.5	Ø49
	1600	25、 31.5	Ø55
	2000	31.5、 40	Ø79
	2500、 3150 、 4000	31.5、 40	Ø109

4. Ordering Information

Please indicate the following items when order

- 4.1 Type, name and quantity.
- 4.2 Rated voltage, rated current and rated short-circuit breaking current.
- 4.3 Motor of spring operating mechanism, voltage of making and breaking coil.
- 4.4 Way of installation.
- 4.5 Name and quantity of spare parts.
- 4.6 Customized products are available per your requirements.