

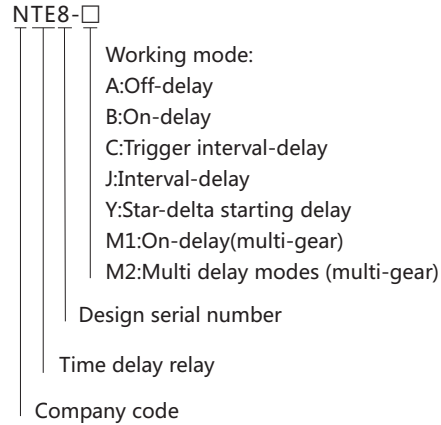


NTE8 Time Delay Relay

1. General

NTE8 series time relay is mainly used as the time control element to connect or disconnect the circuits according to the predetermined time in control circuits with AC 50Hz/60Hz, rated control power voltage up to 415V and DC rated control power voltage up to 24V.

2. Type designation

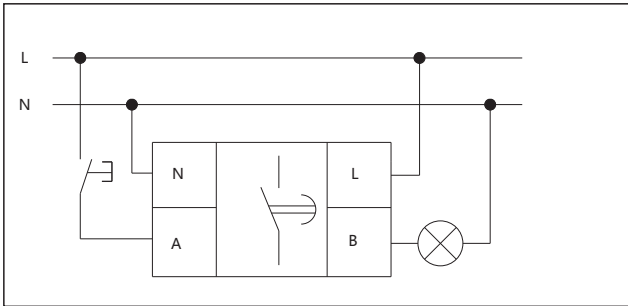


3. Technical data

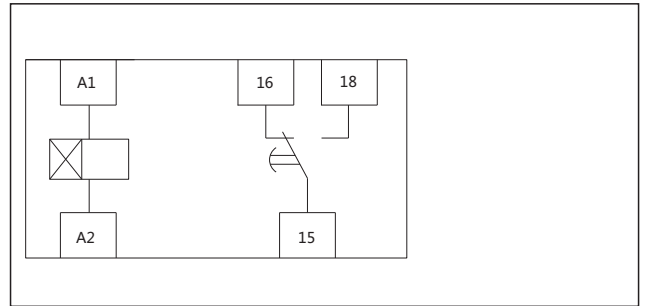
Type	NTE8-A	NTE8-B	NTE8-J	NTE8-C	NTE8-Y	NTE8-M1	NTE8-M2
Operational voltage Us	AC24V, AC110V, AC220V, AC230V, AC240V, AC380V, AC400V, AC415V, DC24V			AC110V, AC220V, AC230V, AC240V	AC220V, AC230V, AC240V, AC380V, AC400V, AC415V	AC36V, AC110V, AC220V, AC230V, AC240V, AC380V, AC400V, AC415V, DC24	AC110V, AC220V, AC230V, AC240V, AC380V, AC400V, AC415V, DC24V
Working mode	Off-delay	On-delay	Interval-delay	Trigger interval-delay	Star-delta starting delay	On-delay (multi-gear)	Multi delay modes (multi-gear)
Delay range	0.1s~5s 1s~10s 3s~30s 6s~60s 12s~120s 18s~180s 36s~360s 48s~480s 0.5min~5min 1min~10min 3min~30min 6min~60min 12min~120min 18min~180min 36min~360min 48min~480min			0.5min~20min	0.5s~5s 1s~10s 3s~30s 6s~60s 0.2min~2min 0.3min~3min 0.5min~5min 1min~10min 2min~20min (Star delta conversion 20ms~300ms)	0.1s~1s 1s~10s 0.1min~1min 1min~10min 0.1h~1h 1h~10h 0.1d~1d 1d~10d (multi-gear)	0.1s~1s 1s~10s 10s~100s 1min~10min 10min~100min 1h~10h 10h~100h (multi-gear)
Number of contacts	1 NO	1 changeover		1 NO	2 NO	1 changeover	
Contact capacity	Ue/Ie : AC-15:AC240V/0.75A, AC415V/0.47A; DC-13: DC220V/0.27A; Ith : 5A			Ue/Ie : AC-15: AC240V/3A, AC415V/1.9A; DC-13: DC24V/1.1A; Ith : 10A	Ue/Ie : AC-15:AC240V/0.75A, AC415V/0.47A; DC-13: DC220V/0.27A; Ith : 5A		
Installation method	Guide rail type						
Setting error	≤10%						
Repetitive error	≤1%						
Reset time	≤1s						
Electrical life	100,000						
Mechanical life	1000,000						
Ambient temperature	-5°C ~ +40°C						

4.Wiring diag

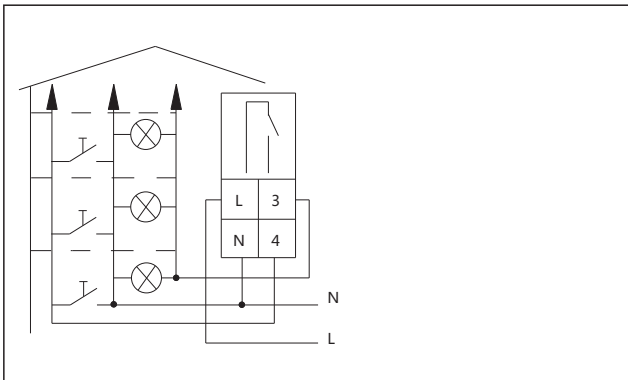
NTE8-A



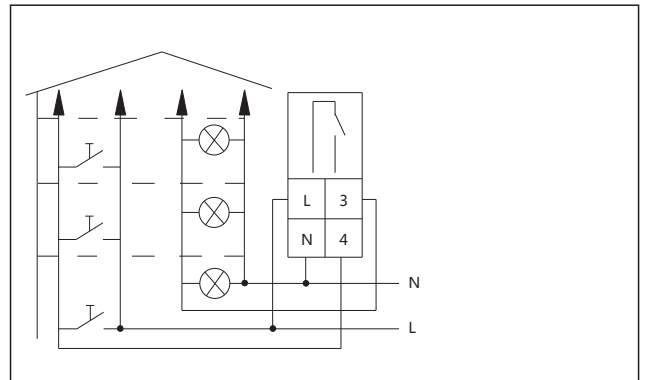
NTE8-B/M1



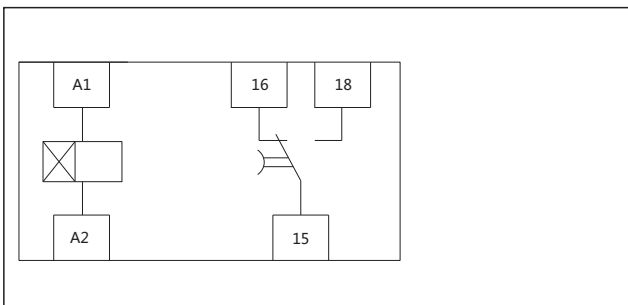
NTE8-C(3 wires)



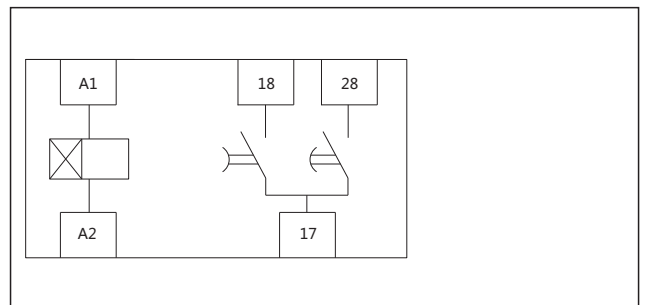
NTE8-C(4 wires)



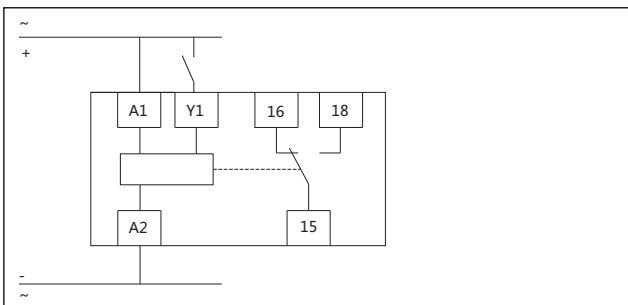
NTE8-J



NTE8-Y



NTE8-M2



5. Overall and mounting dimensions (mm)

