

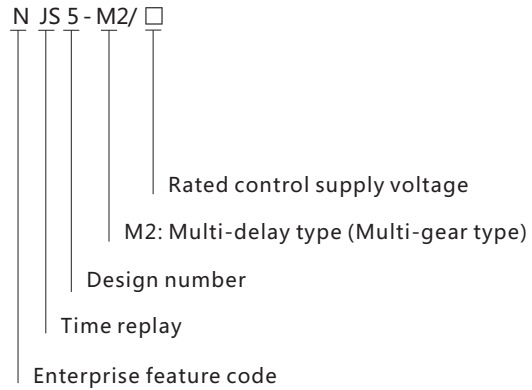


## NJS5-M2 Time Relay

### 1. General

NJS5-M2 time relay mainly applies to control circuits with 50Hz/60Hz AC rated control supply voltage to 400V and DC rated control supply voltage to 24V as time control element, to connect or disconnect circuit by scheduled time.

### 2. Type designation

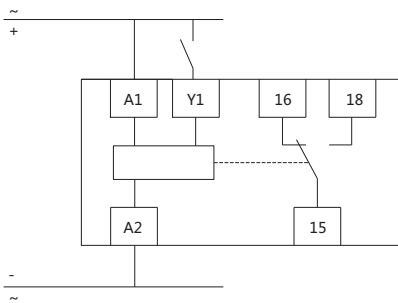


### 3. Technical data

Product model	NJS5-M2
Working mode	On-delay, off-delay, interval delay, off-delay/interval delay, equal period cyclical delay (ON start), equal period cyclical delay (OFF start), Trigger/interval delay, 7 adjustable gears
Rated control supply voltage	AC110V, AC220V, AC230V, AC240V, AC380V, AC400V, DC24V
Quantity of contacts	Delay 1 conversion
Contact capacity	1s, 10s, 100s, 10min, 100min, 10h, 100h (Multiple adjustable gears)
Electrical life	Ue/Ie: AC-15 220V/0.75A, 380V/0.47A; DC-13 220V/0.27A; Ith: 5A
Mechanical life	1 × 10 <sup>5</sup>
Delay specification	1 × 10 <sup>6</sup>
Ambient temperature	-5°C ~ +40°C
Installation method	Guide rail type or device type

### 4. Wiring diagram

NJS5-M2 wiring diagram



## 5. Overall and mounting dimensions (mm)

NJS5-M2 dimensions

