



NJDC-17

Small Electromagnetic Relay with Test Button

1. General

2Z, 2ZS, 3ZS, 4ZS contact forms; with self-locking test button; transparent dust cover package, diverse mounting modes available; equipped with a variety of sockets options; optional with the specifications of the status indicator.



2. Operating conditions

Temperature Range	-25°C~+55°C
Relative humidity	90% RH at +20°C
Atmospheric pressure	86kPa~106kPa
Working position	Any

3. Technical data

3.1 Contact parameters

Contact form	2Z(C), 3Z(C), 4Z(C)
Initial contact resistance	100mΩ
Contact Material	Ag alloy
Contact load (COSΦ = 1.0)	2Z : 10A ; 2ZS, 3ZS : 5A ; 4ZS : 3A(220VAC/28VDC)
Maximum switching voltage	250VAC/125VDC
Maximum switching current	2Z : 10A ; 2ZS, 3ZS : 5A ; 4ZS : 3A
Maximum switching power	2Z: 2200VA/280W
	2ZS, 3ZS : 1100VA/140W
	4ZS : 660VA/84W
Electrical life (times)	1×10 ⁵ (See safety certification report)
Mechanical life (times)	1×10 ⁷

3.2 Performance, and characteristic parameter

Insulation Resistance		100MΩ(500VDC)
Dielectric Strength	Contact and coil	1500VAC
	Between open contacts	500VAC
Action time		≤25ms
Release time		≤25ms
Shock (stability)		Acceleration 100m/s ² , pulse duration of 11ms
Vibration		Double amplitude of 1 mm (10~ 55) Hz
Terminal form		Pluggable PCB type
Outside dimensions (mm)		27.5×21.5×35.5

3.3 Coil parameters

Rated power consumption	0.9W 1.8VA
Pull-in voltage	DC: ≤ 75% rated voltage; AC: ≤ 80% of rated voltage
Release voltage	DC: ≥ 10% rated voltage; AC: ≥ 20% of rated voltage
Maximum voltage	110% rated voltage

3.4 Specifications

Rated voltage VDC	Action voltage VDC (≤)	Release Voltage VDC (≥)	Coil resistance Ω ± 10%
5	3.75	0.5	28
6	4.5	0.6	40
12	9.0	1.2	160
24	18.0	2.4	640
36	27.0	3.6	1440
48	36.0	4.8	1900
110	82.5	11.0	14500
127	95.3	12.7	18000
220	165.0	22.0	39000

Rated voltage VAC	Action voltage VAC (≤)	Release Voltage VAC (≥)	Coil resistance ±10%
6	4.8	1.2	10.5
12	9.6	2.4	44
24	19.2	4.8	160
36	28.8	7.2	380
48	38.4	9.6	650
110	88.0	22	3300
127	101.6	25.4	4100
220	176.0	44	14500
380	304.0	72	39000

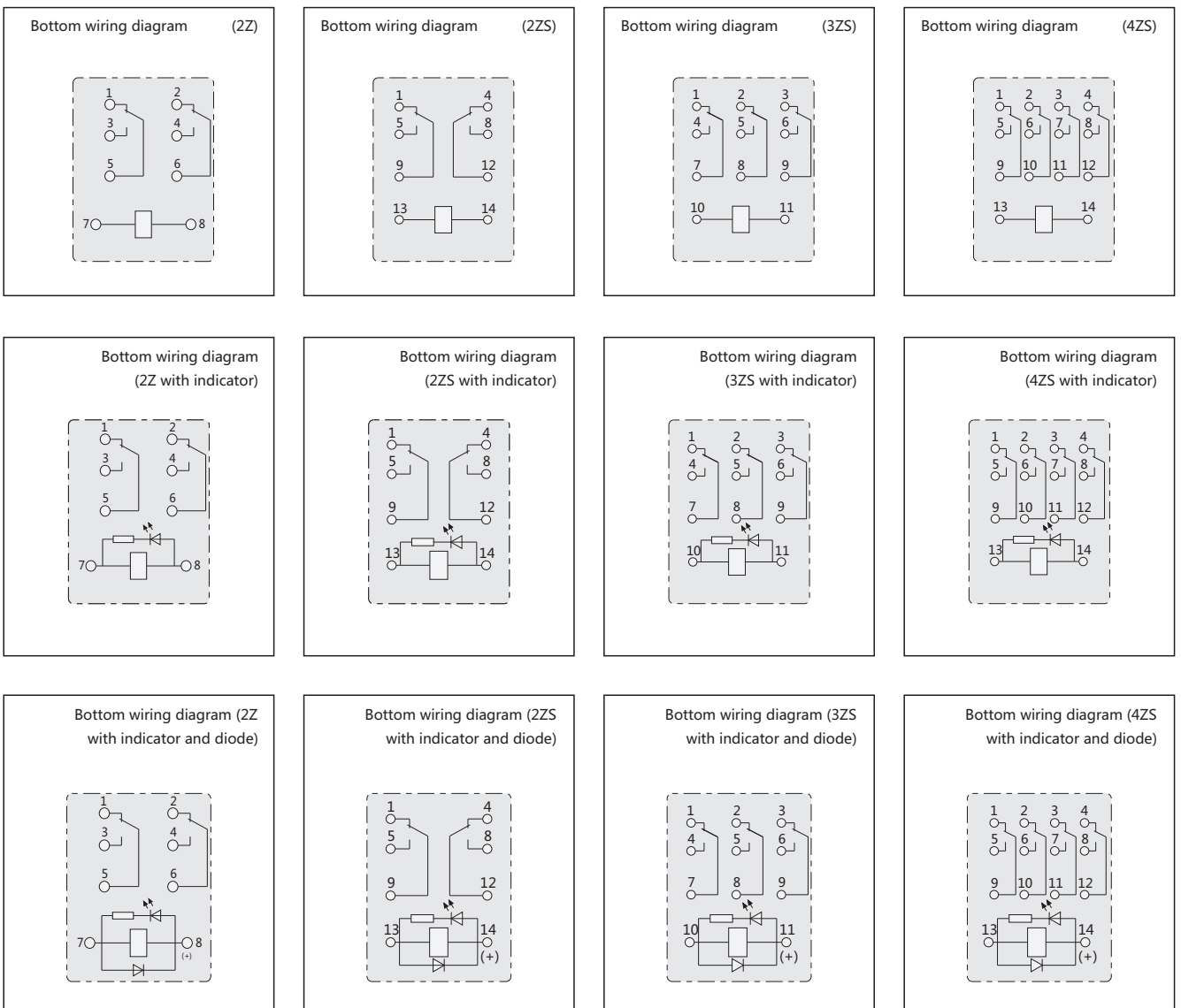
Note: The coil temperature parameter is value in 20°C

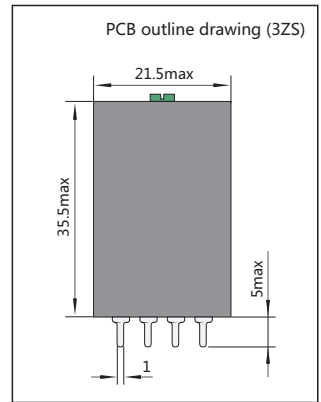
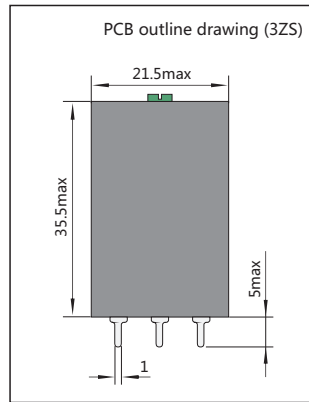
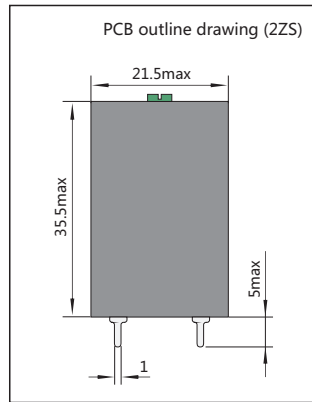
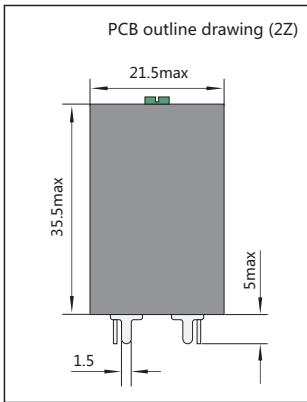
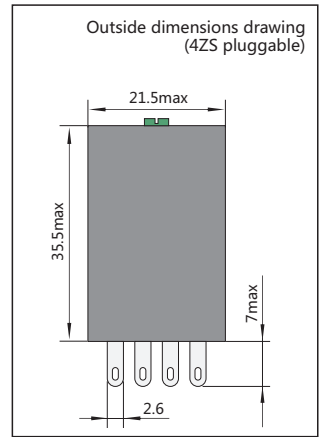
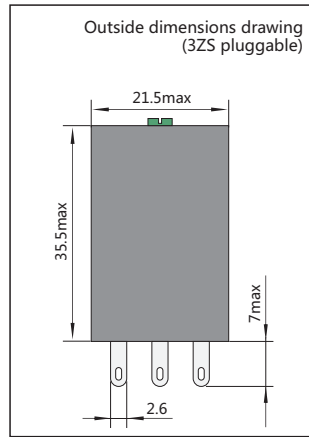
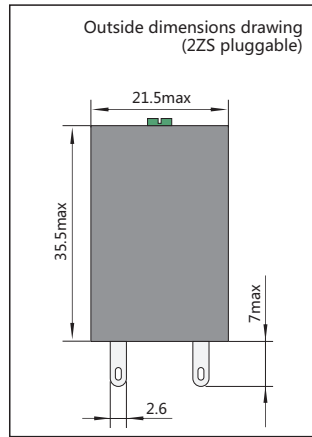
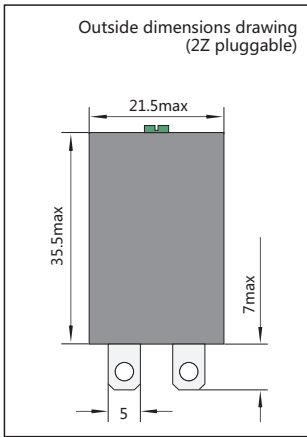
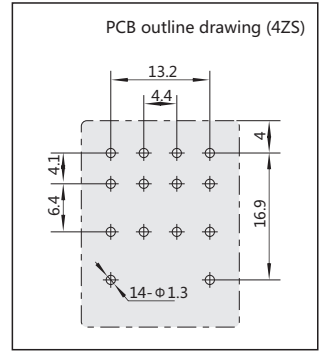
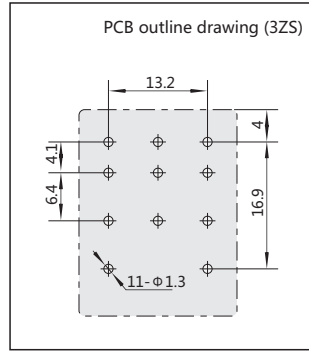
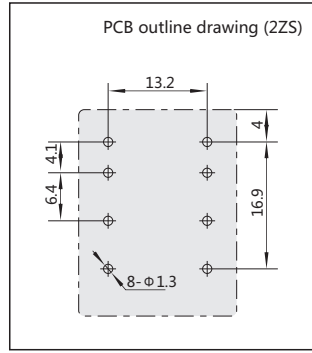
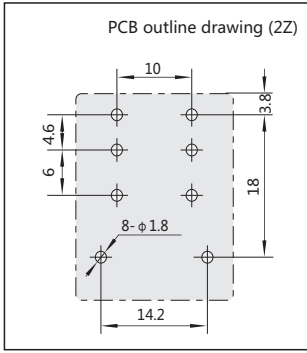
4. Other

Supporting socket (alternative)

Relay Model	NJDC-17(D)/2Z			
Model of equipped socket	CZT08A-E	CZT08A-02	CZT08B-01	CZT08B-01E
Socket Dimensions (mm)	79×29×33	72×23×31	68×30×28	68×30×28
Socket lead form	Screw-type terminals (device type, rail)			
Relay Mode	NJDC-17(D)/2ZS			
Model of equipped socket	CZY08A-E	CZY08B-01		
Socket Dimensions (mm)	72×23×31	63×30.5×26		
Socket lead form	I	Screw-type terminals (device type, rail)		
Relay Mode	NJDC-17(D)/3ZS			
Model of equipped socket	CZY11A-E	CZY11B		
Socket Dimensions (mm)	72×30×31	63×30.5×26		
Socket lead form	I	Screw-type terminals (device type, rail)		
Relay Mode	NJDC-17(D)/4ZS			
Model of equipped socket	CZY14A-E	CZY14B	CZY14B-E	
Socket Dimensions (mm)	72×30×31	63×30.5×26	63×30.5×26	
Socket lead form	I	Screw-type terminals (device type, rail)		

5. Outside shape and mounting dimensions





6 Ordering Information

