



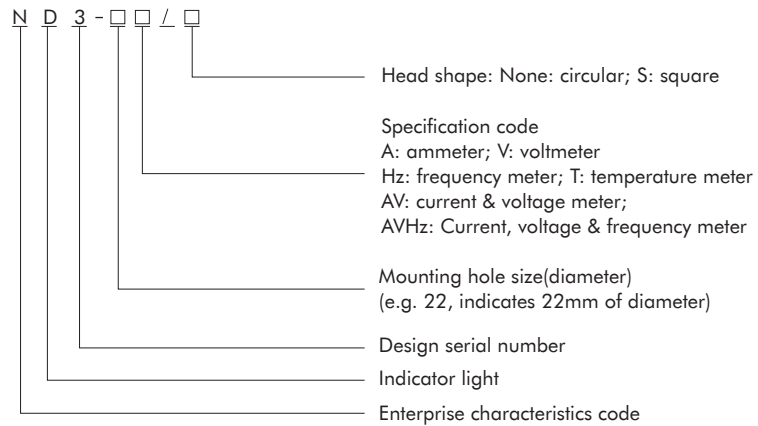
ND3 Series Digital Indicator Light

1. The purpose of use

1.1 ND3 series of digital indicator lights convert the analog signal in the process control system into a digital display to indicate various parameters of the signal, measurement and monitoring in the system. The product can indicate, measure and monitor the current, voltage, frequency, and temperature parameters. The products comply with the standard of IEC60947-5-1.

1.2 Standard: The product comply with IEC60947-5-1.

2. Type Specification and Definitions



Note: 5 kinds of indicating color can be selected: red, yellow, green, blue, white

3. Technical parameters

Rated operating voltage U_e (V)	AC50V~AC500V
Rated operating current I_e (mA)	≤50mA
Rated insulation voltage U_i (V)	660V
Rated impulse withstand voltage U_{imp} (kV)	2.5 kV
LED life span(h)	≥30000h
IP degree (head)	IP53 (circular) IP50 (square)
Allowable voltage fluctuation range	±10%
Voltage measurement range and accuracy	AC50V±2%~AC500V±2%
Current measurement range and accuracy	AC 0-100A(< 50A±1A, ≥50A±2%)
Frequency measurement range and accuracy	50Hz±2%~60Hz±2%
Temperature measurement range and accuracy	-20°C ±3°C ~199°C ±3°C
Normal operating temperature	-25°C ~ 70°C
Average temperature	No more than 35°C within 24h
Humidity	When the maximum temperature is 40°C, the relative humidity of the air does not exceed 50%
Altitude (m)	≤2000m
Pollution degree	3
Installation category	II
Installation conditions	Under the safety conditions, the installation area should be equipped with rain, snow and steam prevention facilities, and the signal light should be installed in a place with no significant shaking, shock and vibration and no conductive dust.
Transportation and storage conditions	The applicable temperature range for transport and storage is between -25°C to 70°C. The storage area shall be ventilated, dry and protected from rain, snow and direct sunlight.

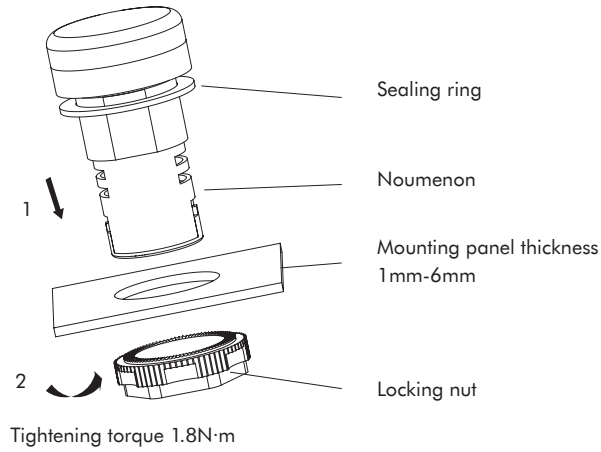
• Notice: This product is forbidden to be used in VFDs, inverters, and power environments with higher harmonic interference.

4. Specific model and detailed information

Shape	Description	Model type	Color	Main parameters	Dimensions
	Voltmeter	ND3-22V	<ul style="list-style-type: none"> ○ ● ● ● ● ● 	Ue:AC50V~AC500V In:≤ 50mA Measuring range:AC50V~AC500V	
	Ammeter	ND3-22A	<ul style="list-style-type: none"> ○ ● ● ● ● ● 	Ue:AC50V~AC500V In:≤ 50mA Measuring range:0-100A	
	Temperature meter	ND3-22T	<ul style="list-style-type: none"> ○ ● ● ● ● ● 	Ue:AC50V~AC500V In:≤ 50mA Measuring range:-20 °C ~199 °C	
	Current voltage meter	ND3-22AV	<ul style="list-style-type: none"> ○ ● ● ● ● ● 	Ue:AC50V~AC500V In:≤ 50mA Measuring range:0-100A Measuring range: AC50V~AC500V	
	Voltmeter	ND3-22V/S	<ul style="list-style-type: none"> ○ ● ● ● ● ● 	Ue:AC50V~AC500V In:≤50mA Measuring range:AC50V~AC500V	
	Ammeter	ND3-22A/S	<ul style="list-style-type: none"> ○ ● ● ● ● ● 	Ue : AC50V~AC500V In : ≤ 50mA Measuring range:0-100A	
	Temperature meter	ND3-22T/S	<ul style="list-style-type: none"> ○ ● ● ● ● ● 	Ue:AC50V~AC500V In :≤ 50mA Measuring range:-20 °C ~199 °C	
	Current voltage meter	ND3-22AV/S	<ul style="list-style-type: none"> ○ ● ● ● ● ● 	Ue:AC50V~AC500V In:≤ 50mA Measuring range:0-100A Measuring range:AC50V~AC500V	
	Current,voltage meter & frequency	ND3-22AVHz/S	<ul style="list-style-type: none"> ○ ● ● ● ● ● 	Ue: AC50V~AC500V In : ≤50mA Measuring range: 0~100A Measuring range: AC50V~AC500V Measuring range: 50Hz~60Hz	

5. Installation and operations

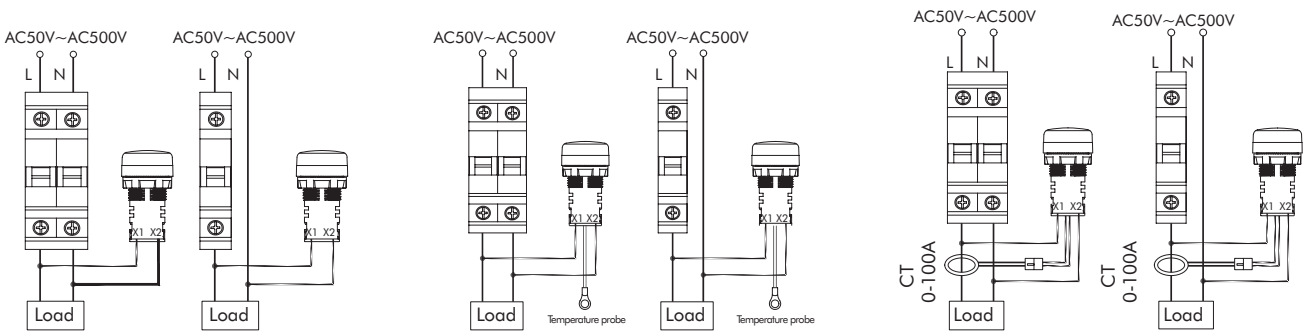
5.1 Product installation introduction



5.2 Wiring and tightening torque selection

Terminal tightening torque N.m	Cable (hard)mm ²	Cable (soft)mm ²	Remark
			1.Use hard or flexible cable for single wires connection 2.A terminal can be connected with two cables of same cross section or same type. 3.The strip length is 8mm
M3.5(0.8)	2×(0.5-1.0)	2×(0.5-1.0)	

5.3 Wiring diagram



ND3-22V, ND3-22V/S wiring diagram

ND 3-22T,ND 3-22T/S wiring diagram

ND3-22A, ND3-22A/S, ND3-22AV/S,
ND3-22AV,ND3-22AVHz/S wiring diagram

6. Ordering Information

When ordering, please specify the model specifications, the color and quantity, such as: ND3-22A red 20pcs; ND3-22AVHz/S yellow 20pcs .