

NB2-80ZT Miniature Circuit Breaker With Remote
Control Function

User Instruction

英文使用说明书

0463B1657

01

浙江正泰电器股份有限公司

2023 年 4 月

设计文件名称	使用说明书	0463B1657	
产品型号、名称	NB2-80ZT 具有远程控制功能的小型断路器	版 本	01
		共 16 页	第 1 页

 **Safety Warning**

1) It is strictly prohibited to install the product in an environment containing flammable and explosive gases, wet condensation, and wet hand operation.

2) It is forbidden to touch the conductive part of the product during the operation of the product.

3) It is forbidden to test the product performance by using the method that the live wire directly touches the grounding device, or the live wire is directly shorted to the neutral wire.

4) When installing, repairing and maintaining the product, it is necessary to ensure that the circuit is powered off.

5) The protection characteristics of the product shall be set by the manufacturer, and it is not allowed to disassemble or adjust at will.

6) The product must be wired and installed by qualified personnel, and checked regularly.

7) Children are not allowed to play with products or packaging.

8) Foreign matters shall be prevented from falling into the product.

9) Do not install it where the gas medium can corrode metal and damage insulation.

10) When the product is installed and used, the wiring screws should be tightened, and the wires are not easy to loosen and pull out. The wires should be selected strictly according to the requirements and matched with the required power supply and load.

11) This product cannot protect the electric shock hazard caused by contacting two wires of the protected circuit at the same time.

12) Please strictly install the wiring diagram for correct wiring of this product.

13) This product is not suitable for direct starting of high inductive and capacitive loads such as fans, motors, electric heating equipment and capacitor cabinets.

1 Main purpose and scope of application

This product is applicable to the circuit with AC 50Hz, rated voltage of 230V/400V and rated current of 80A. It plays the role of overload, short circuit, overvoltage, undervoltage and leakage protection, and can also be used for infrequent connection and disconnection of the circuit under normal conditions.

The product also has remote control, electrical parameter (voltage, current, power) measurement functions, and can be networked with external devices through RS485 communication interface or Bluetooth.

					编 制		
					校 对		
					标 准 化		
					审 定		
标 记	处 数	更改文件号	签 字	日 期	批 准		

设计文件名称	使用说明书	0463B1657	
产品型号、名称	NB2-80ZT 具有远程控制功能的小型断路器	版本	01
		共 16 页	第 2 页

2 Normal use, installation, transportation and storage conditions

2.1 Service conditions:

- Working environment temperature: - 25 °C~+70 °C, and the average working temperature for 24 hours shall not exceed+35 °C;

- Altitude: the altitude of the installation site shall not exceed 2000m;

- Pollution level: Level 2;

- Protection grade: IP20;

- Installation category: Class II.

2.2 Installation conditions:

The circuit breaker shall be installed vertically without obvious shaking, shock and vibration under the conditions of meeting safety warnings.

2.3 Transportation and storage conditions:

the circuit breaker shall not fall or be attacked by rain or corrosive gas during storage and transportation.

3 Main technical parameters

3.1 Main technical performance indicators

Table 1 Main Technical Performance Indexes

S/N	Parameters or performance	Parameter value or performance value
1	Product model	ZT: with RS485 communication;ZW: with RS485 and Bluetooth communication
2	Compliance with standards	IEC/EN 60898-1
3	Rated voltage (Ue)	1P+N: AC230V; 3P+N: AC400V
4	Rated current (In)	6A、10A、16A、20A、25A、32A、40A、50A、63A、80A
5	Number of poles	1P+N、3P+N
6	Instantaneous tripping curve	C
7	Rated short-circuit capacity (Icn)	6000A

标记	处数	更改文件号	签字	日期					

设计文件名称	使用说明书	0463B1657	
产品型号、名称	NB2-80ZT 具有远程控制功能的小型断路器	版本	01
		共 16 页	第 3 页

8	Operating short-circuit breaking capacity (Ics)	6000A	
9	Electrical life	6000 times	
10	Mechanical life	10000 times	
11	Reference temperature	30 °C ± 2 °C	
12	Remote control	Closing time (tc)	≤ 3s
		Opening time (to)	≤ 2s
13	Overvoltage protection (can be opened and closed)	Setting value of overvoltage action (Uvo)	The default value is AC280V ± 5V, which can be set
		Overvoltage recovery value (Uvor)	The default value is AC250V, which can be set
		Minimum non driving time of overvoltage	The default value is 3s, which can be set in the third column of Table 2
		Automatic closing delay time after voltage returns to normal (tvd)	The default value is 10s, which can be set
14	Under voltage protection (can be opened and closed)	Under voltage action setting value (Uvu)	The default value is AC165V ± 5V, which can be set
		Undervoltage recovery value (Uvur)	The default value is AC190V, which can be set
		Minimum under voltage non driving time	The default value is 3s, which can be set
		Automatic closing delay time after voltage returns to normal (tvd)	The default value is 10s, which can be set
15	Electrical parameter Accuracy	Voltage	Grade 0.5
		electric current	Grade 0.5
		power	Level 1.0
Note: "Can be opened or closed" means that the function can be set to be opened or closed.			

标记	处数	更改文件号	签字	日期					

设计文件名称	使用说明书	0463B1657	
产品型号、名称	NB2-80ZT 具有远程控制功能的小型断路器	版本	01
		共 16 页	第 4 页

Table 2 Maximum Action Time and Minimum Non Drive Time of Overvoltage

1	2	3	4
Overvoltage action characteristics	$\leq U_{vor}$	U_{vo}	$\geq 300V$
Maximum action time	I_{action}	5s	3s
Minimum non driving time		3s	1s

3.2 Basic error of voltage and current measurement

Table 3 Basic error limits of current under reference voltage

Direct input current value	Percentage error limit	
	Grade 0.5	Level 1.0
$1A \leq I < 0.1I_n$	$\pm 1.0\%$	$\pm 1.5\%$
$0.1I_n \leq I \leq I_n$	$\pm 0.5\%$	$\pm 1.0\%$

Table 4 Basic Error Limits of Voltage

Direct input voltage value	Percentage error limit	
	Grade 0.5	Level 1.0
$0.9U_e \leq U \leq 1.1U_e$	$\pm 0.5\%$	$\pm 1.0\%$

4 Communication function

4.1 Communication interface

The circuit breaker has one RS485 communication interface and Bluetooth interface.

RS485 interface:

-Support baud rate 1200,2400,4800,9600,19200,115200;

-Verification method: no verification/even verification;

-Default configuration: 19200, even parity check.

Bluetooth interface:

标记	处数	更改文件号	签字	日期					

设计文件名称	使用说明书	0463B1657	
产品型号、名称	NB2-80ZT 具有远程控制功能的小型断路器	版本	01
		共 16 页	第 5 页

-Comply with BLE4.2 standard;

-As a Bluetooth slave, the circuit breaker supports the connection of up to two Bluetooth hosts at the same time.

4.2 communication protocol

The circuit breaker adopts Modbus RTU communication protocol. The default communication address of the circuit breaker is 03, which conforms to the national standard GB/T 19582.

5 Remote control function

When the mode selection switch is set to the "Manual" position, normal manual closing and opening can be performed, and at the same time, the remote closing and opening control functions exit.

When the mode selection switch is set to the "Automatic" position, normal remote closing and opening can be performed. When the circuit breaker is in the closing state, it shall be opened after receiving the remote opening command, and the moving contact is in the open position. At this time, it can be closed and opened manually. When the circuit breaker is in the opening state, the circuit breaker shall be closed after receiving the remote closing command. At this time, it can be opened and closed manually.

Regardless of whether the mode selection switch is set to the "Manual" or "Automatic" position, when the circuit breaker receives the command of remote closing not allowed, the circuit breaker will be in the opening and not allowing closing state, and at this time, manual or remote control cannot be closed. Only when the circuit breaker receives the command of remote closing allowed, the circuit breaker will be in the opening and allowing closing state, and at this time, manual or remote control can be closed.

See Table 5 for the control signal and action status of the circuit breaker.

Table 5 Control Signal and Status Control Table of Circuit Breaker

S/N	Mode selection switch position	Phase line voltage	control signal	Initial state	Status after action	remarks
1	automatic	Ue	Send closing command	Opening and allowing closing	Closing	
2	automatic	Ue	nothing	Closing	Opening and allowing closing	Manual opening

标记	处数	更改文件号	签字	日期				

设计文件名称	使用说明书	0463B1657	
产品型号、名称	NB2-80ZT 具有远程控制功能的小型断路器	版本	01
		共 16 页	第 6 页

3	automatic	Ue	nothing	Opening and allowing closing	Closing	Manual closing
4	automatic	Ue	Send the opening command	Closing	Opening and allowing closing	
5	Automatic or manual	Ue	Send the command of not allowing closing	Opening and allowing closing	Opening and not allowing closing	
				Closing	Opening and not allowing closing	
6	Automatic or manual	Ue	nothing	Opening and not allowing closing	Opening and not allowing closing	Unable to close manually
7	automatic	Ue	Send closing command	Opening and not allowing closing	Opening and not allowing closing	Remote control fails to close
8	Automatic or manual	Ue	Send the command of allowing closing	Opening and not allowing closing	Opening and allowing closing	
9	automatic	Ue→0V	nothing	Opening and allowing closing	Opening and allowing closing	The line is powered down and remains in the original state
				Opening and not allowing closing	Opening and not allowing closing	
				Closing	Closing	
10	Automatic or manual	Ue	nothing	Closing	Opening and allowing closing	In case of overload, short circuit and other faults, the circuit breaker acts to open

标记	处数	更改文件号	签字	日期					

设计文件名称	使用说明书	0463B1657	
产品型号、名称	NB2-80ZT 具有远程控制功能的小型断路器	版本	01
		共 16 页	第 7 页

11	Automatic or manual	$U_e \rightarrow \geq U_{vo}$ or $U_e \rightarrow \leq U_{vu}$	nothing	Closing	Opening and allowing closing	In case of overvoltage/undervoltage fault, the circuit breaker acts to open. If the overvoltage/undervoltage fault occurs 3 times continuously within 10 minutes, it will enter the opening/not allowing closing state
12	automatic	$\geq U_{vo} \rightarrow U_{vor}$ Or $\leq U_{vu} \rightarrow U_{vur}$	nothing	Opening and allowing closing	Closing	Following No. 11, when the power supply voltage recovers, the circuit breaker automatically closes
13	Manual	U_e	Send closing command	Opening and allowing closing	Opening and allowing closing	Remote control fails to close

标记	处数	更改文件号	签字	日期					

设计文件名称	使用说明书	0463B1657	
产品型号、名称	NB2-80ZT 具有远程控制功能的小型断路器	版本	01
		共 16 页	第 8 页

14	Manual	Ue	Send the opening command	Closing	Closing	Remote control fails to open
15	Auto → Manual	Ue or 0 V	nothing	Opening and allowing closing	Opening and allowing closing	Keep the original state
	or Manual → Automatic			Opening and not allowing closing	Opening and not allowing closing	
	Closing			Closing		

6 Indicator status

The front of the circuit breaker is equipped with indicator lights to indicate different states, as shown in Table 6.

Table 6 Status of Mode Selection Switch Indicator

Status of circuit breaker after energization	Indicator light display
The mode selector switch is set to the "Manual" position	Always bright blue
The mode selector switch is set to the "Automatic" position	Red is always on
Overload, overvoltage and undervoltage faults	Flashing red
After tripping due to overload, overvoltage, undervoltage, phase failure and underfrequency fault	Flashing red

标记	处数	更改文件号	签字	日期					

设计文件名称	使用说明书	0463B1657	
产品型号、名称	NB2-80ZT 具有远程控制功能的小型断路器	版本	01
		共 16 页	第 9 页

7 Outline and installation dimensions

■ Overall dimensions (unit: mm)

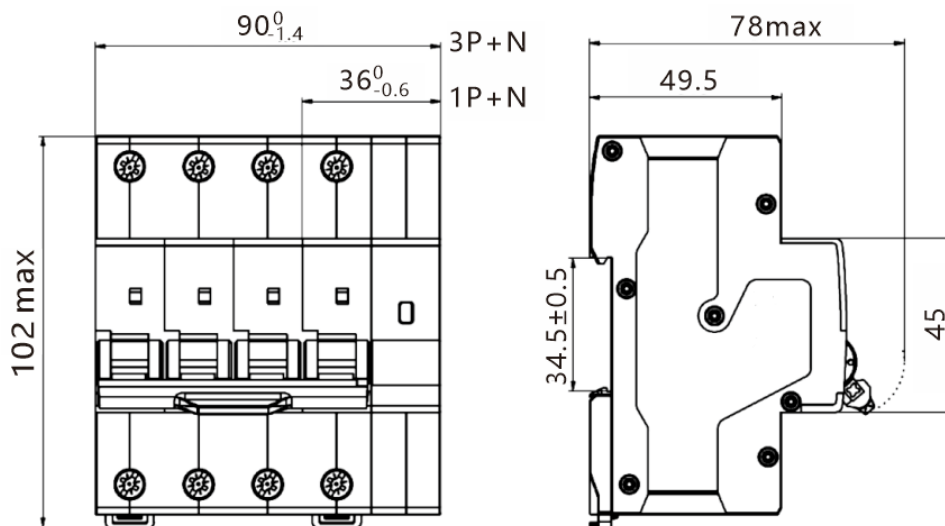


Figure 1 Boundary Dimensions of Circuit Breaker

■ Communication port

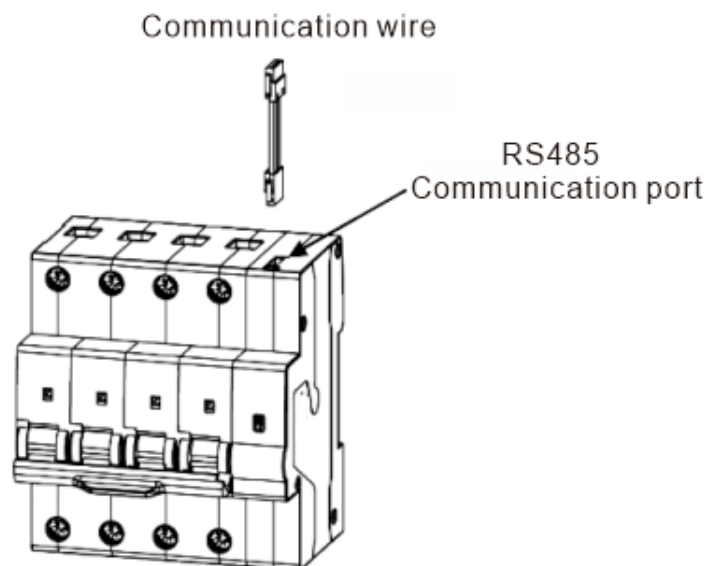


Figure 2 Installation Position of Communication Interface

标记	处数	更改文件号	签字	日期					

设计文件名称	使用说明书	0463B1657	
产品型号、名称	NB2-80ZT 具有远程控制功能的小型断路器	版本	01
		共 16 页	第 10 页

8 Installation, commissioning and operation

8.1 Before installation and use: check whether the circuit breaker mark is consistent with the working conditions used; Before power on, the circuit breaker shall be operated several times, and its mechanism action shall be flexible, reliable, and free of blocking. See Figure 3 for the circuit breaker closing/opening status indication and the "Automatic"/"Manual" position of the mode selection switch.

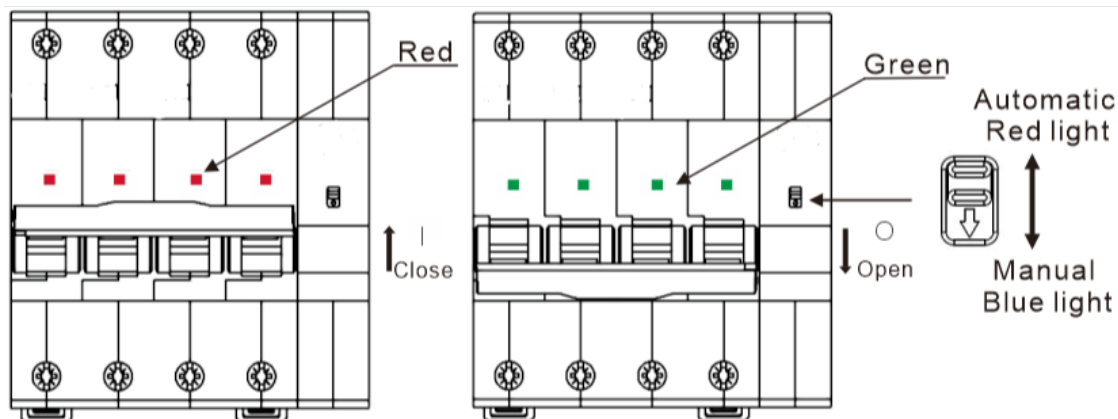


Figure 3 Circuit breaker closing/opening status indication, mode selection switch "Automatic" and "Manual" positions

Note: When the product leaves the factory, it defaults to disconnected status and "automatic" mode.

8.2 Installation mode

TH35-7.5 mounting rail is used for installation, as shown in Figure 4.

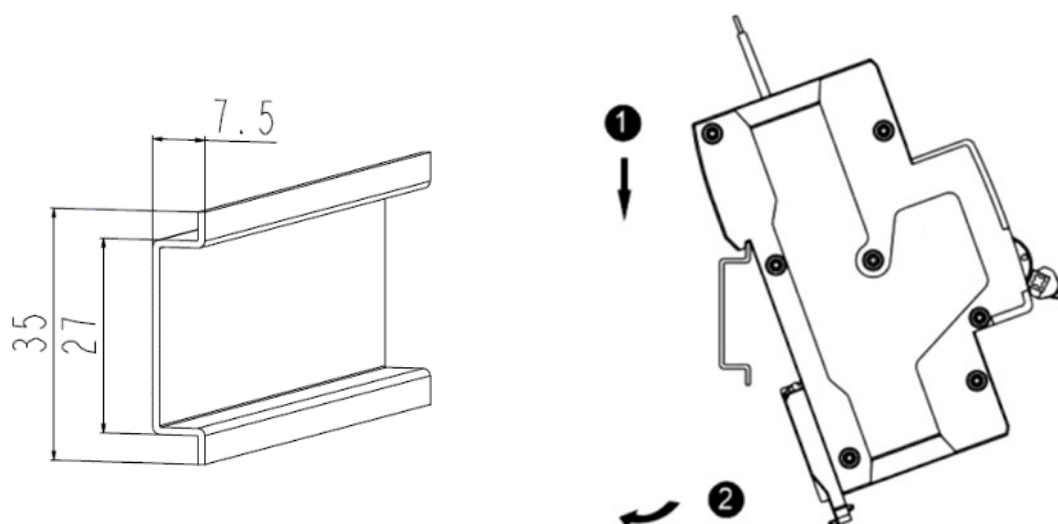


Fig. 4 Installation Diagram

标记	处数	更改文件号	签字	日期					

设计文件名称	使用说明书	0463B1657	
产品型号、名称	NB2-80ZT 具有远程控制功能的小型断路器	版本	01
		共 16 页	第 11 页

8.3 Disassembly Diagram

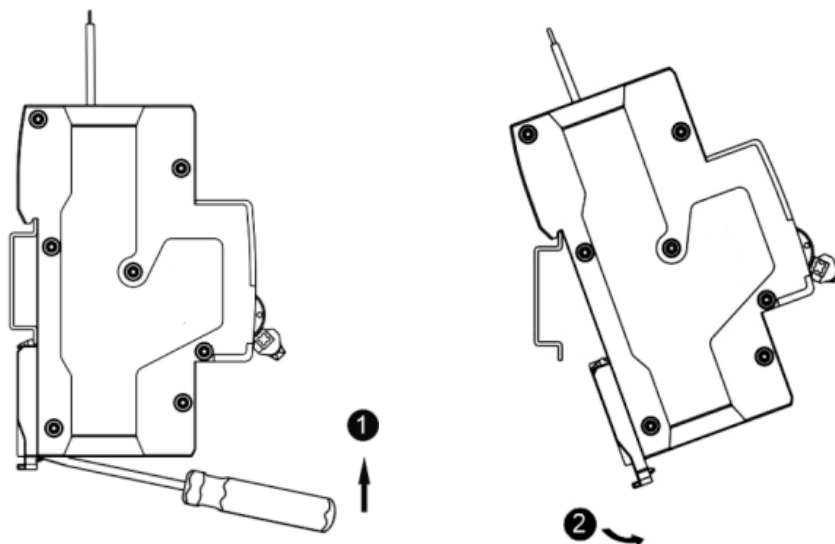


Fig. 5 Disassembly Diagram

8.4 It is applicable to copper wire connection. See Table 7 for wire selection and Figure 6 for wiring mode and stripping length.

Table 7 Requirements for Cross sectional Area of Copper Conductor

Rated current I_n (A)	Cross sectional area of copper conductor (mm^2)
6	1
10	1.5
16、20	2.5
25	4
32	6
40	10
50	10
63	16
80	25

标记	处数	更改文件号	签字	日期					

设计文件名称	使用说明书	0463B1657	
产品型号、名称	NB2-80ZT 具有远程控制功能的小型断路器	版本	01
		共 16 页	第 12 页

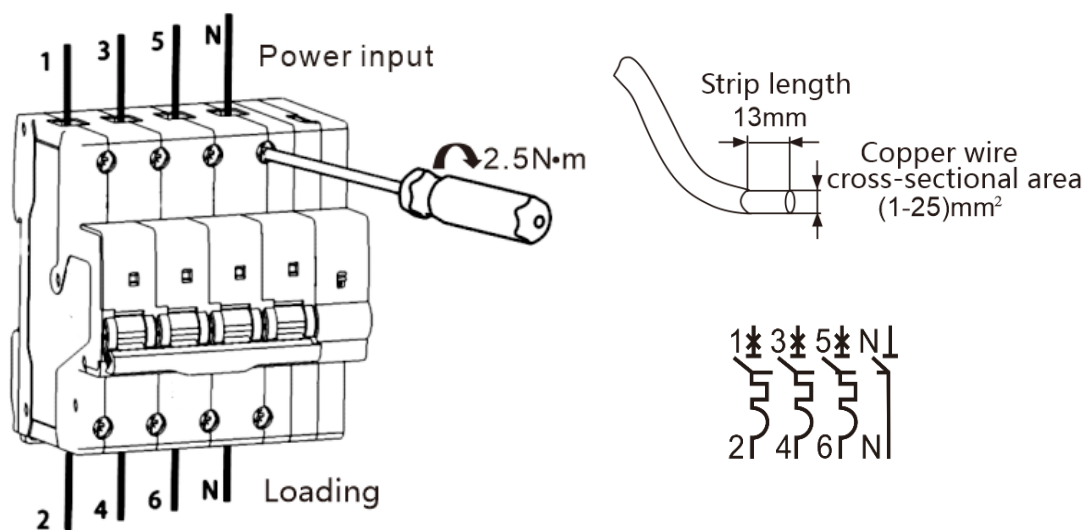


Figure 6 Wiring Mode and Stripping Length

Note: Before power on, check whether the wiring is correct and firm, verify the flexibility of the handle action, and detect the status indication modes of manual and automatic.

9 Maintenance

The circuit breaker shall be checked regularly during operation.

When the circuit breaker fails to trip and open (such as overload, short circuit, overvoltage, undervoltage, phase loss, underfrequency, etc.), the fault shall be eliminated first, and then the circuit breaker shall be closed manually to restore power supply.

10 Fault Analysis and Troubleshooting

Table 8 Example of Fault Analysis and Troubleshooting

Fault phenomenon	Cause analysis	Exclusion method
The handle cannot be closed	Whether there is short circuit at the load end	Troubleshooting
	Failure of operating mechanism	Replace product
	The rated current of the circuit breaker does not match the load current	Replace product specifications

标记	处数	更改文件号	签字	日期					

设计文件名称	使用说明书	0463B1657	
产品型号、名称	NB2-80ZT 具有远程控制功能的小型断路器	版本	01
		共 16 页	第 13 页

	Overvoltage/undervoltage in the line	Observe whether the indicator light flashes red and automatically switches on after voltage recovery
	When over/under voltage faults occur for more than 3 times in a row within 10 minutes	Unlock after confirming the line status
	When the remote command of closing is not allowed	Unlock after confirming the line status
Remote closing is not possible	Communication line is not connected	Correct wiring
	The product is in manual mode	Turn the mode selector switch to the "Automatic" position
	Overvoltage and undervoltage exist in the line	Confirm line status
High temperature	The wiring screw does not compress the wire or is loose	Tighten the wiring screws
	The sectional area of selected conductor is too small	Replace wire specification
Fail to open in case of short circuit	The selected circuit breaker does not match the working conditions of the load	Replace product specifications
No power	Wire stripping is too short	Re stripping
	The wiring screw does not compress the wire or is loose	Tighten the wiring screws

11 Warranty period, environmental protection and other legal provisions

11.1 Warranty period

Under the normal storage and transportation conditions, and the product package or product itself is in good condition, the warranty period of the product is 36 months from the date of production.

The following conditions are not covered by the warranty:

- 1) Damage caused by improper use, storage and maintenance of users;

标记	处数	更改文件号	签字	日期					

设计文件名称	使用说明书	0463B1657	
产品型号、名称	NB2-80ZT 具有远程控制功能的小型断路器	版 本	01
		共 16 页	第 14 页

2) Damage caused by organizations or personnel not designated by the company, or self disassembly and maintenance;

3) The product exceeds the warranty period;

4) Damage caused by force majeure

11.2 Environmental protection

To protect the environment, when this product or its components are scrapped, please properly treat them as industrial wastes; Or it can be delivered to the recycling station for classified disassembly, recycling and reuse according to relevant national regulations.

标记	处数	更改文件号	签字	日期					

设计文件名称	使用说明书	0463B1657	
产品型号、名称	NB2-80ZT 具有远程控制功能的小型断路器	版本	01
		共 16 页	第 15 页

附件： 关于使用说明书排印制方面的说明

附件1 封面：（封面印刷内容要求见下表）

序号	印刷项目	印刷内容	译文	要求说明
1	商标	CHINT	CHINT	品牌管理部提供封面形象，包括如下内容设定在封面的排列位置的版式
2	正泰文化元素	“闪电符号”	/	
3	版本号	NO:2023.04	NO:2023.04	按产品使用说明书技术文件修订年月确定
4	产品二维码	/	/	空留位置，将来的产品实际维护情况标识
5	产品型号系列	NB2-80ZT	NB2-80ZT	产品单位填写使用说明书实际所涵盖产品系列型号、名称。本行只印刷型号
	产品名称	剩余电流动作断路器	Residual Current Operated Circuit Breaker	
6	符合标准号	IEC/EN 60898-1	IEC/EN 60898-1	产品实际所符合的国际标准
7	封面标题	使用说明书	User Instruction	集成系统业务部组织按技术文件代号所标外国语种翻译在本栏目中

附件2 合格证：（合格证作为产品经检验合格出厂的凭证，是必不可少的随机文件，可独立使用，也可以与使用说明书合并使用，置于产品使用说明书的倒数第二页，关于产品合格证的印刷技术内容如下表）

序号	印刷项目	印刷内容	译文	要求说明
1	商标	CHINT	CHINT	由品牌管理部统一设计
2	标题	QC PASS	QC PASS	市场部与研究院确定样式并翻译
3	产品型号系列	NB2-80ZT	NB2-80ZT	文字描述及格式固定不变，只更新产品所符合的标准号
4	产品名称	剩余电流动作断路器	Residual Current Operated Circuit Breaker	
5	符合标准号	IEC/EN 60898-1	IEC/EN 60898-1	国际标准
6	检验工号	检 12	Check 12	按产品成品实际检验员工号
7	检验日期	检验日期：请见包装	Test date: Please see The packing	版式设计时需增加
8	公司名称	ZHEJIANG CHINT ELECTRICS CO., LTD.	ZHEJIANG CHINT ELECTRICS CO., LTD.	版式设计时需增加

附件3 封底：（关于封底的印刷技术内容要求见下表）

序号	印刷项目	印刷内容	译文	要求说明
1	商标	CHINT	CHINT	由品牌管理部统一设计

标记	处数	更改文件号	签字	日期					

设计文件名称	使用说明书	0463B1657	
产品型号、名称	NB2-80ZT 具有远程控制功能的小型断路器	版本	01
		共 16 页	第 16 页

2	产品型号系列	NB2-80ZT	NB2-80ZT	商标下面
3	产品名称	剩余电流动作断路器	Residual Current Operated Circuit Breaker	
4	封底标题	使用说明书	User Instruction	
5	生产者（制造商）名称、地址（含邮编、邮箱、网址等）	浙江正泰电器股份有限公司 地址：浙江省乐清市北白象镇正泰工业园区正泰路 1 号 邮编：325603 邮箱： 网址：	Zhejiang CHINT Electric Co., Ltd. Add: No.1, CHINT Road, CHINT Industrial Zone, North Baixiang, Yueqing, Zhejiang Province. Tel: 86-577-62777777 4001177797 E-mail: global-sales@chint.com Website: http://en.chint.com	统一总部海外最新信息；由网站传媒与维护权威部门提供
6	企业二维码		/	统一总部海外最新网站二维码；由网站传媒与维护权威部门提供
7	回收标志或禁止随意废弃标志	 	/	

附件4 说明书的幅面尺寸、印刷色彩、装订形式、制作材质的要求（无需翻译）

序号	项目	（填写项）要求	要求说明
1	幅面尺寸	正128开（65×92）	分为正16开（185×260）、正32开（130×185）、正64开（92×130）、正128开（65×92）等四种可选
2	印刷色彩	全彩印	封面（含封底、合格证）彩色里黑白、全单色（品蓝）、全彩印等三种可选
3	装订形式	单张折叠本	分为单张折叠本、订装本、胶装本、线装本等四种可选；优先选用折叠式
4	制作材质	60g/m ² 双胶纸	分为折叠式：128 开-60 g/m ² 双胶纸，64 开以上 70g/m ² 双胶纸；彩印钉装式：64 开和 32 开-封面 80g/m ² 亚光铜版纸，里页 60g/m ² 双胶纸；16 开-封面 128g/m ² 亚光铜版纸，里页 70g/m ² 双胶纸；品蓝单色钉装式：70g/m ² 双胶纸

标记	处数	更改文件号	签字	日期					