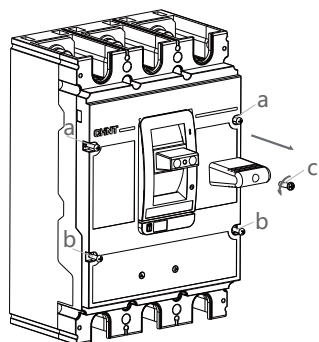


In order to protect the environment, when the product or its components are scrapped, please dispose of it as industrial waste, or hand it over to the recycling station for disaggregation, recycling and reuse according to relevant national regulations

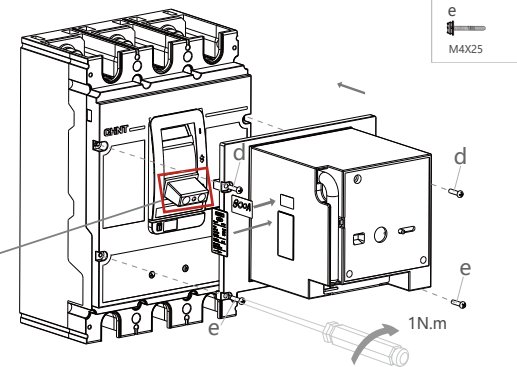


1

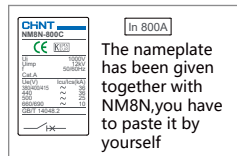


- a M4X20
- b M4X16
- c ST4.2X16

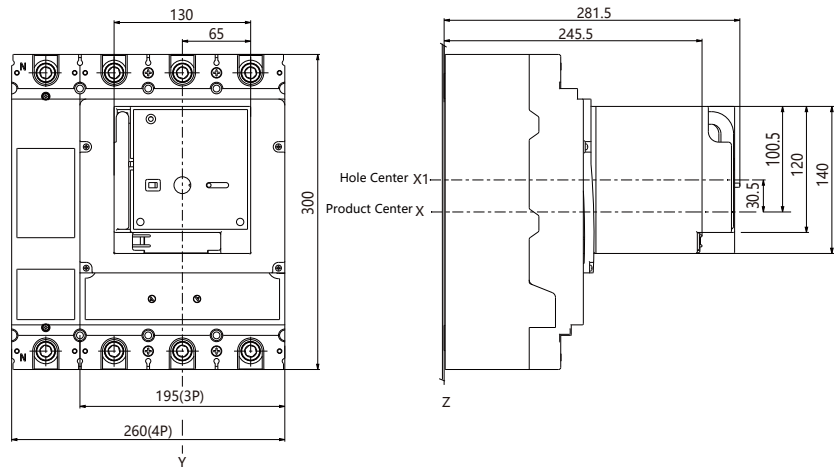
2



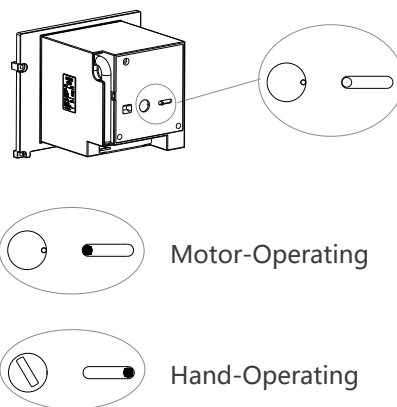
- d M4X35
- e M4X25



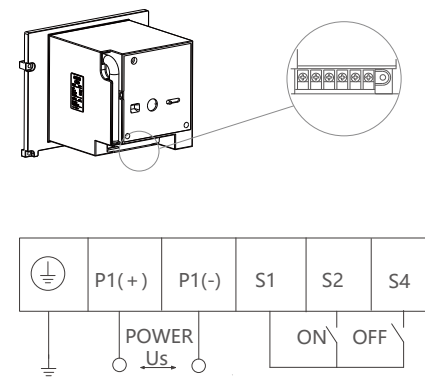
Installation Dimension (mm)



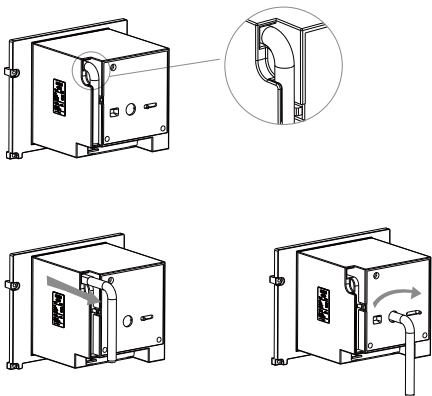
B Operation Mode



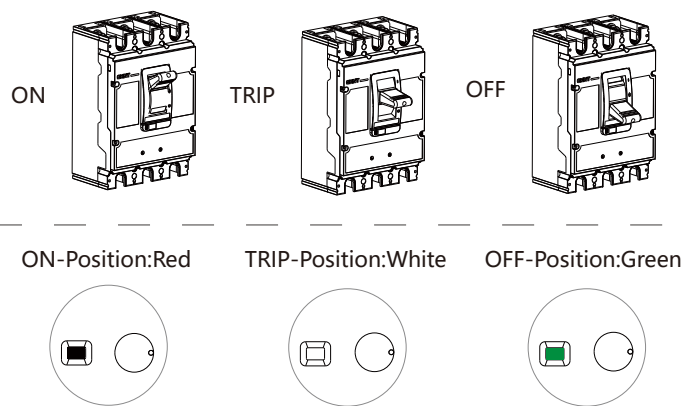
C Motor-Operating



D Hand-Operating



E Operating Instruction



Zhejiang CHINT Electric Co., Ltd.

Add: No.1, CHINT Road, CHINT Industrial Zone, North Baixiang, Yueqing, Zhejiang Province.

Tel: 86-577-62777777 4001177797

Fax: global-sales@chint.com

Web: <http://en.chint.com>





