



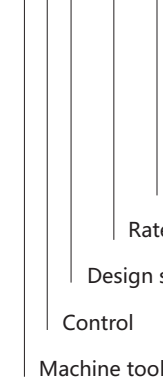
JBK5 Control Transformer

1. General

- 1.1 Application: JBK5 series control transformers are suitable for AC circuit of 50Hz/60Hz, used as control sources for various mechanical equipment and general electrical appliances, and used as power supplies for work lighting and signal lamps.
- 1.2 Standard: Q/ZT205

2. Type designation

JB K 5 - □ / □



Product code for the tropical zone:
"H" humid tropics, "A" dry tropical zone

Rated capacity: 40VA~2500VA

Design sequence No.

Control

Machine tool transformer

3. Operating conditions

- 3.1 Temperature: $-5^{\circ}\text{C} \sim +40^{\circ}\text{C}$,
should not exceed $+35^{\circ}\text{C}$ the average value within 24 hours.
If the lowest limit is -10°C or -25°C , please declared.
- 3.2 Altitude: $\leq 2000\text{m}$;
- 3.3 Relative humidity $\leq 90\%$, when the average lower limit value is under $+25^{\circ}\text{C}$ within the month;
 $\leq 50\%$ when the temperature is $+40^{\circ}\text{C}$.
And when lower temperature;
the humidity could be relatively higher.
But the teperature is lower, the humidity higher.

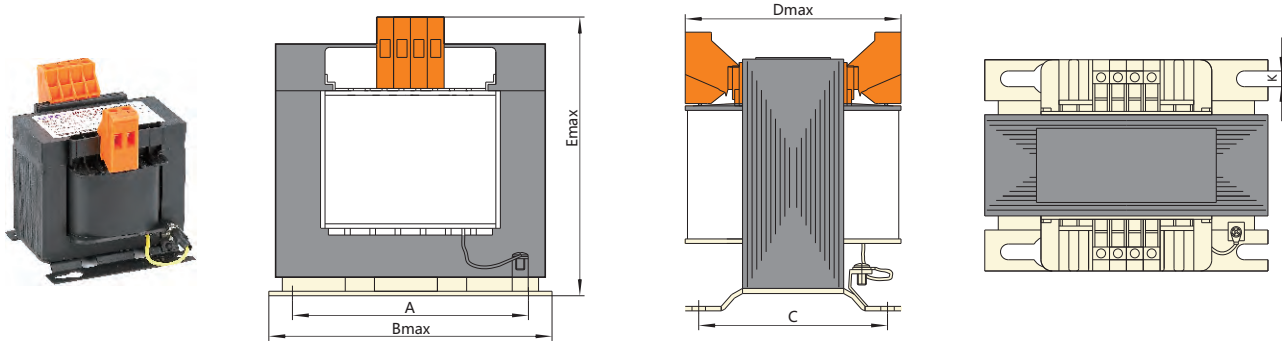
4. Features

We always adopt gas argon arc welding for the connection among iron cores and between iron core and clamping piece (mounting piece) of JBK5 series control transformers, which enables the product to be an entirety, so that the structure is more reasonable and reliable.

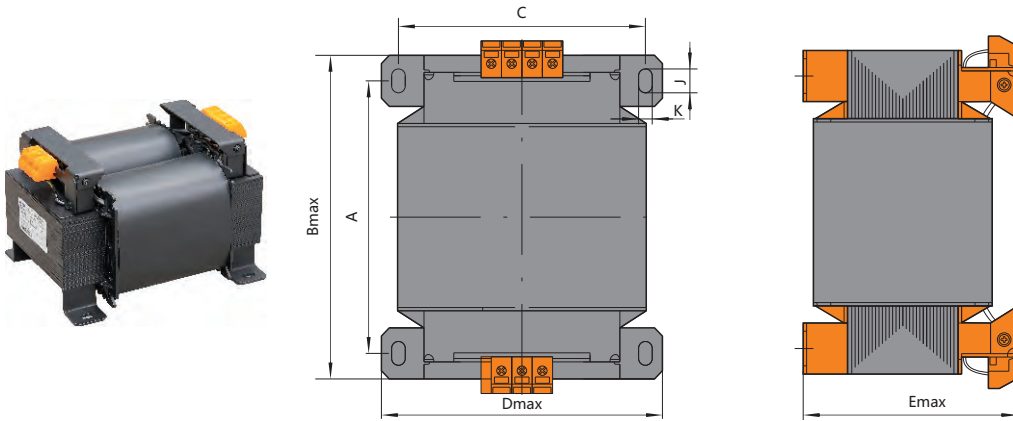
In addition, the products have advantages of reliable operation, low dissipation of energy, compact volume, safe wiring, wide applicability, etc.

5. Overall and mounting dimensions

JBK5-40~630, JBK5-800(Vertical)



JBK5-800(Horizontal), JBK5-1000~2500 Type



Dimension (mm) Capacity (VA)	Item	Overall dimensions (mm)			Mounting dimensions (mm)		Mounting holes (mm)
		B max	D max	E max	A	C	K
40~63		79	78	92	66	46	4.8
100		85	95	97	72	62	4.8
160		97	96	105	84	73.5	5.8
250		97	110	105	84	85	5.8
300		122	106	130	93	76	7
400		122	110	130	100	85	7
500		122	125	130	90	98	6
630		151	116	150	130	90	7
800(Vertical)		152	132	150	126	104	7
1000		230	170	156	160	142	7×14
1600		258	185	168	180	155	7×14
2500		285	210	175	210	175	7×14