



**PT CHINT INDONESIA**

Gold Coast Office, Eiffel Tower Lt. 22 Unit L&M Jl. Pantai Indah Kapuk, Jakarta Utara 14470

**Warehouse**

Jl. Pool PPD Pesing Poglar No. 11, Komplek Prima Center I, Block C9-C10

Kel. Kedaung Kali Angke Kec. Cengkareng - Jakarta Barat 11710 Telp. +62-21-5436 3000

[Https://chint-indonesia.com](https://chint-indonesia.com) E-mail: [sales@chint-indonesia.com](mailto:sales@chint-indonesia.com)

# CHNT

Empower the World



# NEW7G

SERIES SWITCH & SOCKET





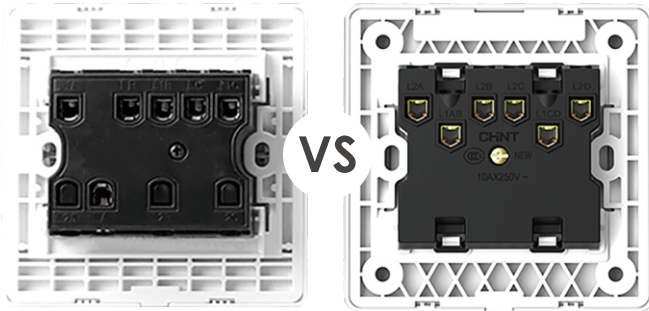
SWITCH TO THE BEST

# NEW 7G Series





# INTERNAL WIRING DESIGN EASY FOR CONNECTION



No Internal Wiring

Internal Wiring Design

Simplified wiring and high efficiency

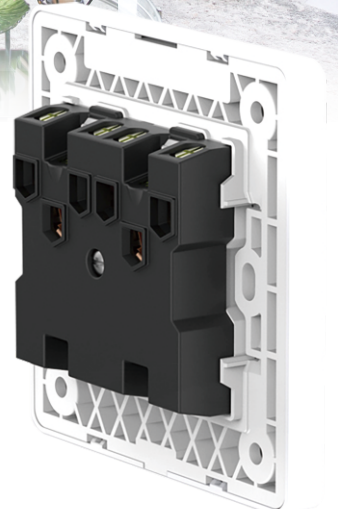
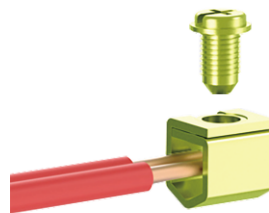
# FLUORESCENT DESIGN BRIGHT IN DARKNESS



Easily identify switch position

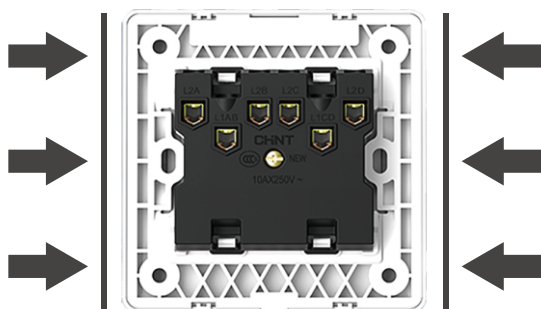


# U TYPE LARGE TERMINAL



4.2mm Large aperture Saddle terminal wiring structure Firm and not easy to fall off

# ONE PIECE BASE DESIGN



Enhance density & strength,  
prevent slipped screw





## NEW7-G00100A

1-gang 1-way switch

**Color:** White

**Material:** Polycarbonate (PC)

**Current:** 10A





## NEW7-G42360

1-gang 2-pin and 3-pin Multi-functional switched socket

**Color:** Black

**Material:** Polycarbonate (PC)

**Current:** 13A







## NEW7-G00900

5-gang 1-way switch

**Color:** White

**Material:** Polycarbonate (PC)

**Current:** 10A



# FLUSH SWITCH



1-gang 1-way switch 10A 250V

Model No

NEW7-G001

Quantity(pcs/ctn)

144



1-gang 2-way switch 10A 250V

Model No

NEW7-G003

Quantity(pcs/ctn)

144



2-gang 1-way switch 10A 250V

Model No

NEW7-G005

Quantity(pcs/ctn)

144



2-gang 2-way switch 10A 250V

Model No

NEW7-G007

Quantity(pcs/ctn)

144



3-gang 1-way switch 10A 250V

Model No

NEW7-G009

Quantity(pcs/ctn)

144



3-gang 2-way switch 10A 250V

Model No

NEW7-G011

Quantity(pcs/ctn)

144



4-gang 1-way switch 10A 250V

Model No

NEW7-G013

Quantity(pcs/ctn)

144

# FLUSH SWITCH



4-gang 2-way switch 10A 250V

Model No

NEW7-G015

Quantity(pcs/ctn)

144



5-gang 1-way switch 10A 250V

Model No

NEW7-G00900

Quantity(pcs/ctn)

144



5-gang 2-way switch 10A 250V

Model No

NEW7-G01000

Quantity(pcs/ctn)

144



1-gang 1-way switch 10A 250V  
1-gang 2-way switch 10A 250V  
1-gang multi-way switch 10A 250V

Model No

NEW7-G00100A  
NEW7-G00200A  
NEW7-G07100A

Quantity(pcs/ctn)

144



2-gang 1-way switch 10A 250V  
2-gang 2-way switch 10A 250V  
2-gang multi-way switch 10A 250V

Model No

NEW7-G00300A  
NEW7-G00400A  
NEW7-G07200A

Quantity(pcs/ctn)

144



3-gang 1-way switch 10A 250V  
3-gang 2-way switch 10A 250V

Model No

NEW7-G00500A  
NEW7-G00600A

Quantity(pcs/ctn)

144



4-gang 1-way switch 10A 250V  
4-gang 2-way switch 10A 250V

Model No

NEW7-G00700A  
NEW7-G00800A

Quantity(pcs/ctn)

144

# FLUSH SWITCH



1-gang doorbell push button switch 10A 250V

Model No

NEW7-G30200A

Quantity(pcs/ctn)

144



20A 250V 1- Gang 1- Way DP Switch with NEO light

Model No

NEW7- G00150

Quantity(pcs/ctn)

120



20A 250V 1- Gang 2- Way DP Switch with NEO light

Model No

NEW7- G00250

Quantity(pcs/ctn)

120



32A 250V 1- Gang 1- Way DP Switch with NEO light

Model No

NEW7- G00160

Quantity(pcs/ctn)

144



DP switch 20A 250V

Model No

NEW7-G027

Quantity(pcs/ctn)

120



DP switch with indicator 20A 250V

Model No

NEW7-G029

Quantity(pcs/ctn)

144



Blank Plate

Model No

NEW7- G951

Quantity(pcs/ctn)

360



# Switch & Outlet



1-gang 2-pin socket 10A 250V

Model No

NEW7-G102

Quantity(pcs/ctn)

144



1-gang 2-pin switched socket 10A 250V

Model No

NEW7-G401K

Quantity(pcs/ctn)

120



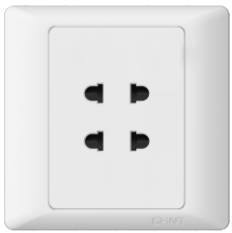
1-gang 2-pin switched socket with indicator 10A 250V

Model No

NEW7-G401KL

Quantity(pcs/ctn)

120



2-gang 2-pin socket 10A 250V

Model No

NEW7-G104

Quantity(pcs/ctn)

120



1-gang multi-funcional 3-pin switched socket 10A 250V

Model No

NEW7-G442

Quantity(pcs/ctn)

144



1-gang 3-pin multi-functional socket 10A 250V

Model No

NEW7-G123

Quantity(pcs/ctn)

144



1-gang 3-pin 13A multifunction socket with USB

Model No

NEW7-G13110

Quantity(pcs/ctn)

120

# Switch & Outlet



**1-gang 1-way switch 16A 250V  
with 1-gang 3-pin Multi-functional  
socket 13A 250V**

Model No

**NEW7-G42100**

Quantity(pcs/ctn)

**120**



**1-gang 2-pin and 3-pin  
Multi-functional socket  
13A 250V**

Model No

**NEW7-G11140**

Quantity(pcs/ctn)

**144**



**1-gang 2-pin and 3-pin  
Multi-functional switched  
socket 13A 250V**

Model No

**NEW7-G42360**

Quantity(pcs/ctn)

**120**



**German standard socket 16A 250V**

Model No

**NEW7-G10940**

Quantity(pcs/ctn)

**96**



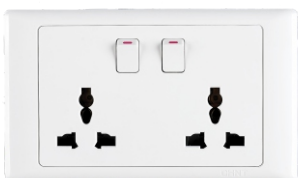
**1-gang 3-pin switched socket  
with indicator 13A 250V**

Model No

**NEW7-G42710**

Quantity(pcs/ctn)

**120**



**2-gang 3-pin multifunction  
switched socket 13A 250V**

Model No

**NEW7-G41920**

Quantity(pcs/ctn)

**72**

## WIFI SWITCH



AP Wireless Router(190-250V AC)  
Coverage:20m2  
Max Users: 15 Users

Model No

NES2 - 00100

Quantity(pcs/ctn)

60

## TELECOMMUNICATION OUTLETS



1- Gang 4-Core Telephone Socket

Model No

NEW7- G20300A

Quantity(pcs/ctn)

144



2- Gang 4-Core Telephone Socket

Model No

NEW7- G20800A

Quantity(pcs/ctn)

144



1- Gang 8-Core Data Socket (CAT 5e)  
1- Gang 8-Core Data Socket (CAT 6)

Model No

NEW7-G20400A  
NEW7- G20410

Quantity(pcs/ctn)

120



2- Gang 8-Core Data Socket (CAT 5e)  
2- Gang 8-Core Data Socket (CAT 6)

Model No

NEW7-G20500A  
NEW7-G20510A

Quantity(pcs/ctn)

144



1- Gang TV Terminal Socket




Model No

NEW7- G20100A




Quantity(pcs/ctn)

144

## TELECOMMUNICATION OUTLETS

	<p>1-Gang SAT Socket</p>	<p>Model No</p>	<p>Quantity (pcs/ctn)</p>
		<p>NEW7-G21400</p>	<p>168</p>
	<p>1- Gang TV Terminal Socket + SAT Socket</p>	<p>Model No</p>	<p>Quantity (pcs/ctn)</p>
		<p>NEW7- G32800</p>	<p>120</p>
	<p>TV/FM/SAT socket (SMATV)</p>	<p>Model No</p>	<p>Quantity (pcs/ctn)</p>
		<p>NEW7- G32900</p>	<p>120</p>

## COMBINED SOCKET

	<p>1- Gang 4-Core Telephone Socket + 1- Gang 8-Core Data Socket (CAT 5e)</p>	<p>Model No</p>	<p>Quantity (pcs/ctn)</p>
		<p>NEW7- G20900A</p>	<p>120</p>
	<p>1- Gang 4-Core Telephone Socket + 1- Gang 8-Core Data Socket (CAT 6)</p>	<p>Model No</p>	<p>Quantity (pcs/ctn)</p>
		<p>NEW7- G20910A</p>	<p>120</p>
	<p>1- Gang TV Socket + 1- Gang 8-Core Data Socket (CAT 5)</p>	<p>Model No</p>	<p>Quantity (pcs/ctn)</p>
		<p>NEW7- G21200A</p>	<p>120</p>



## LIGHT DIMMER



1- Gang Light Dimmer 500W

Model No

NEW7-G30510A

Quantity(pcs/ctn)

72

## FAN CONTROL



1- Gang Speed Controller 250W

Model No

NEW7-G30610A

Quantity(pcs/ctn)

72

## FUSE CONNECTION



13A 250V 1- Gang Fuse Connection Unit with NEON

Model No

NEW7- G99810

Quantity(pcs/ctn)

120



13A 250V 1- Gang Fuse Connection Unit with 1- Gang 1- Way Switch

Model No

NEW7- G99700

Quantity(pcs/ctn)

120

## EMERGENCY CALL SWITCH



1A 250V 1- Gang Call Switch with Key

Model No

NEW7 - G32000

Quantity(pcs/ctn)

120

## INFRARED SENSOR SWITCH



100W 1- Gang Infrared Snesor Time-delay Switch(Two-wire system. Control Filament Lamp. Energy Saving Lamp)

Model No

NEW7 - G31100A

Quantity(pcs/ctn)

96

# HOTEL SERIES

	<p>1- Gang Shaver Socket 110V/240V (146 type)</p>	<p>Model No</p>	<p>Quantity(pcs/ctn)</p>
		<p>NEW7-300</p>	<p>27</p>
	<p>1- Gang LED Doorbell Push Button "Do Not Disturb, Please Clean Up"</p>	<p>Model No</p>	<p>Quantity(pcs/ctn)</p>
		<p>NEW7-G32300A</p>	<p>120</p>
	<p>10A 250V 2- Gang 2- Way Switch "Do Not Disturb, Please Clean Up"</p>	<p>Model No</p>	<p>Quantity(pcs/ctn)</p>
		<p>NEW7- G007B/D/C</p>	<p>120</p>
	<p>1- Gang Hotel Key Card Switch w/o key card General Type Max Current: 30A, Max Power:6600W</p>	<p>Model No</p>	<p>Quantity(pcs/ctn)</p>
		<p>NEG1 - 0310</p>	<p>72</p>
	<p>1- Gang Hotel Key Card Switch w/o key card Contacting Type Max Current: 30A, Max Power:6600W</p>	<p>Model No</p>	<p>Quantity(pcs/ctn)</p>
		<p>NEG1 - 0320</p>	<p>72</p>
	<p>1- Gang Hotel Key Card Switch w/o key card Inductive Type Max Current: 30A, Max Power:6600W Frequency: 125kHz</p>	<p>Model No</p>	<p>Quantity(pcs/ctn)</p>
		<p>NEG1 - 0330</p>	<p>72</p>
	<p>1- Gang Hotel Key Card Switch w/o key card Inductive Type Max Current: 20A, Max Power:4400W Frequency: 13.56MHz</p>	<p>Model No</p>	<p>Quantity(pcs/ctn)</p>
		<p>NEG1 - 0340</p>	<p>72</p>

REMARKS:

Color Code:



ivory white  
Code:0



champagne gold  
Code:X/2



brushed silver  
Code:CS/8



carbon black  
Code: B/6



platinum grey  
Code:PS/1

## 1 Appliance and Features

1.1 NEW series wall switches and sockets are applied for electrical apparatus such as indoor lighting and fixed-electrical instrument.

1.2 Switches adopt silver alloy contact ,ensure low temperature rise.

1.3 Sockets adopt phosphor bronze which ensure reliable insertion force.

## 2 Technical Data

Type	Sockets	Switch	
Frequency	50HZ	50HZ	
Rated voltage	125V 250V 440V	125V 250V	
Rated current	5A 10A 13A 15A 16A 25A	≤16A	16A~45A
Mechanical life	≥ 5000times	≥ 40000times	≥ 10000times
Rated power of the SBL circuit	/	200W	250W
Environment temperature	-5°C ~ +40°C		

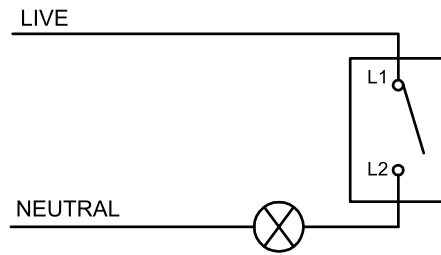
## 3 Installation Dimension

Type	Mounting Size (mm)	Type	Mounting Size (mm)
86type	60	146type	121
118/120type	83.5	155type	119.5
120type 6-gang	83.5×46	195type	161.5



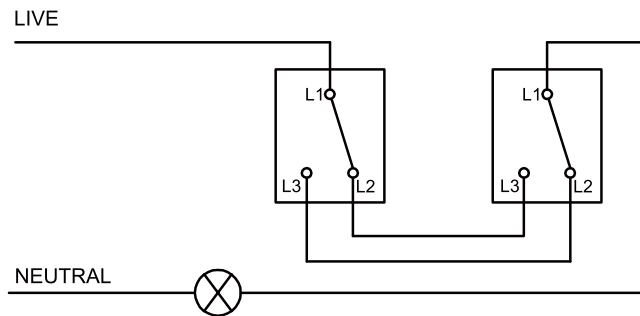
## 4 Switch Wiring Diagram

### 4.1 1-Way



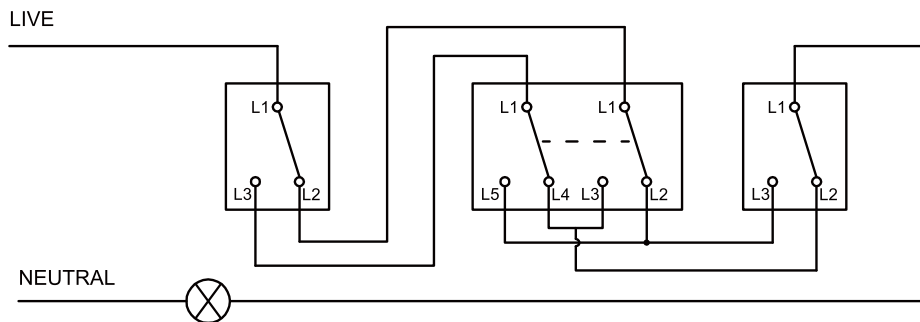
1-Way Switch

### 4.2 2-Way



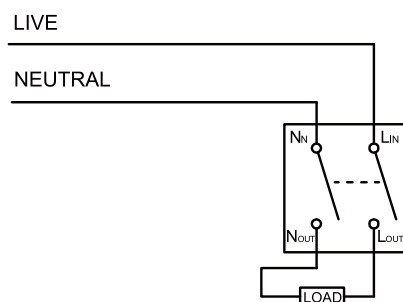
2-Way Switch

### 4.3 Multi-Way



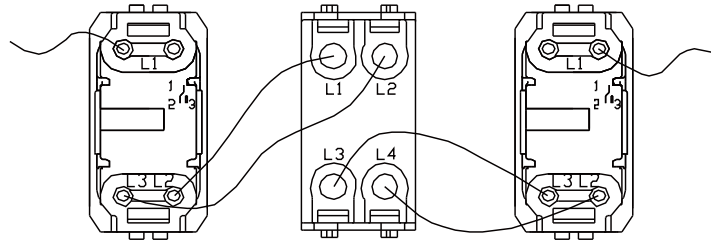
Multi-Way 6 Line

### 4.4 Double Pole



Double Pole Switch

## 4.5 2-Way、 Multi-way Switch Diagram(three places control)



Multi-Way 4 Line

(This picture just as a refer, information subject to actual product)

## 5 Socket Diagram

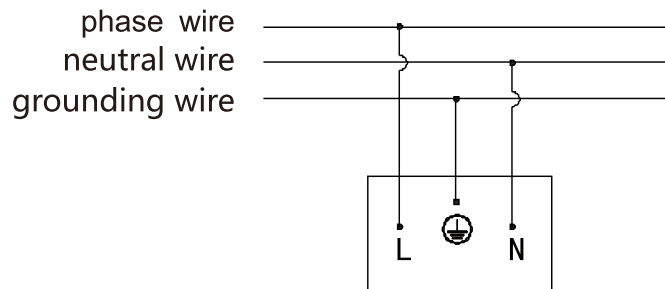
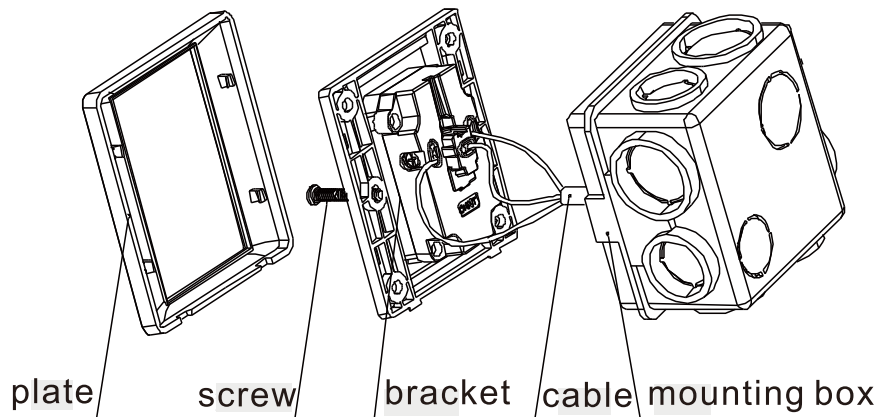


Chart of Installation

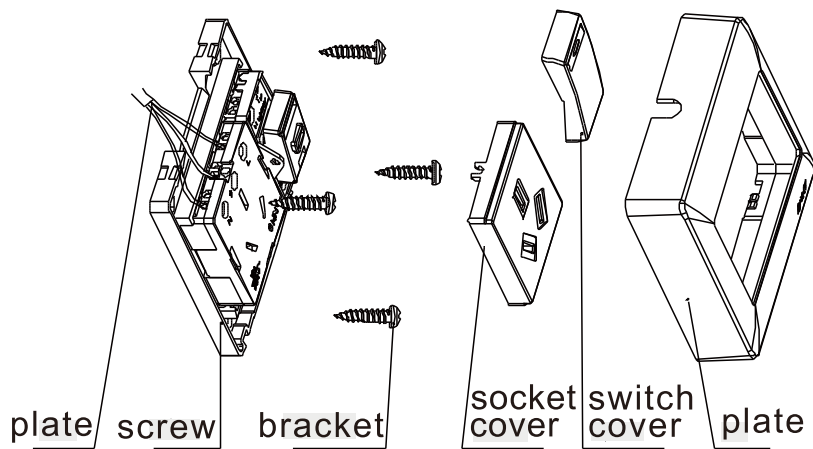
## 6 Product Installation Method

- 6.1 Remove the plate by slot screwdriver.
- 6.2 Insert the wire into corresponding wiring hole, and tighten the screws. (please install the function before connection or the products with function assembled.
- 6.3 Fix the product on the mounting box by screw.
- 6.4 Mount the cover plate.



### Concealed installation Diagram

(Pictures for reference only, subject to our available products.)



### Surface Mounted Diagram

(Pictures for reference only, subject to our available products.)

### 7 Important Notices

7.1 Cover and plate that conceal the mounting hole should be dismantled. After finishing installation, put them on as before in order. Installation and wiring should be done by professional electrician. Please avoid this from corrosive liquid, such as alkaline, acid, and paint.

7.2 During the installation, if you want to control the socket's working power supply through switch's on and off, the power rating of the switch should not be less than the socket.

7.3 Product installation recommended torque (0.2— 0.4)N.m

7.4 Use three and more than three-position same base public terminal socket, the electric load should not be greater than the product marking's rated current value, namely you cannot overload use the socket (such as MAX 10A means maximum rated current 16 A).