



NCH8-□Z Modular contactor with AC/DC coil

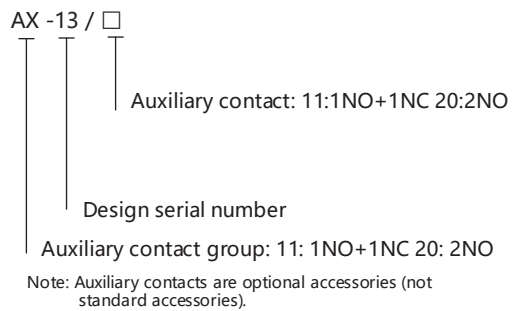
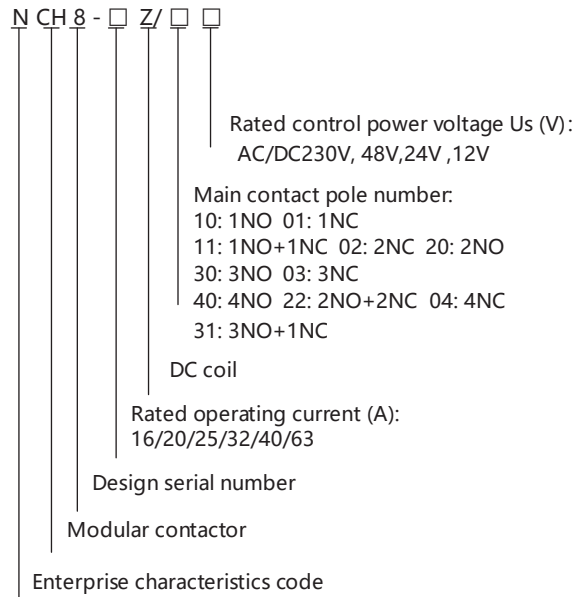
1. The purpose of use

1.1 NCH8-□Z series Modular AC contactor (hereinafter referred as contactor) is mainly used for circuits with AC 50Hz (or 60Hz) and rated working voltage up to 400V and rated working current up to 63A, controlling low inductance and micro inductive loads for household appliances and similar purposes; It can also be used to control the load of household electric motors, and the control power should be correspondingly reduced.

The product is applied in homes, hotels, apartments, and other places to achieve automation functions, and is applied to large-scale production of household electrical products.

1.2 Standard: Contactors comply with IEC/EN 61095, IEC/EN 60947-4-1, IEC/EN 60947-5-1

2. Type Specification and Definitions



3. Regular Operating Conditions

- 3.1 Ambient temperature: $-5^{\circ}\text{C} \sim +40^{\circ}\text{C}$
- 3.2 Humidity: Relative humidity $< 50\%$ at $+40^{\circ}\text{C}$; up to 90% at $+20^{\circ}\text{C}$
- 3.3 Altitude: $< 2000\text{m}$
- 3.4 Pollution class: Class 2
- 3.5 Installation category: Class II
- 3.6 Protection class: IP20
- 3.7 Installation conditions: Vertical installation; the inclination of the installation surface to any direction should not exceed 5° ; TH35-7.5 steel mounting rails should be used for installation.
- 3.8 Operation conditions: Pickup voltage: $(85\% \sim 110\%) U_s$; release voltage: $(20\% \sim 75\%) U_s$

4. Main Technical Parameters

Model			16A	20A	25A	32A	40A	63A
Rated current I _n (A)	AC-7a/AC-1		16	20	25	32	40	63
	AC-7b/AC-3		6	7	9	12	18	25
Conventional thermal current I _{th} (A)			32	32	32	32	63	63
Rated insulation voltage U _i (V)			500					
Rated operating voltage U _e (V)			250V (2P), 400V(4P)					
Number of main contacts	2P width		1NO, 1NC, 1NO1NC, 2NO, 2NC					
	4P width		3NO, 3NC, 2NO2NC, 3NO1NC, 4NO, 4NC					
Control power (kW)	AC-7a/AC-1	250V	3.5	4.5	5.5	8	9	14
		400V	6	7.5	9.5	12	15	24
	AC-7b/AC-3	250V	1.4	1.6	2	3	4	5.5
		400V	2.2	2.5	3.2	4.5	6	8
Electrical life (times)			10×10 ⁴					
Mechanical life (times)			100×10 ⁴					
Rated control power voltage U _s (V)			AC/DC12V, 24V, 48V, 110V, 230V					
Rated duty system	Intermittent		30 times/h load factor 40%					
	Eight hours		Basic duty system					
Wiring (mm ²)	Control circuit	Hard wire	1.5~2.5			2×1.5		
		Flexible wire	1.5~2.5			2×2.5		
	Power circuit	Hard wire	1.5~6			6~25		
		Flexible wire	1.5~4			6~16		
Torque (N.m)	Control circuit		0.8					
	Power circuit		0.8					3.5

5. Auxiliary Contact

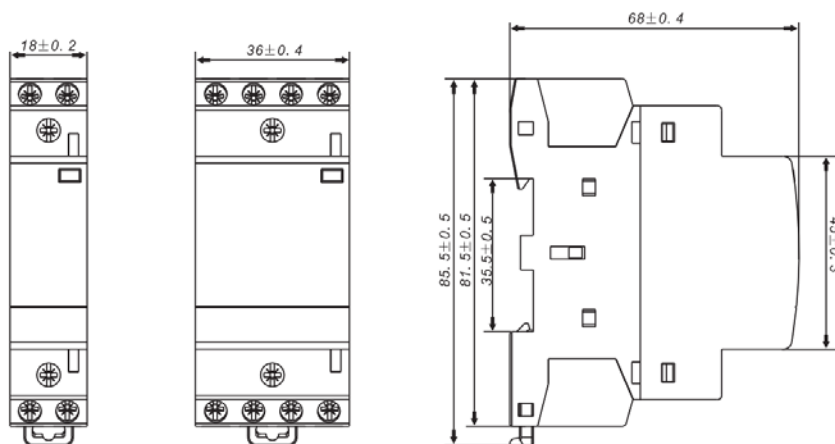
Model	AC-12		AC-15		DC-13	
	Voltage	Current	Voltage	Current	Voltage	Current
AX-13/11	240V	5A	230V	2A	DC 130V	1A
AX-13/20	240V	5A	230V	2A	DC 130V	1A

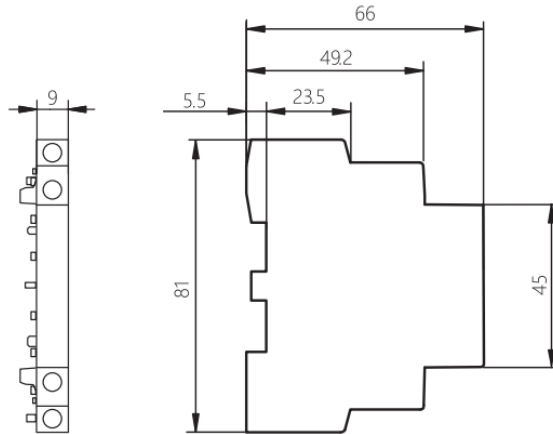
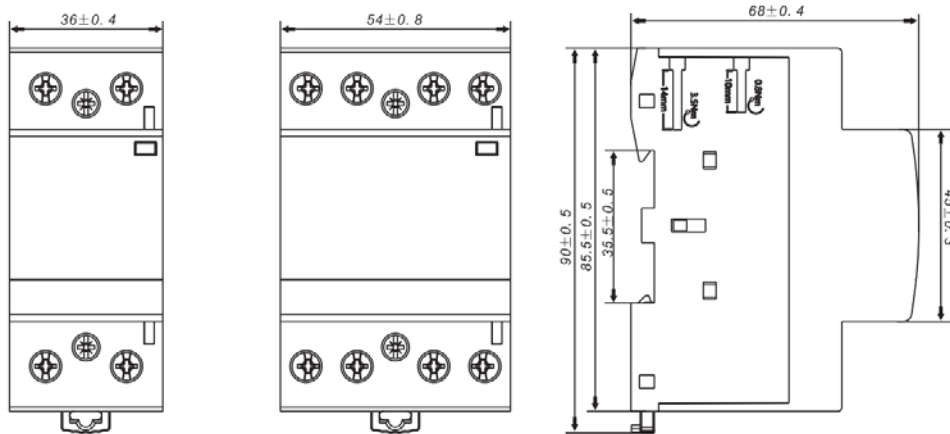


6. Outline and Installation Dimensions

Unit: mm

NCH8-16Z, NCH8-20Z, NCH8-25Z, nch8-32Z





7. Ordering Information

SKU	Model Description
440527	AX-13/11
440528	AX-13/20
438821	NCH8-16Z/10 AC/DC 230V
438822	NCH8-16Z/10 AC/DC 110V
438823	NCH8-16Z/10 AC/DC 48V
438824	NCH8-16Z/10 AC/DC 24V
438825	NCH8-16Z/10 AC/DC 12V
438826	NCH8-16Z/01 AC/DC 230V
438827	NCH8-16Z/01 AC/DC 110V
438828	NCH8-16Z/01 AC/DC 48V
438829	NCH8-16Z/01 AC/DC 24V
438830	NCH8-16Z/01 AC/DC 12V
438831	NCH8-16Z/20 AC/DC 230V
438832	NCH8-16Z/20 AC/DC 110V
438833	NCH8-16Z/20 AC/DC 48V

SKU	Model Description
438834	NCH8-16Z/20 AC/DC 24V
438835	NCH8-16Z/20 AC/DC 12V
438836	NCH8-16Z/02 AC/DC 230V
438837	NCH8-16Z/02 AC/DC 110V
438838	NCH8-16Z/02 AC/DC 48V
438839	NCH8-16Z/02 AC/DC 24V
438840	NCH8-16Z/02 AC/DC 12V
438841	NCH8-16Z/11 AC/DC 230V
438842	NCH8-16Z/11 AC/DC 110V
438843	NCH8-16Z/11 AC/DC 48V
438844	NCH8-16Z/11 AC/DC 24V
438845	NCH8-16Z/11 AC/DC 12V
438846	NCH8-20Z/10 AC/DC 230V
438847	NCH8-20Z/10 AC/DC 110V
438848	NCH8-20Z/10 AC/DC 48V

SKU	Model Description
438849	NCH8-20Z/10 AC/DC 24V
438850	NCH8-20Z/10 AC/DC 12V
438851	NCH8-20Z/01 AC/DC 230V
438852	NCH8-20Z/01 AC/DC 110V
438853	NCH8-20Z/01 AC/DC 48V
438854	NCH8-20Z/01 AC/DC 24V
438855	NCH8-20Z/01 AC/DC 12V
438856	NCH8-20Z/20 AC/DC 230V
438857	NCH8-20Z/20 AC/DC 110V
438858	NCH8-20Z/20 AC/DC 48V
438859	NCH8-20Z/20 AC/DC 24V
438860	NCH8-20Z/20 AC/DC 12V
438861	NCH8-20Z/02 AC/DC 230V
438862	NCH8-20Z/02 AC/DC 110V
438863	NCH8-20Z/02 AC/DC 48V

SKU	Model Description
438864	NCH8-20Z/02 AC/DC 24V
438865	NCH8-20Z/02 AC/DC 12V
438866	NCH8-20Z/11 AC/DC 230V
438867	NCH8-20Z/11 AC/DC 110V
438868	NCH8-20Z/11 AC/DC 48V
438869	NCH8-20Z/11 AC/DC 24V
438870	NCH8-20Z/11 AC/DC 12V
438871	NCH8-25Z/10 AC/DC 230V
438872	NCH8-25Z/10 AC/DC 110V
438873	NCH8-25Z/10 AC/DC 48V
438874	NCH8-25Z/10 AC/DC 24V
438875	NCH8-25Z/10 AC/DC 12V
438876	NCH8-25Z/01 AC/DC 230V
438877	NCH8-25Z/01 AC/DC 110V
438878	NCH8-25Z/01 AC/DC 48V

SKU	Model Description
438879	NCH8-25Z/01 AC/DC 24V
438880	NCH8-25Z/01 AC/DC 12V
438881	NCH8-25Z/20 AC/DC 230V
438882	NCH8-25Z/20 AC/DC 110V
438883	NCH8-25Z/20 AC/DC 48V
438884	NCH8-25Z/20 AC/DC 24V
438885	NCH8-25Z/20 AC/DC 12V
438886	NCH8-25Z/02 AC/DC 230V
438887	NCH8-25Z/02 AC/DC 110V
438888	NCH8-25Z/02 AC/DC 48V
438889	NCH8-25Z/02 AC/DC 24V
438890	NCH8-25Z/02 AC/DC 12V
438891	NCH8-25Z/11 AC/DC 230V
438892	NCH8-25Z/11 AC/DC 110V
438893	NCH8-25Z/11 AC/DC 48V
438894	NCH8-25Z/11 AC/DC 24V
438895	NCH8-25Z/11 AC/DC 12V
438896	NCH8-32Z/10 AC/DC 230V
438897	NCH8-32Z/10 AC/DC 110V
438898	NCH8-32Z/10 AC/DC 48V
438899	NCH8-32Z/10 AC/DC 24V
438900	NCH8-32Z/10 AC/DC 12V
438901	NCH8-32Z/01 AC/DC 230V
438902	NCH8-32Z/01 AC/DC 110V
438903	NCH8-32Z/01 AC/DC 48V
438904	NCH8-32Z/01 AC/DC 24V
438905	NCH8-32Z/01 AC/DC 12V
438906	NCH8-32Z/20 AC/DC 230V
438907	NCH8-32Z/20 AC/DC 110V
438908	NCH8-32Z/20 AC/DC 48V
438909	NCH8-32Z/20 AC/DC 24V
438910	NCH8-32Z/20 AC/DC 12V
438911	NCH8-32Z/02 AC/DC 230V
438912	NCH8-32Z/02 AC/DC 110V
438913	NCH8-32Z/02 AC/DC 48V
438914	NCH8-32Z/02 AC/DC 24V
438915	NCH8-32Z/02 AC/DC 12V
438916	NCH8-32Z/11 AC/DC 230V
438917	NCH8-32Z/11 AC/DC 110V
438918	NCH8-32Z/11 AC/DC 48V
438919	NCH8-32Z/11 AC/DC 24V
438920	NCH8-32Z/11 AC/DC 12V
438921	NCH8-16Z/30 AC/DC 230V
438922	NCH8-16Z/30 AC/DC 110V
438923	NCH8-16Z/30 AC/DC 48V
438924	NCH8-16Z/30 AC/DC 24V
438925	NCH8-16Z/30 AC/DC 12V
438926	NCH8-16Z/03 AC/DC 230V

SKU	Model Description
438927	NCH8-16Z/03 AC/DC 110V
438928	NCH8-16Z/03 AC/DC 48V
438929	NCH8-16Z/03 AC/DC 24V
438930	NCH8-16Z/03 AC/DC 12V
438931	NCH8-16Z/40 AC/DC 230V
438932	NCH8-16Z/40 AC/DC 110V
438933	NCH8-16Z/40 AC/DC 48V
438934	NCH8-16Z/40 AC/DC 24V
438935	NCH8-16Z/40 AC/DC 12V
438936	NCH8-16Z/04 AC/DC 230V
438937	NCH8-16Z/04 AC/DC 110V
438938	NCH8-16Z/04 AC/DC 48V
438939	NCH8-16Z/04 AC/DC 24V
438940	NCH8-16Z/04 AC/DC 12V
438941	NCH8-16Z/22 AC/DC 230V
438942	NCH8-16Z/22 AC/DC 110V
438943	NCH8-16Z/22 AC/DC 48V
438944	NCH8-16Z/22 AC/DC 24V
438945	NCH8-16Z/22 AC/DC 12V
438946	NCH8-16Z/31 AC/DC 230V
438947	NCH8-16Z/31 AC/DC 110V
438948	NCH8-16Z/31 AC/DC 48V
438949	NCH8-16Z/31 AC/DC 24V
438950	NCH8-16Z/31 AC/DC 12V
438951	NCH8-20Z/30 AC/DC 230V
438952	NCH8-20Z/30 AC/DC 110V
438953	NCH8-20Z/30 AC/DC 48V
438954	NCH8-20Z/30 AC/DC 24V
438955	NCH8-20Z/30 AC/DC 12V
438956	NCH8-20Z/03 AC/DC 230V
438957	NCH8-20Z/03 AC/DC 110V
438958	NCH8-20Z/03 AC/DC 48V
438959	NCH8-20Z/03 AC/DC 24V
438960	NCH8-20Z/03 AC/DC 12V
438961	NCH8-20Z/40 AC/DC 230V
438962	NCH8-20Z/40 AC/DC 110V
438963	NCH8-20Z/40 AC/DC 48V
438964	NCH8-20Z/40 AC/DC 24V
438965	NCH8-20Z/40 AC/DC 12V
438966	NCH8-20Z/04 AC/DC 230V
438967	NCH8-20Z/04 AC/DC 110V
438968	NCH8-20Z/04 AC/DC 48V
438969	NCH8-20Z/04 AC/DC 24V
438970	NCH8-20Z/04 AC/DC 12V
438971	NCH8-20Z/22 AC/DC 230V
438972	NCH8-20Z/22 AC/DC 110V
438973	NCH8-20Z/22 AC/DC 48V
438974	NCH8-20Z/22 AC/DC 24V

SKU	Model Description
438975	NCH8-20Z/22 AC/DC 12V
438976	NCH8-20Z/31 AC/DC 230V
438977	NCH8-20Z/31 AC/DC 110V
438978	NCH8-20Z/31 AC/DC 48V
438979	NCH8-20Z/31 AC/DC 24V
438980	NCH8-20Z/31 AC/DC 12V
438981	NCH8-25Z/30 AC/DC 230V
438982	NCH8-25Z/30 AC/DC 110V
438983	NCH8-25Z/30 AC/DC 48V
438984	NCH8-25Z/30 AC/DC 24V
438985	NCH8-25Z/30 AC/DC 12V
438986	NCH8-25Z/03 AC/DC 230V
438987	NCH8-25Z/03 AC/DC 110V
438988	NCH8-25Z/03 AC/DC 48V
438989	NCH8-25Z/03 AC/DC 24V
438990	NCH8-25Z/03 AC/DC 12V
438991	NCH8-25Z/40 AC/DC 230V
438992	NCH8-25Z/40 AC/DC 110V
438993	NCH8-25Z/40 AC/DC 48V
438994	NCH8-25Z/40 AC/DC 24V
438995	NCH8-25Z/40 AC/DC 12V
438996	NCH8-25Z/04 AC/DC 230V
438997	NCH8-25Z/04 AC/DC 110V
438998	NCH8-25Z/04 AC/DC 48V
439046	NCH8-25Z/04 AC/DC 24V
439047	NCH8-25Z/04 AC/DC 12V
439048	NCH8-25Z/22 AC/DC 230V
439049	NCH8-25Z/22 AC/DC 110V
439050	NCH8-25Z/22 AC/DC 48V
439051	NCH8-25Z/22 AC/DC 24V
439052	NCH8-25Z/22 AC/DC 12V
439053	NCH8-25Z/31 AC/DC 230V
439054	NCH8-25Z/31 AC/DC 110V
439055	NCH8-25Z/31 AC/DC 48V
439056	NCH8-25Z/31 AC/DC 24V
439057	NCH8-25Z/31 AC/DC 12V
439058	NCH8-32Z/30 AC/DC 230V
439059	NCH8-32Z/30 AC/DC 110V
439060	NCH8-32Z/30 AC/DC 48V
439061	NCH8-32Z/30 AC/DC 24V
439062	NCH8-32Z/30 AC/DC 12V
439063	NCH8-32Z/03 AC/DC 230V
439064	NCH8-32Z/03 AC/DC 110V
439065	NCH8-32Z/03 AC/DC 48V
439066	NCH8-32Z/03 AC/DC 24V
439067	NCH8-32Z/03 AC/DC 12V
439068	NCH8-32Z/40 AC/DC 230V
439069	NCH8-32Z/40 AC/DC 110V

SKU	Model Description
439070	NCH8-32Z/40 AC/DC 48V
439071	NCH8-32Z/40 AC/DC 24V
439072	NCH8-32Z/40 AC/DC 12V
439073	NCH8-32Z/04 AC/DC 230V
439074	NCH8-32Z/04 AC/DC 110V
439075	NCH8-32Z/04 AC/DC 48V
439076	NCH8-32Z/04 AC/DC 24V
439077	NCH8-32Z/04 AC/DC 12V
439078	NCH8-32Z/22 AC/DC 230V
439079	NCH8-32Z/22 AC/DC 110V
439080	NCH8-32Z/22 AC/DC 48V
439081	NCH8-32Z/22 AC/DC 24V
439082	NCH8-32Z/22 AC/DC 12V
439083	NCH8-32Z/31 AC/DC 230V
439084	NCH8-32Z/31 AC/DC 110V
439085	NCH8-32Z/31 AC/DC 48V
439086	NCH8-32Z/31 AC/DC 24V
439087	NCH8-32Z/31 AC/DC 12V
439088	NCH8-40Z/10 AC/DC 230V
439089	NCH8-40Z/10 AC/DC 110V
439090	NCH8-40Z/10 AC/DC 48V
439091	NCH8-40Z/10 AC/DC 24V
439092	NCH8-40Z/10 AC/DC 12V
439093	NCH8-40Z/01 AC/DC 230V
439094	NCH8-40Z/01 AC/DC 110V
439095	NCH8-40Z/01 AC/DC 48V
439096	NCH8-40Z/01 AC/DC 24V
439097	NCH8-40Z/01 AC/DC 12V
439098	NCH8-40Z/20 AC/DC 230V
439099	NCH8-40Z/20 AC/DC 110V
439100	NCH8-40Z/20 AC/DC 48V
439101	NCH8-40Z/20 AC/DC 24V
439102	NCH8-40Z/20 AC/DC 12V
439103	NCH8-40Z/02 AC/DC 230V
439104	NCH8-40Z/02 AC/DC 110V
439105	NCH8-40Z/02 AC/DC 48V
439106	NCH8-40Z/02 AC/DC 24V
439107	NCH8-40Z/02 AC/DC 12V
439108	NCH8-40Z/11 AC/DC 230V
439109	NCH8-40Z/11 AC/DC 110V
439110	NCH8-40Z/11 AC/DC 48V
439111	NCH8-40Z/11 AC/DC 24V
439112	NCH8-40Z/11 AC/DC 12V
439113	NCH8-63Z/10 AC/DC 230V
439114	NCH8-63Z/10 AC/DC 110V
439115	NCH8-63Z/10 AC/DC 48V
439116	NCH8-63Z/10 AC/DC 24V
439117	NCH8-63Z/10 AC/DC 12V

SKU	Model Description
439118	NCH8-63Z/01 AC/DC 230V
439119	NCH8-63Z/01 AC/DC 110V
439120	NCH8-63Z/01 AC/DC 48V
439121	NCH8-63Z/01 AC/DC 24V
439122	NCH8-63Z/01 AC/DC 12V
439123	NCH8-63Z/20 AC/DC 230V
439124	NCH8-63Z/20 AC/DC 110V
439125	NCH8-63Z/20 AC/DC 48V
439126	NCH8-63Z/20 AC/DC 24V
439127	NCH8-63Z/20 AC/DC 12V
439128	NCH8-63Z/02 AC/DC 230V
439129	NCH8-63Z/02 AC/DC 110V
439130	NCH8-63Z/02 AC/DC 48V
439131	NCH8-63Z/02 AC/DC 24V
439132	NCH8-63Z/02 AC/DC 12V
439133	NCH8-63Z/11 AC/DC 230V
439134	NCH8-63Z/11 AC/DC 110V
439135	NCH8-63Z/11 AC/DC 48V
439136	NCH8-63Z/11 AC/DC 24V
439137	NCH8-63Z/11 AC/DC 12V

SKU	Model Description
439138	NCH8-40Z/30 AC/DC 230V
439139	NCH8-40Z/30 AC/DC 110V
439140	NCH8-40Z/30 AC/DC 48V
439141	NCH8-40Z/30 AC/DC 24V
439142	NCH8-40Z/30 AC/DC 12V
439143	NCH8-40Z/03 AC/DC 230V
439144	NCH8-40Z/03 AC/DC 110V
439145	NCH8-40Z/03 AC/DC 48V
439146	NCH8-40Z/03 AC/DC 24V
439147	NCH8-40Z/03 AC/DC 12V
439148	NCH8-40Z/40 AC/DC 230V
439149	NCH8-40Z/40 AC/DC 110V
439150	NCH8-40Z/40 AC/DC 48V
439151	NCH8-40Z/40 AC/DC 24V
439152	NCH8-40Z/40 AC/DC 12V
439153	NCH8-40Z/04 AC/DC 230V
439154	NCH8-40Z/04 AC/DC 110V
439155	NCH8-40Z/04 AC/DC 48V
439156	NCH8-40Z/04 AC/DC 24V
439157	NCH8-40Z/04 AC/DC 12V

SKU	Model Description
439158	NCH8-40Z/22 AC/DC 230V
439159	NCH8-40Z/22 AC/DC 110V
439160	NCH8-40Z/22 AC/DC 48V
439161	NCH8-40Z/22 AC/DC 24V
439162	NCH8-40Z/22 AC/DC 12V
439163	NCH8-40Z/31 AC/DC 230V
439164	NCH8-40Z/31 AC/DC 110V
439165	NCH8-40Z/31 AC/DC 48V
439166	NCH8-40Z/31 AC/DC 24V
439167	NCH8-40Z/31 AC/DC 12V
439168	NCH8-63Z/30 AC/DC 230V
439169	NCH8-63Z/30 AC/DC 110V
439170	NCH8-63Z/30 AC/DC 48V
439171	NCH8-63Z/30 AC/DC 24V
439172	NCH8-63Z/30 AC/DC 12V
439173	NCH8-63Z/03 AC/DC 230V
439174	NCH8-63Z/03 AC/DC 110V
439175	NCH8-63Z/03 AC/DC 48V
439176	NCH8-63Z/03 AC/DC 24V
439177	NCH8-63Z/03 AC/DC 12V

SKU	Model Description
439178	NCH8-63Z/40 AC/DC 230V
439179	NCH8-63Z/40 AC/DC 110V
439180	NCH8-63Z/40 AC/DC 48V
439181	NCH8-63Z/40 AC/DC 24V
439182	NCH8-63Z/40 AC/DC 12V
439183	NCH8-63Z/04 AC/DC 230V
439184	NCH8-63Z/04 AC/DC 110V
439185	NCH8-63Z/04 AC/DC 48V
439186	NCH8-63Z/04 AC/DC 24V
439187	NCH8-63Z/04 AC/DC 12V
439188	NCH8-63Z/22 AC/DC 230V
439189	NCH8-63Z/22 AC/DC 110V
439190	NCH8-63Z/22 AC/DC 48V
439191	NCH8-63Z/22 AC/DC 24V
439192	NCH8-63Z/22 AC/DC 12V
439193	NCH8-63Z/31 AC/DC 230V
439194	NCH8-63Z/31 AC/DC 110V
439195	NCH8-63Z/31 AC/DC 48V
439196	NCH8-63Z/31 AC/DC 24V
439197	NCH8-63Z/31 AC/DC 12V