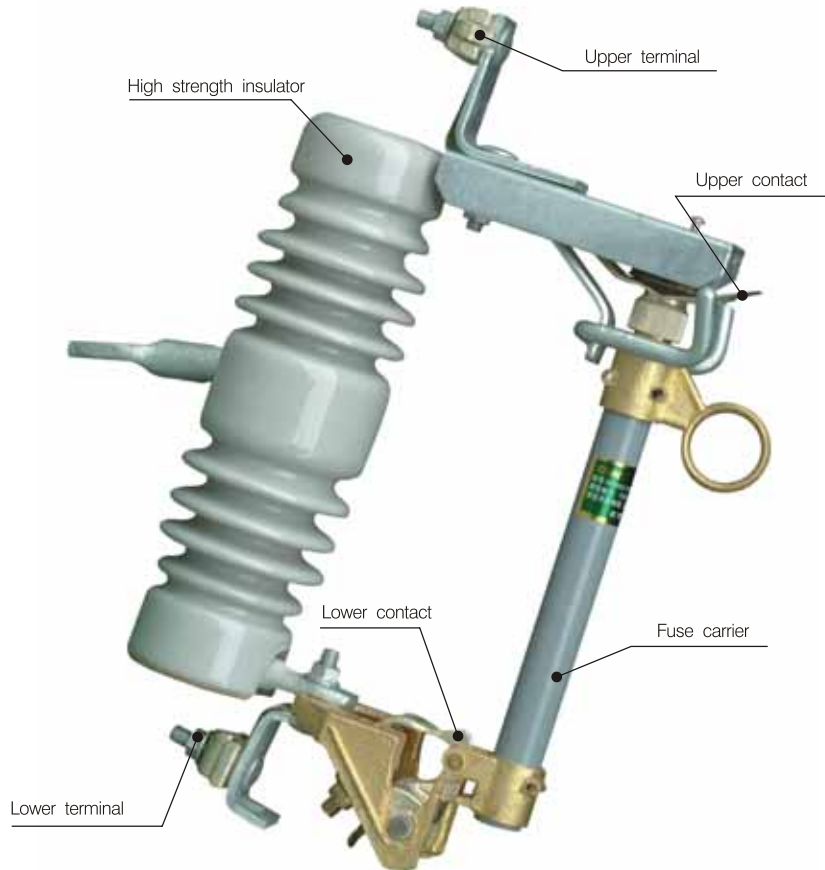


Cut-out Fuse Series

1 General

The fuses are fitted in HV side of distribution transformer or distribution branches, used as short circuit and over-load protection as well as the opening and closing load current. The cut-out fuse features with excellent over-current protection, high power frequency withstand voltage and anti-lightning impulse withstand voltage, high breaking current and high mechanics strength etc.

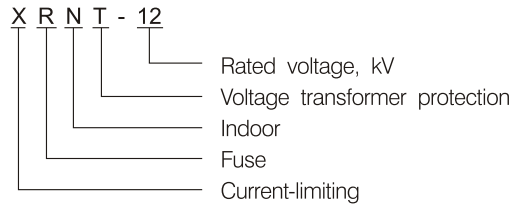
Standard: IEC 60282-1: 2009, IEC 60282-2: 2008, ANSI, etc.



2 Type Designation

□ R W 12-36 □/100

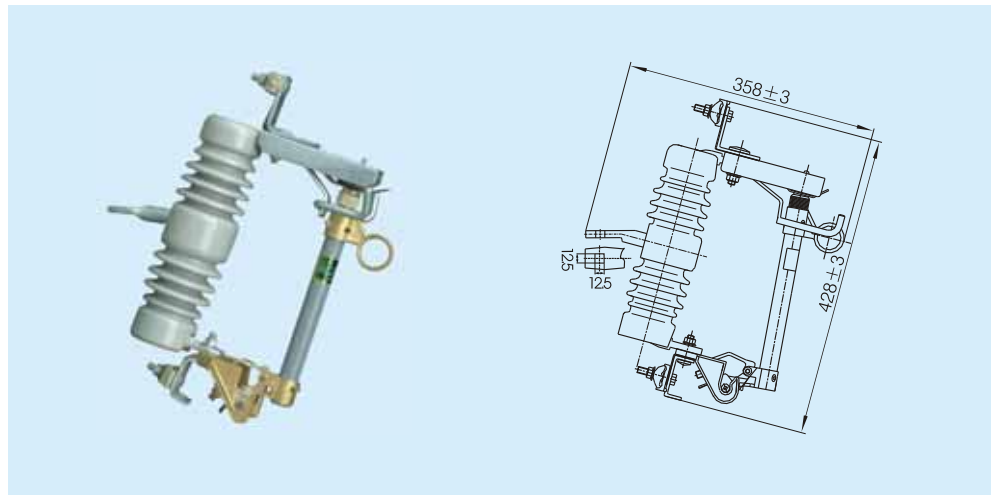
- Max. rated current: A
- Other marks: F--breaking device with load, B--with surge arrester
- Rated voltage: kV (r.m.s.)
- Design series number
- Application places: N--indoor, W--outdoor
- Product name: R--porcelain insulating fuse, HR--composite insulating fuse
- Feature of structure: X--current limit type, P--spraying type
(The letter "p" is negligible)



3 Main Technical Parameter

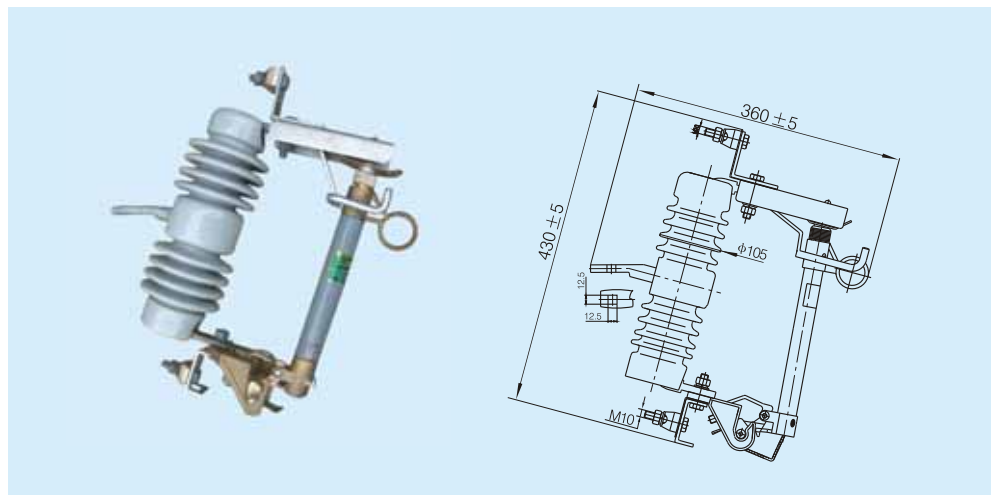
3.1 12kV~15kV Cut-out Fuses

| Model | Rated voltage (kV) | Rated current (A) | Max. rated breaking current (kA) | Power frequency withstand voltage (dry) (kV _{r.m.s}) 1min | Lightening impulse withstand voltage (kV _p) | Creepage distance (mm) | Reference weight (kg) |
|-----------|--------------------|-------------------|----------------------------------|---|---|------------------------|-----------------------|
| RW12-12-1 | 12 | 100 | 8 | 50 | 110 | 250 | 5.7 |
| | 12 | 200 | 8 | 50 | 110 | 250 | 5.9 |



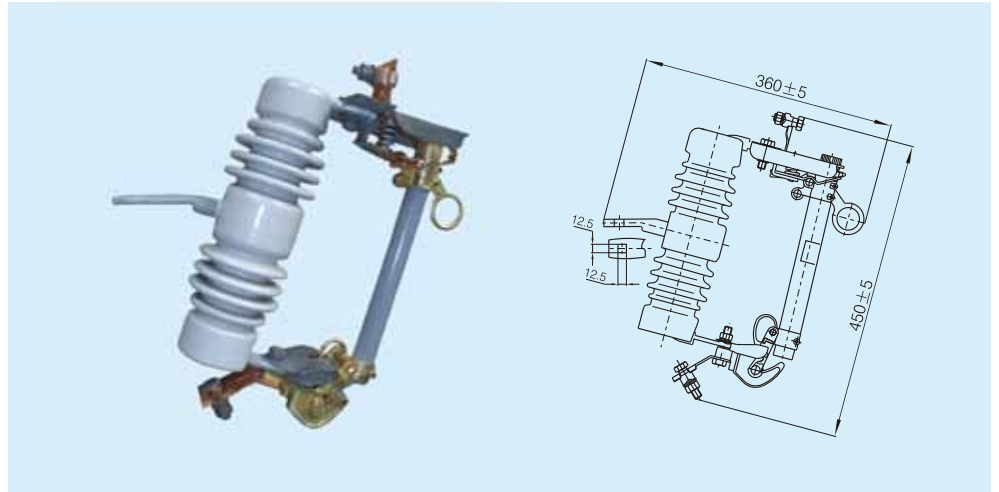
3.2 12kV~15kV Cut-out Fuses

| Model | Rated voltage (kV) | Rated current (A) | Max. rated breaking current (kA) | Power frequency withstand voltage (dry) (kV _{r.m.s}) 1min | Lightening impulse withstand voltage (kV _p) | Creepage distance (mm) | Reference weight (kg) |
|-----------|--------------------|-------------------|----------------------------------|---|---|------------------------|-----------------------|
| RW12-12-2 | 12 | 100 | 8 | 50 | 110 | 300 | 6.2 |
| | 12 | 200 | 8 | 50 | 110 | 300 | 6.4 |



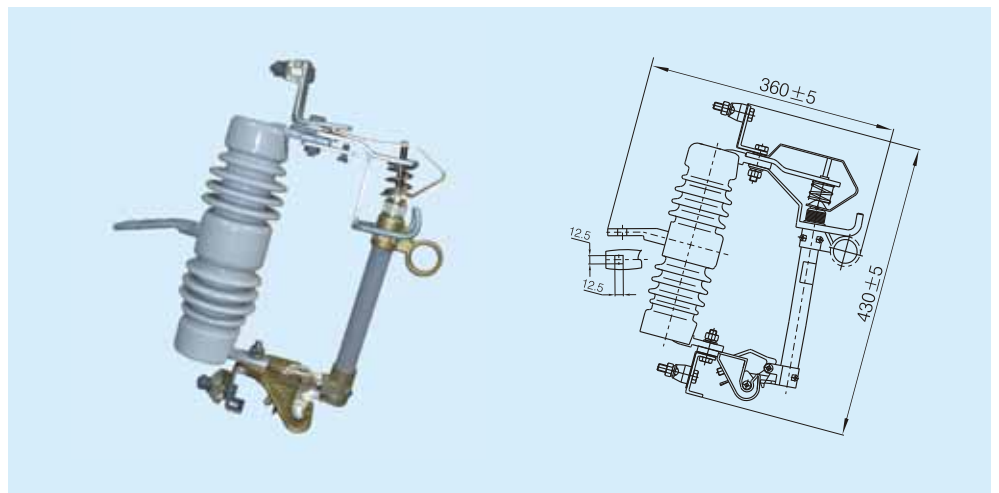
3.3 12kV~15kV Cut-out Fuses

| Model | Rated voltage (kV) | Rated current (A) | Max. rated breaking current (kA) | Power frequency withstand voltage (dry) (kV _{r.m.s}) 1min | Lightening impulse withstand voltage (kVp) | Creepage distance (mm) | Reference weight (kg) |
|-----------|--------------------|-------------------|----------------------------------|---|--|------------------------|-----------------------|
| RW12-12-3 | 12 | 100 | 8 | 50 | 110 | 250 | 5.7 |
| | 12 | 200 | 8 | 50 | 110 | 250 | 5.9 |



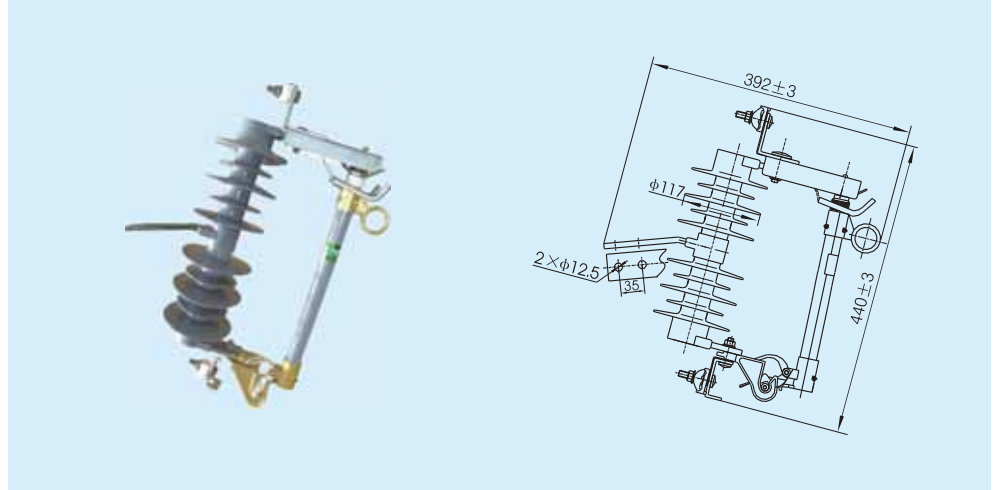
3.4 12kV~15kV Cut-out Fuses

| Model | Rated voltage (kV) | Rated current (A) | Max. rated breaking current (kA) | Power frequency withstand voltage (dry) (kV _{r.m.s}) 1min | Lightening impulse withstand voltage (kVp) | Creepage distance (mm) | Reference weight (kg) |
|-----------|--------------------|-------------------|----------------------------------|---|--|------------------------|-----------------------|
| RW12-12-4 | 12 | 100 | 8 | 50 | 110 | 250 | 5.7 |
| | 12 | 200 | 8 | 50 | 110 | 250 | 5.9 |



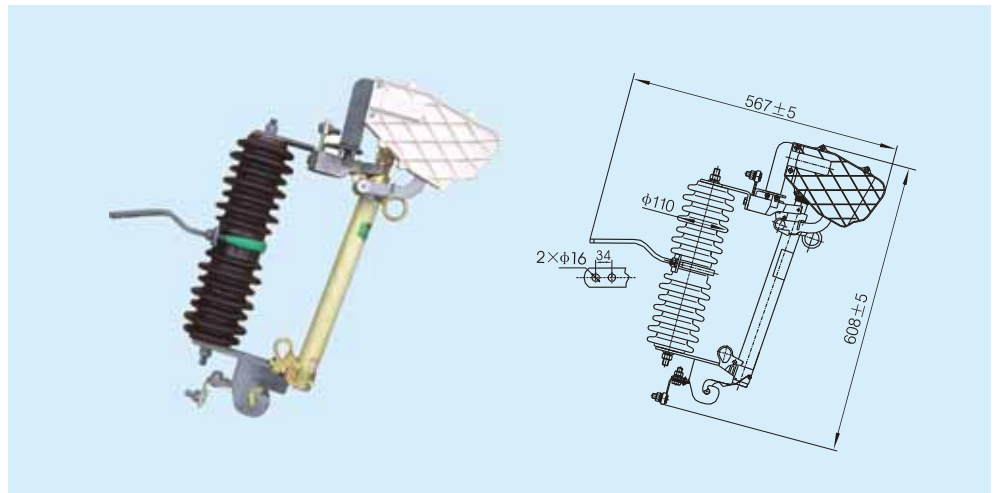
3.5 12kV~15kV Cut-out Fuses

| Model | Rated voltage (kV) | Rated current (A) | Max. rated breaking current (kA) | Power frequency withstand voltage (dry) (kV _{r.m.s}) 1min | Lightening impulse withstand voltage (kV _P) | Creepage distance (mm) | Reference weight (kg) |
|------------|--------------------|-------------------|----------------------------------|---|---|------------------------|-----------------------|
| HRW12-12-5 | 12 | 100 | 8 | 50 | 110 | 440 | 3.6 |
| | 12 | 200 | 8 | 50 | 110 | 440 | 3.8 |



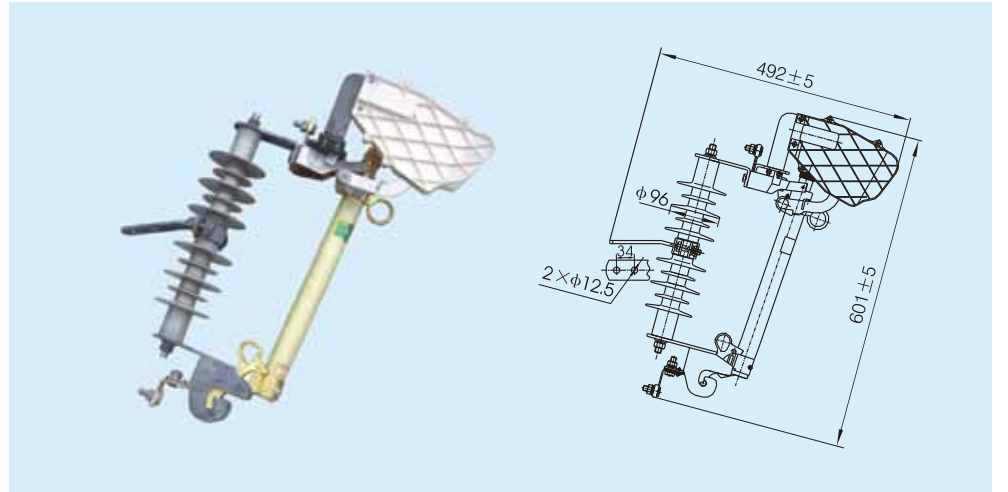
3.6 12kV~15kV Cut-out Fuses

| Model | Rated voltage (kV) | Rated current (A) | Max. rated breaking current (kA) | Power frequency withstand voltage (dry) (kV _{r.m.s}) 1min | Lightening impulse withstand voltage (kV _P) | Creepage distance (mm) | Reference weight (kg) |
|-------------|--------------------|-------------------|----------------------------------|---|---|------------------------|-----------------------|
| PRWG1-12F-6 | 12 | 100 | 8 | 50 | 110 | 315 | 7.4 |
| | 12 | 200 | 8 | 50 | 110 | 315 | 7.6 |



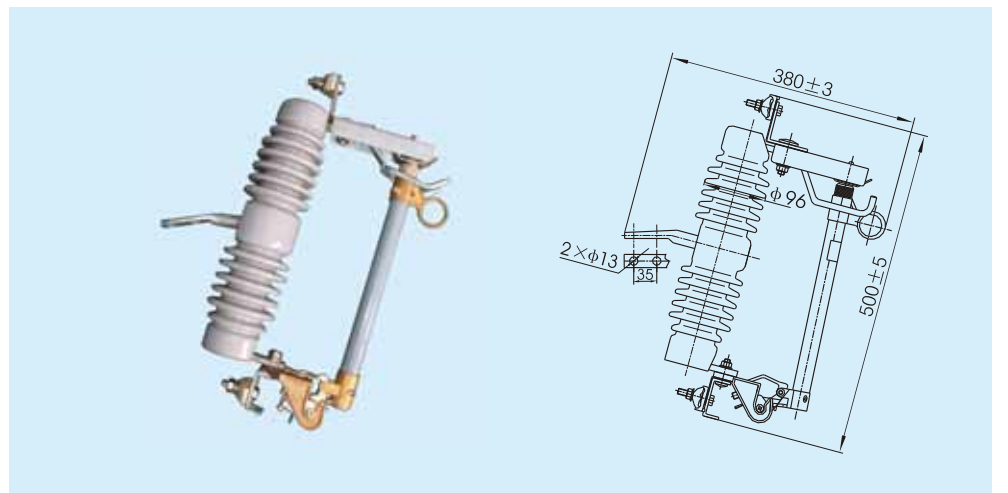
3.7 12kV~15kV Cut-out Fuses

| Model | Rated voltage (kV) | Rated current (A) | Max. rated breaking current (kA) | Power frequency withstand voltage (dry) (kV _{r.m.s}) 1min | Lightening impulse withstand voltage (kV _P) | Creepage distance (mm) | Reference weight (kg) |
|--------------|--------------------|-------------------|----------------------------------|---|---|------------------------|-----------------------|
| HPRWG1-12F-7 | 12 | 100 | 8 | 50 | 110 | 374 | 5.2 |
| | 12 | 200 | 8 | 50 | 110 | 374 | 5.4 |



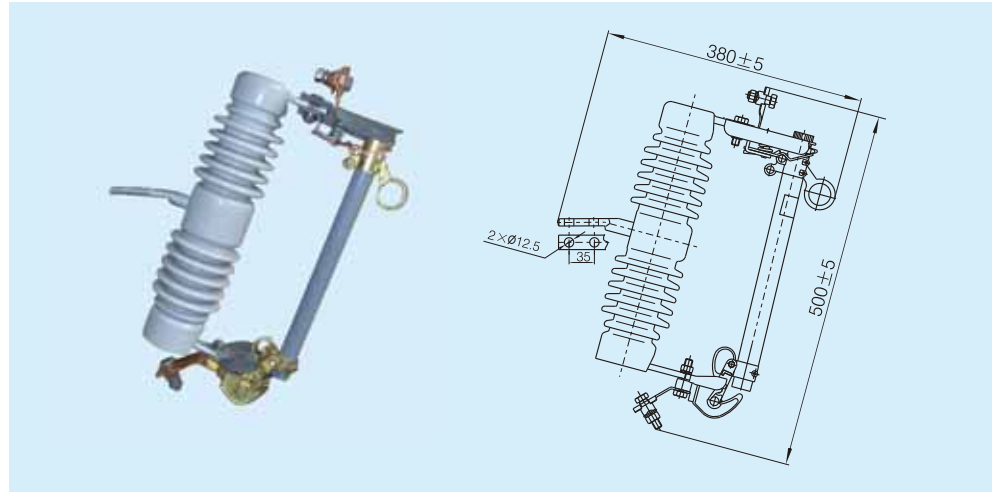
3.8 24kV~27kV Cut-out Fuses

| Model | Rated voltage (kV) | Rated current (A) | Max. rated breaking current (kA) | Power frequency withstand voltage (dry) (kV _{r.m.s}) 1min | Lightening impulse withstand voltage (kV _P) | Creepage distance (mm) | Reference weight (kg) |
|-----------|--------------------|-------------------|----------------------------------|---|---|------------------------|-----------------------|
| RW12-24-8 | 24 | 100 | 8 | 70 | 150 | 350 | 7.1 |
| | 24 | 200 | 8 | 70 | 150 | 350 | 7.3 |



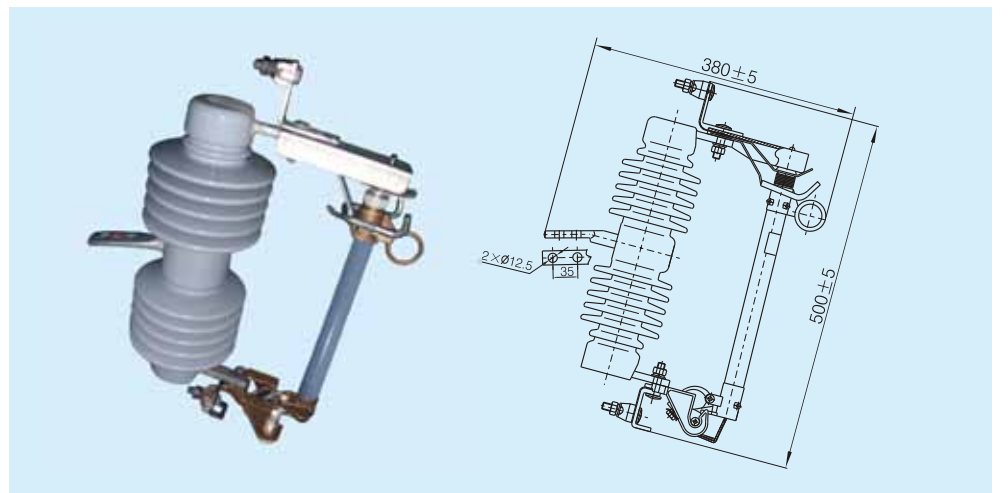
3.9 24kV~27kV Cut-out Fuses

| Model | Rated voltage (kV) | Rated current (A) | Max. rated breaking current (kA) | Power frequency withstand voltage (dry) (kV _{r.m.s}) 1min | Lightening impulse withstand voltage (kV _P) | Creepage distance (mm) | Reference weight (kg) |
|-----------|--------------------|-------------------|----------------------------------|---|---|------------------------|-----------------------|
| RW12-24-9 | 24 | 100 | 8 | 70 | 150 | 350 | 7.1 |
| | 24 | 200 | 8 | 70 | 150 | 350 | 7.3 |



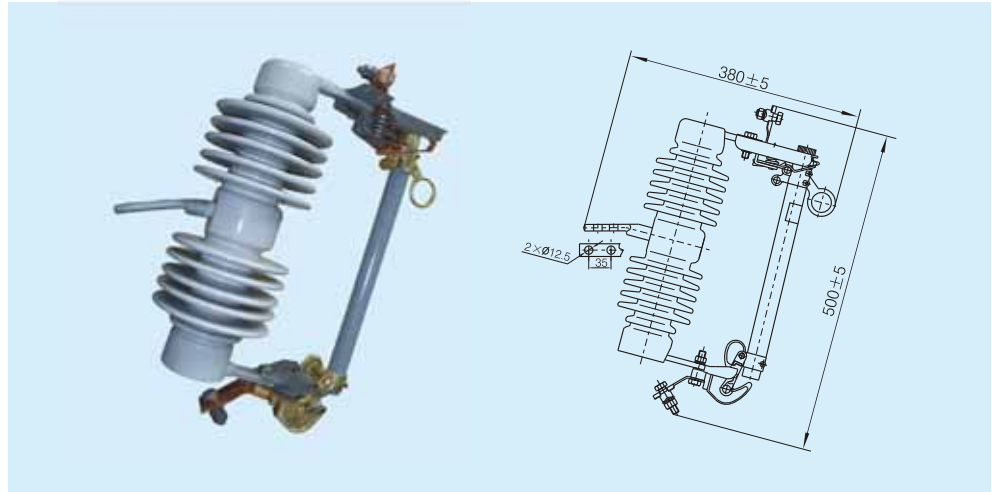
3.10 24kV~27kV Cut-out Fuses

| Model | Rated voltage (kV) | Rated current (A) | Max. rated breaking current (kA) | Power frequency withstand voltage (dry) (kV _{r.m.s}) 1min | Lightening impulse withstand voltage (kV _P) | Creepage distance (mm) | Reference weight (kg) |
|------------|--------------------|-------------------|----------------------------------|---|---|------------------------|-----------------------|
| RW12-24-10 | 24 | 100 | 8 | 70 | 150 | 540 | 8.3 |
| | 24 | 200 | 8 | 70 | 150 | 540 | 8.6 |



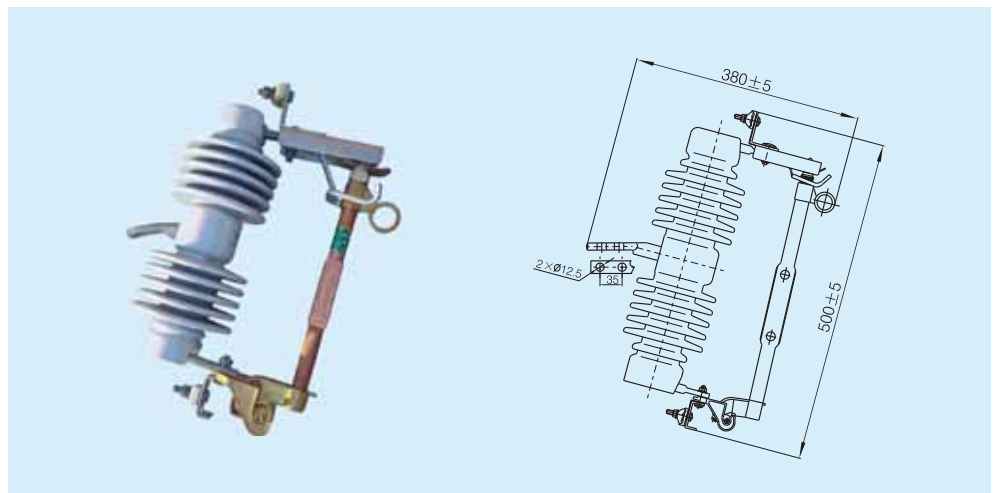
3.11 24kV~27kV Cut-out Fuses

| Model | Rated voltage (kV) | Rated current (A) | Max. rated breaking current (kA) | Power frequency withstand voltage (dry) (kV _{r.m.s}) 1min | Lightening impulse withstand voltage (kV _P) | Creepage distance (mm) | Reference weight (kg) |
|------------|--------------------|-------------------|----------------------------------|---|---|------------------------|-----------------------|
| RW12-24-11 | 24 | 100 | 8 | 70 | 150 | 540 | 8.3 |
| | 24 | 200 | 8 | 70 | 150 | 540 | 8.6 |



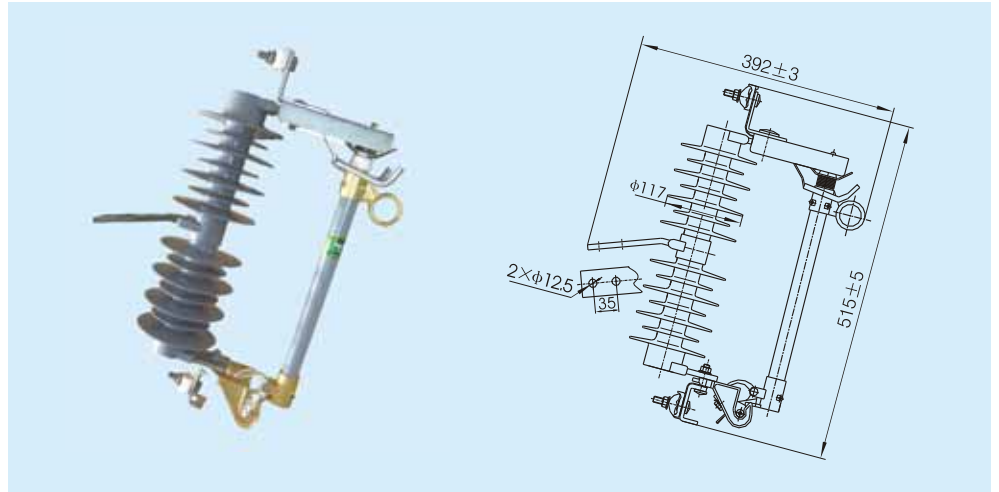
3.12 24kV~27kV Cut-out Fuses

| Model | Rated voltage (kV) | Rated current (A) | Max. rated breaking current (kA) | Power frequency withstand voltage (dry) (kV _{r.m.s}) 1min | Lightening impulse withstand voltage (kV _P) | Creepage distance (mm) | Reference weight (kg) |
|------------|--------------------|-------------------|----------------------------------|---|---|------------------------|-----------------------|
| RW12-24-12 | 24 | 300 | / | 70 | 150 | 540 | 8.7 |
| | 24 | 300 | / | 70 | 150 | 540 | 8.7 |



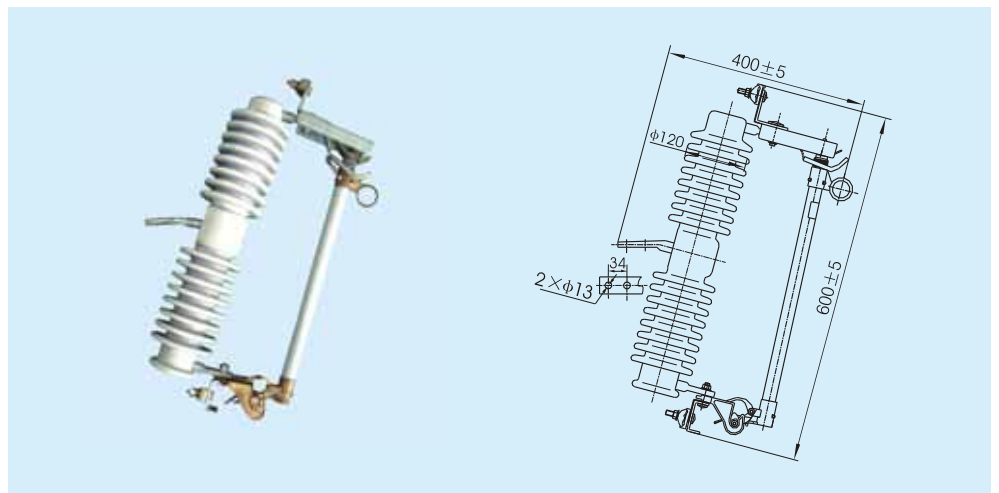
3.13 24kV~27kV Cut-out Fuses

| Model | Rated voltage (kV) | Rated current (A) | Max. rated breaking current (kA) | Power frequency withstand voltage (dry) (kV _{r.m.s}) 1min | Lightening impulse withstand voltage (kV _P) | Creepage distance (mm) | Reference weight (kg) |
|-------------|--------------------|-------------------|----------------------------------|---|---|------------------------|-----------------------|
| HRW12-24-13 | 24 | 100 | 8 | 70 | 150 | 600 | 4.6 |
| | 24 | 200 | 8 | 70 | 150 | 600 | 4.9 |



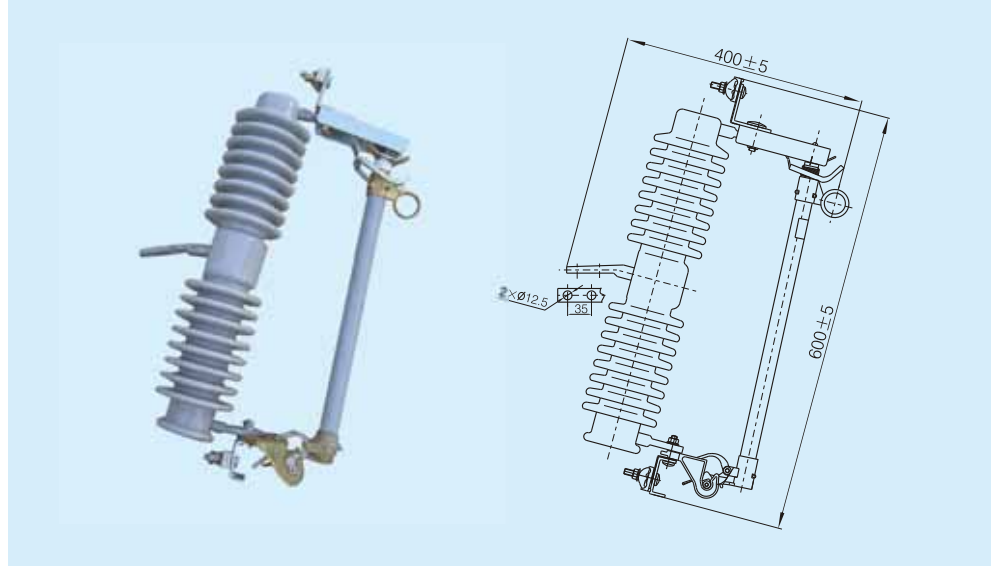
3.14 33kV~38kV Cut-out Fuses

| Model | Rated voltage (kV) | Rated current (A) | Max. rated breaking current (kA) | Power frequency withstand voltage (dry) (kV _{r.m.s}) 1min | Lightening impulse withstand voltage (kV _P) | Creepage distance (mm) | Reference weight (kg) |
|------------|--------------------|-------------------|----------------------------------|---|---|------------------------|-----------------------|
| RW12-36-14 | 36 | 100 | 8 | 95 | 170 | 600 | 15.5 |
| | 36 | 200 | 8 | 95 | 170 | 600 | 15.8 |



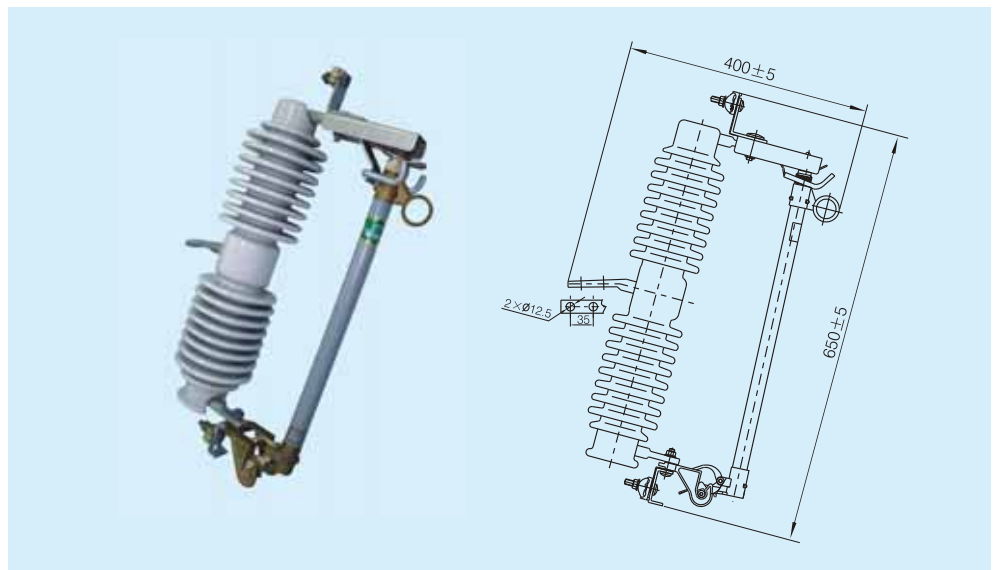
3.15 33kV~38kV Cut-out Fuses

| Model | Rated voltage (kV) | Rated current (A) | Max. rated breaking current (kA) | Power frequency withstand voltage (dry) (kV _{r.m.s.}) 1min | Lightening impulse withstand voltage (kV _P) | Creepage distance (mm) | Reference weight (kg) |
|------------|--------------------|-------------------|----------------------------------|--|---|------------------------|-----------------------|
| RW12-36-15 | 36 | 100 | 8 | 95 | 170 | 660 | 16.0 |
| | 36 | 200 | 8 | 95 | 170 | 660 | 16.4 |



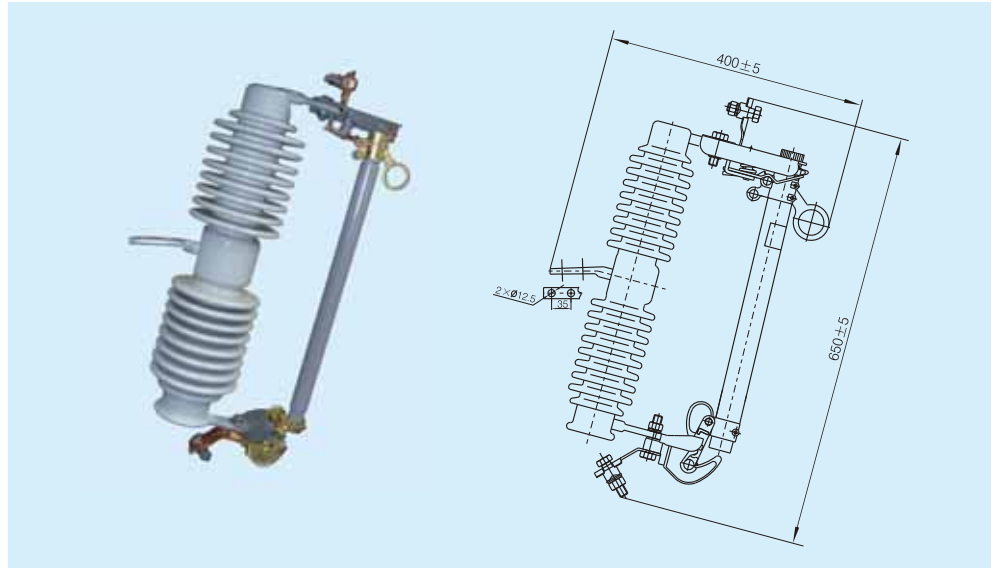
3.16 33kV~38kV Cut-out Fuses

| Model | Rated voltage (kV) | Rated current (A) | Max. rated breaking current (kA) | Power frequency withstand voltage (dry) (kV _{r.m.s.}) 1min | Lightening impulse withstand voltage (kV _P) | Creepage distance (mm) | Reference weight (kg) |
|------------|--------------------|-------------------|----------------------------------|--|---|------------------------|-----------------------|
| RW12-36-16 | 36 | 100 | 8 | 95 | 200 | 720 | 16.0 |
| | 36 | 200 | 8 | 95 | 200 | 720 | 16.4 |



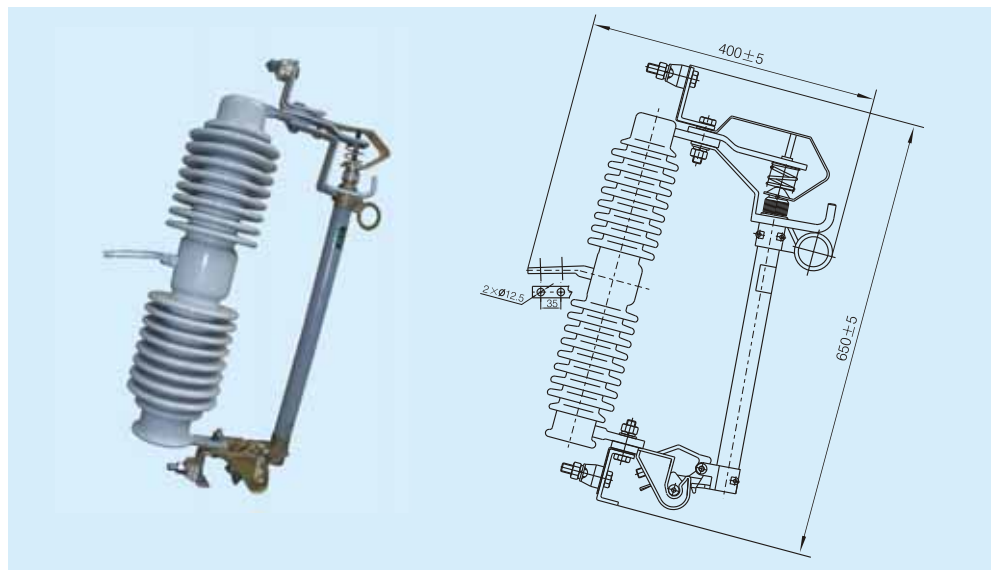
3.17 33kV~38kV Cut-out Fuses

| Model | Rated voltage (kV) | Rated current (A) | Max. rated breaking current (kA) | Power frequency withstand voltage (dry) (kV _{r.m.s}) 1min | Lightening impulse withstand voltage (kV _P) | Creepage distance (mm) | Reference weight (kg) |
|------------|--------------------|-------------------|----------------------------------|---|---|------------------------|-----------------------|
| RW12-36-17 | 36 | 100 | 8 | 95 | 200 | 720 | 16.0 |
| | 36 | 200 | 8 | 95 | 200 | 720 | 16.4 |



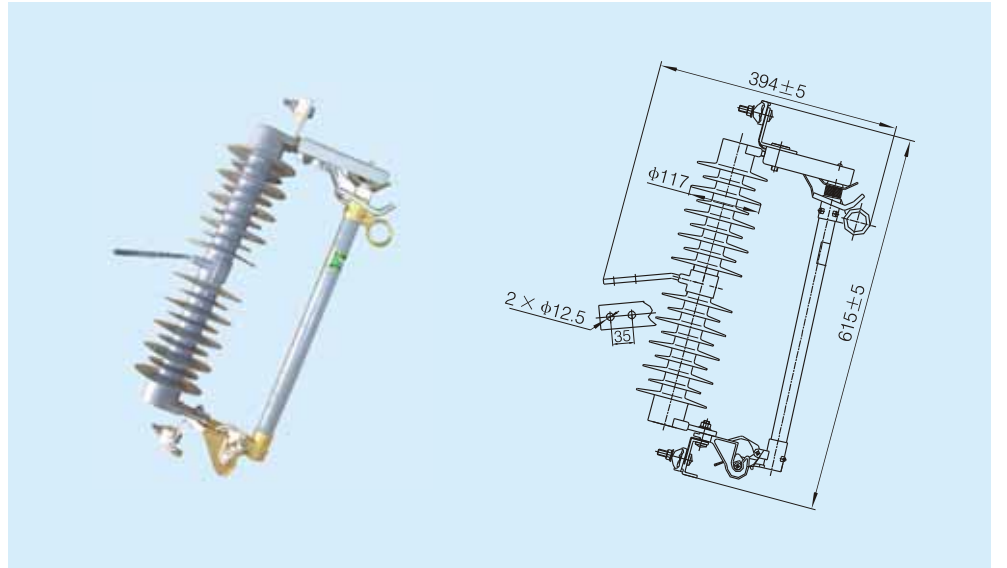
3.18 33kV~38kV Cut-out Fuses

| Model | Rated voltage (kV) | Rated current (A) | Max. rated breaking current (kA) | Power frequency withstand voltage (dry) (kV _{r.m.s}) 1min | Lightening impulse withstand voltage (kV _P) | Creepage distance (mm) | Reference weight (kg) |
|------------|--------------------|-------------------|----------------------------------|---|---|------------------------|-----------------------|
| RW12-36-18 | 36 | 100 | 8 | 95 | 200 | 720 | 16.0 |
| | 36 | 200 | 8 | 95 | 200 | 720 | 16.4 |



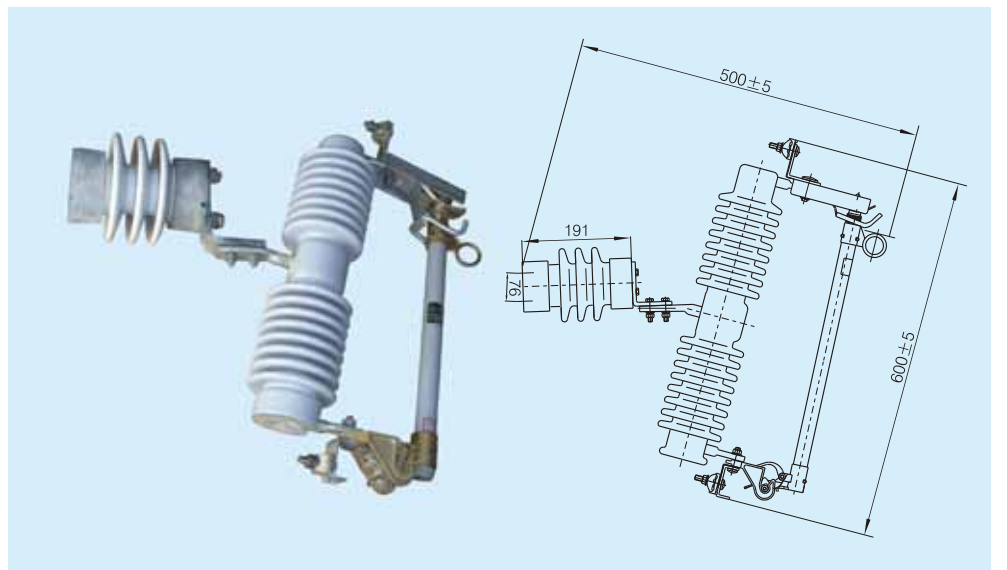
3.19 33kV~38kV Cut-out Fuses

| Model | Rated voltage (kV) | Rated current (A) | Max. rated breaking current (kA) | Power frequency withstand voltage (dry) (kV _{r.m.s}) 1min | Lightening impulse withstand voltage (kV _P) | Creepage distance (mm) | Reference weight (kg) |
|-------------|--------------------|-------------------|----------------------------------|---|---|------------------------|-----------------------|
| HRW12-36-19 | 36 | 100 | 8 | 95 | 200 | 790 | 5.6 |
| | 36 | 200 | 8 | 95 | 200 | 790 | 5.8 |



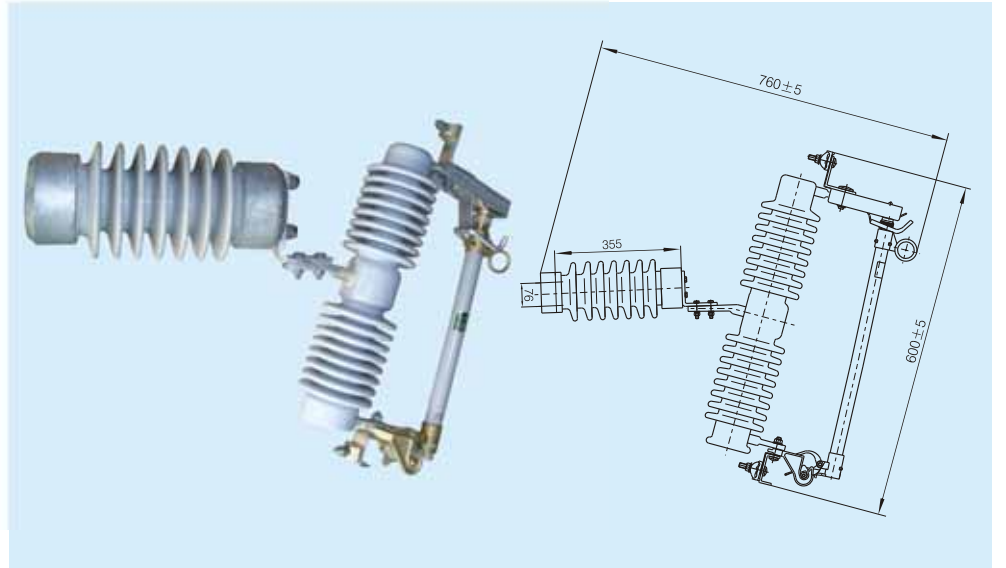
3.20 33kV~38kV Cut-out Fuses

| Model | Rated voltage (kV) | Rated current (A) | Max. rated breaking current (kA) | Power frequency withstand voltage (dry) (kV _{r.m.s}) 1min | Lightening impulse withstand voltage (kV _P) | Creepage distance (mm) | Reference weight (kg) |
|------------|--------------------|-------------------|----------------------------------|---|---|------------------------|-----------------------|
| RW12-38-20 | 38 | 100 | 8 | 105 | 200 | 920 | 26.0 |
| | 38 | 200 | 8 | 105 | 200 | 920 | 26.5 |



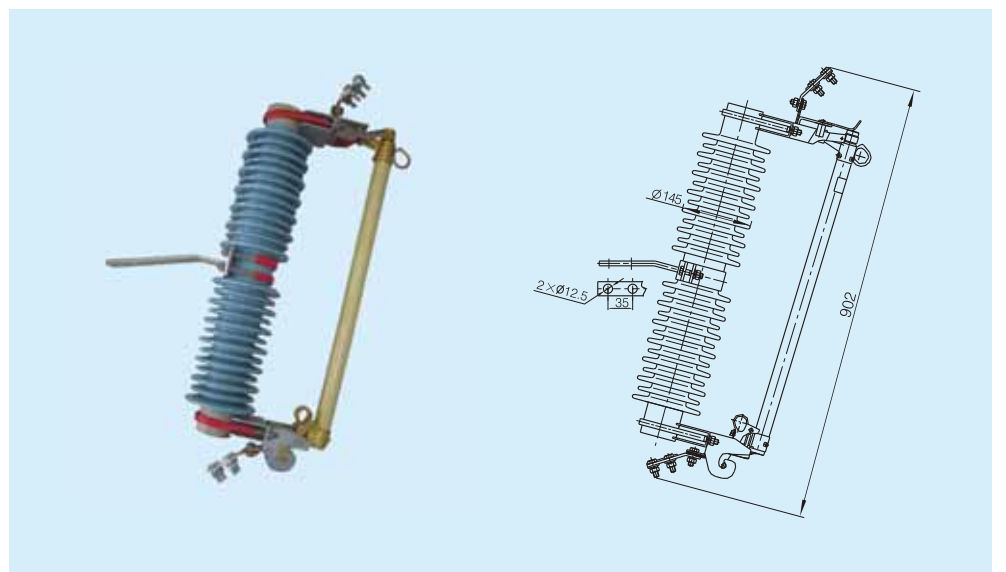
3.21 33kV~38kV Cut-out Fuses

| Model | Rated voltage (kV) | Rated current (A) | Max. rated breaking current (kA) | Power frequency withstand voltage (dry) (kV _{r.m.s}) 1min | Lightening impulse withstand voltage (kV _P) | Creepage distance (mm) | Reference weight (kg) |
|------------|--------------------|-------------------|----------------------------------|---|---|------------------------|-----------------------|
| FW12-38-21 | 38 | 100 | 8 | 105 | 200 | 1320 | 30.0 |
| | 38 | 200 | 8 | 105 | 200 | 1320 | 30.6 |



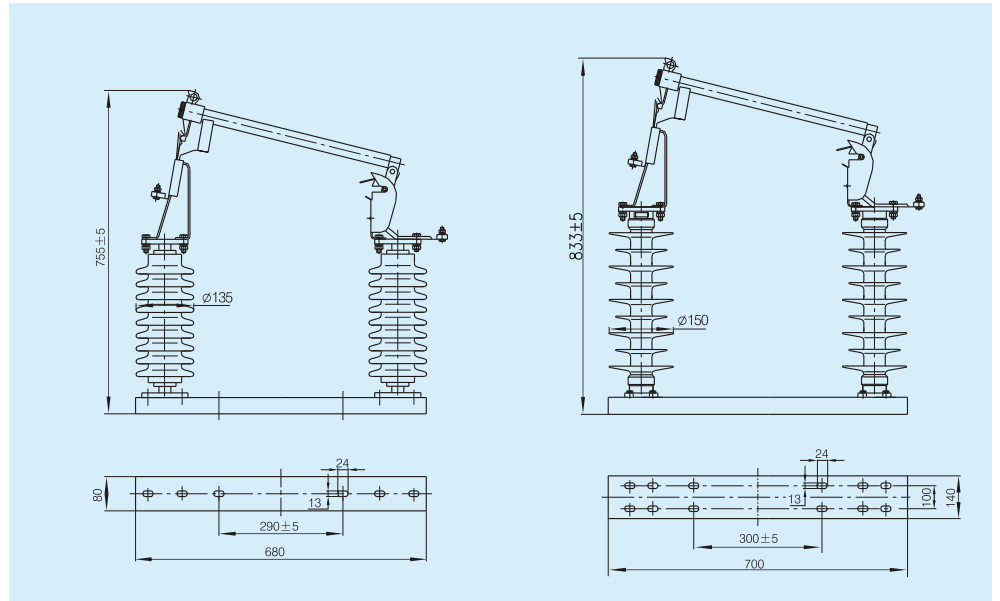
3.22 33kV~38kV Cut-out Fuses

| Model | Rated voltage (kV) | Rated current (A) | Max. rated breaking current (kA) | Power frequency withstand voltage (dry) (kV _{r.m.s}) 1min | Lightening impulse withstand voltage (kV _P) | Creepage distance (mm) | Reference weight (kg) |
|-------------|--------------------|-------------------|----------------------------------|---|---|------------------------|-----------------------|
| PRWG2-38-22 | 38 | 100 | 6.3 | 105 | 200 | 870 | 18.5 |
| | 38 | 200 | 6.3 | 105 | 200 | 870 | 19.0 |



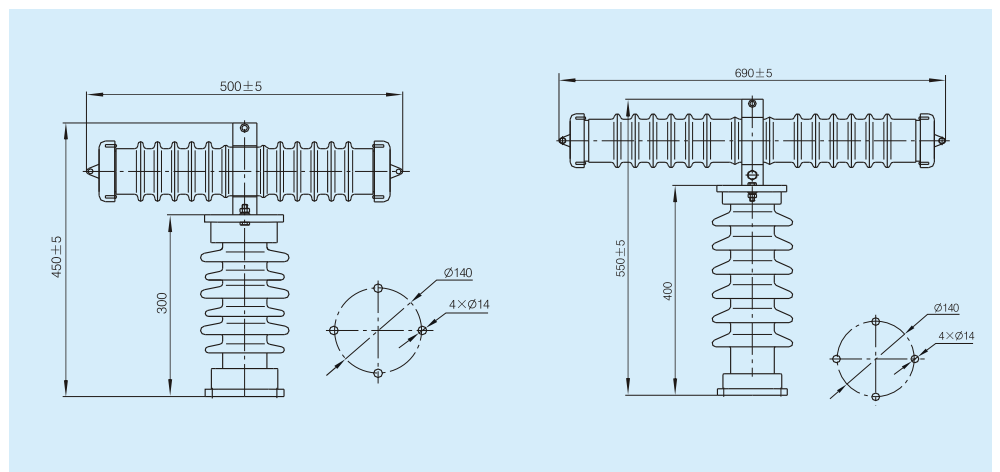
3.23 33kV~38kV Cut-out Fuses

| Model | Rated voltage (kV) | Rated current (A) | Max. rated breaking current (kA) | Power frequency withstand voltage (dry) (kV _{r.m.s}) 1min | Lightening impulse withstand voltage (kV _P) | Creepage distance (mm) | Reference weight (kg) |
|--------------|--------------------|-------------------|----------------------------------|---|---|------------------------|-----------------------|
| RW10-36/100 | 36 | 100 | 5.0 | 95 | 185 | 800 | 21.0 |
| RW10-36/200 | 36 | 200 | 8.0 | 95 | 185 | 800 | 22.0 |
| HRW10-36/100 | 36 | 100 | 5.0 | 95 | 185 | 1080 | 14.5 |
| HRW10-36/200 | 36 | 200 | 8.0 | 95 | 185 | 1080 | 15.0 |



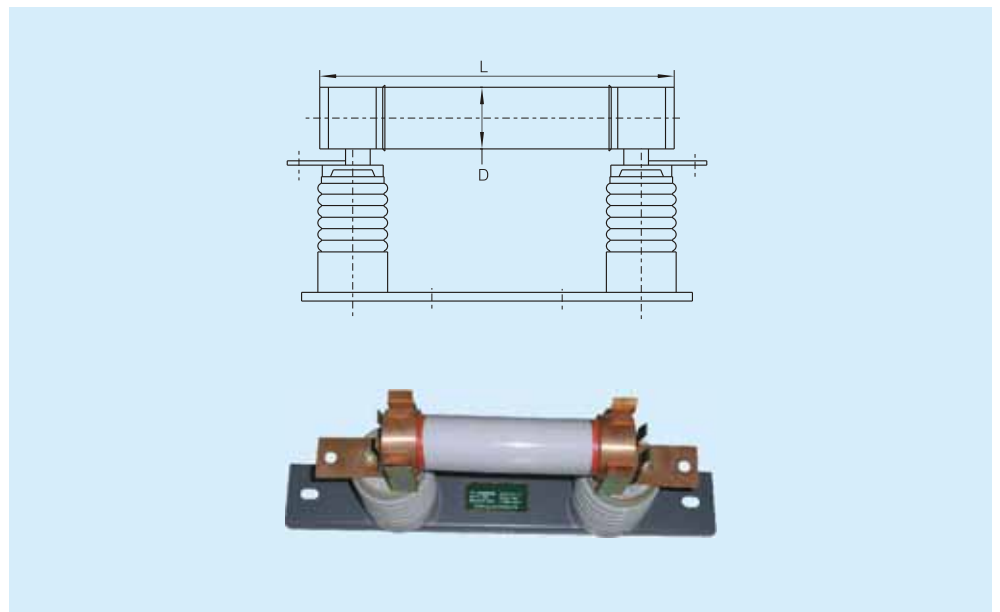
3.24 10kV~36kV Cut-out Fuses

| Model | Rated voltage (kV) | Rated current (A) | Max. rated breaking current (kA) | Power frequency withstand voltage (dry) (kV _{r.m.s}) 1min | Over-voltage times | Creepage distance (mm) | Reference weight (kg) |
|-------------------|--------------------|-------------------|----------------------------------|---|--------------------|------------------------|-----------------------|
| XRWO-10 (RW10-10) | 10 | 0.2 0.5 1 2 | 50 | 75 | ≤2.5 | 965 | 12.0 |
| XRWO-36 (RW10-36) | 36 | 3.15 5 7.5 10 | 31.5 | 185 | | 1155 | 16.0 |



3.25 12kV~36kV Cut-out Fuses

| Model | Counter part | Rated voltage (kV) | Rated current (A) | Max. rated breaking current (kA) | Rated current of the fuse limit (A) | Diameter (mm) | Length (mm) | Reference weight (kg) |
|-------------|--------------|--------------------|-------------------|----------------------------------|-------------------------------------|---------------|-------------|-----------------------|
| XRNT1-12-23 | SDLAJ | 12~36 | 63~200 | 50 | 6.3, 10, | φ 52 | 192 | 4.5~15 |
| | SFLAJ | | | | 16, 20, 25, | | 264 | |
| | SKLAJ | | | | 31.5, 40, | | 292 | |
| | SKLAJ | | | | 50, 63, 71, | | 367 | |
| | FFLNJ | | | | 80, 100, | | 369 | |
| | BDG | | | | 125, 160, | | 442 | |
| | AKG | | | | 200 | | 537 | |



4 Accessory

Mounting bracket for Cut-out Fuse

