



## BH-0.66 I Current Transformers

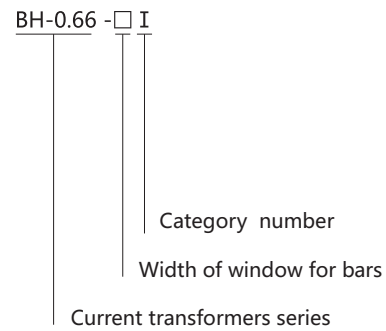
### 1. General

To be used in combination with measurement instruments: ammeters, watt-hour meters, measurement units, control relays, etc.


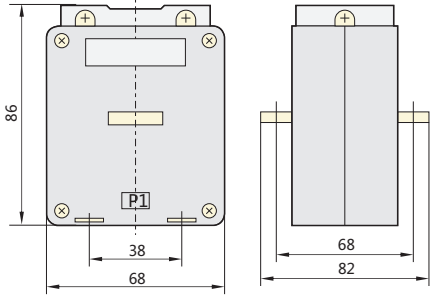

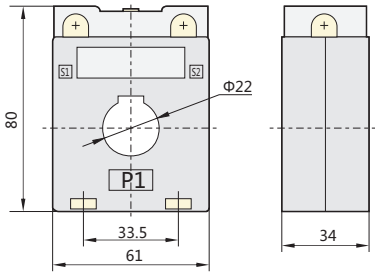

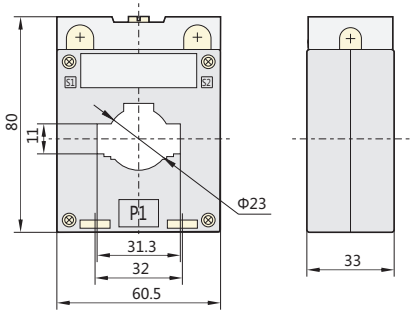
### 2. Operating conditions


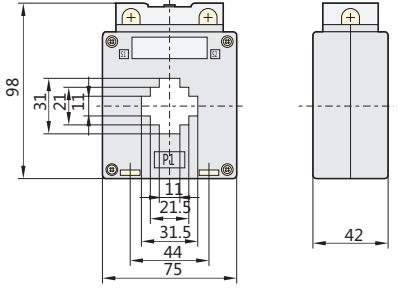

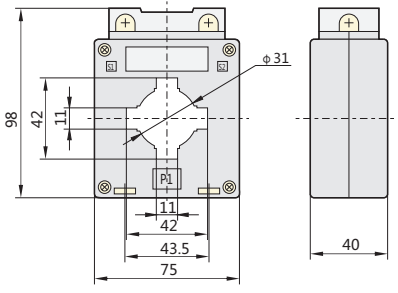
- 2.1 Secondary current Isn: 5A
- 2.2 Rated voltage Ue: 660 V
- 2.3 Frequency: 50Hz/60Hz
- 2.4 Operating temperature: -5°C to +40°C, humidity <80%
- 2.5 Altitude: ≤1000m
- 2.6 Standards: IEC 61869-2
- 2.7 Installation type: busbar or plate fixing

### 3. Type designation


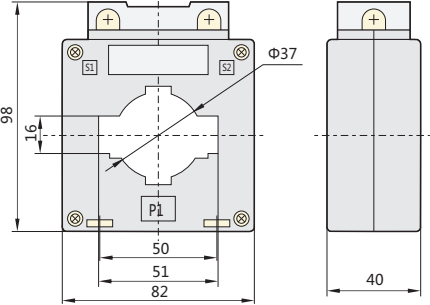

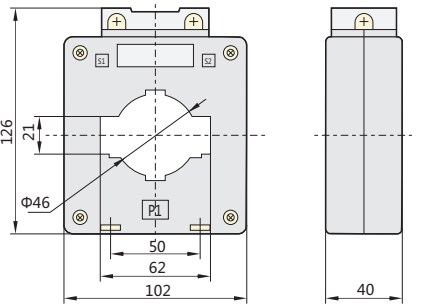



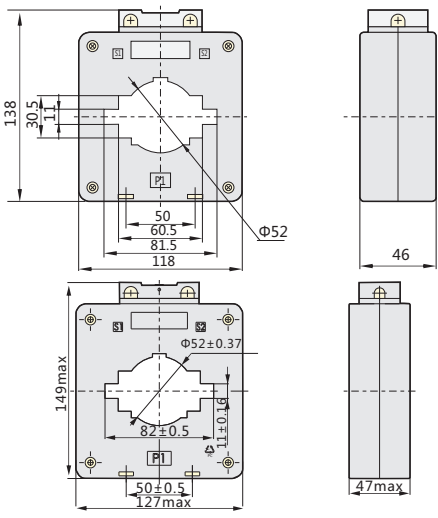

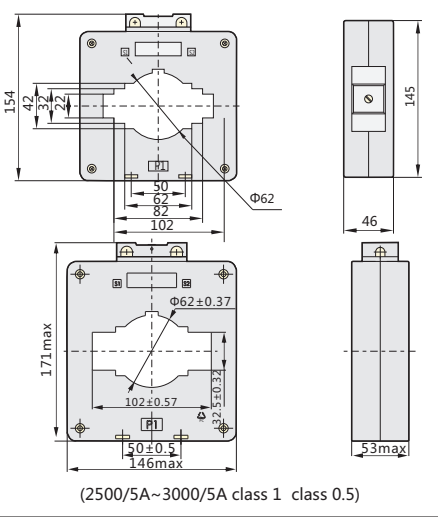

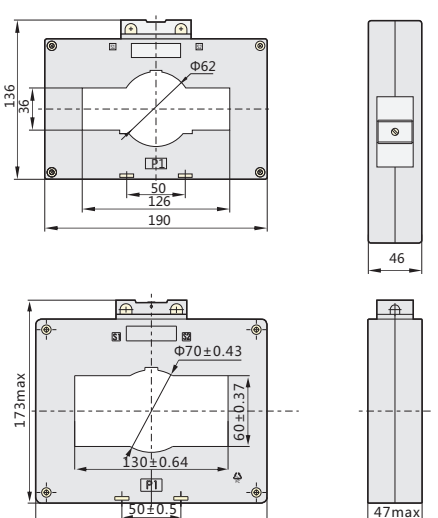
**4. Technical data**

Model	Transformation ratio(I <sub>p</sub> n/I <sub>s</sub> n) (A)	Power(VA)		Accuracy class			Number of turns through iron core	Overall and installing dimensions (mm)	
		1	0.5	0.5S	0.2	0.2S			
 BH-0.66 Solid type	5/5	2.5	2.5						
	10/5	2.5	2.5						
	15/5	2.5	2.5						
	20/5	2.5	2.5						
	25/5	2.5	2.5						
	30/5	2.5	2.5						
	40/5	2.5	2.5						
	50/5	2.5	2.5						
	75/5	2.5	2.5						
	5/1	2.5	2.5						
	10/1	2.5	2.5						
	15/1	2.5	2.5						
	20/1	2.5	2.5						
	25/1	2.5	2.5						
	30/1	2.5	2.5						
40/1	2.5	2.5							
50/1	2.5	2.5							
75/1	2.5	2.5							
 BH-0.66 20I	75/5	2.5					1		
	100/5	2.5					1		
	75/1	2.5	1						1
	100/1	2.5	1						1
 BH-0.66 30I	30/5	2.5	2.5				5		
	50/5	2.5	2.5				3		
	75/5	2.5	2.5				2		
	100/5	2.5					1		
	100/5	5	5				2		
	150/5	2.5	2.5				1		
	200/5	5	5				1		
	250/5	5	5				1		
	300/5	5	5				1		
	400/5	5	5				1		
	30/1	2.5	2.5				5		
	50/1	2.5	2.5				3		
	75/1	2.5	2.5				2		
	100/1	2.5	1				1		
	100/1	5	5				2		
150/1	2.5	2.5				1			
200/1	5	5				1			
250/1	5	5				1			
300/1	5	5				1			

Model	Transformation ratio (I <sub>p</sub> n/I <sub>s</sub> n) (A)	Power(VA)		Accuracy class			Number of turns through iron core	Overall and installing dimensions (mm)
		1	0.5	0.5S	0.2	0.2S		
 <p>BH-0.66 30IB</p>	30/5	5	2.5	2.5	2.5	2.5	5	
	50/5	5	2.5	2.5	2.5	2.5	3	
	75/5	5	2.5	2.5	2.5	2.5	2	
	75/5	5	2.5	2.5	2.5	2.5	1	
	100/5	5	2.5	2.5	2.5	2.5	1	
	100/5	5	5	5	5	5	2	
	150/5	5	2.5	2.5	2.5	2.5	1	
	200/5	5	5	5	5	5	1	
	250/5	5	5	5	5	5	1	
	300/5	5	5	5	5	5	1	
	30/1	2.5	1				5	
	50/1	2.5	1				3	
	75/1	5	2.5				2	
	100/1	5	2.5				2	
	150/1	5	2.5				1	
	200/1	5	5				1	
	250/1	5	5				1	
 <p>BH-0.66 40I</p>	30/5	2.5	2.5	2.5	2.5	2.5	5	
	50/5	2.5	2.5	2.5	2.5	2.5	3	
	75/5	2.5	2.5	2.5	2.5	2.5	2	
	100/5	2.5					1	
	100/5	5	5	5	5	2.5	2	
	150/5	2.5	2.5	2.5	2.5	2.5	1	
	200/5	5	5	5	5	2.5	1	
	250/5	5	5	5	5	2.5	1	
	300/5	5	5	5	5	5	1	
	400/5	5	5	5	5	5	1	
	500/5	10	10	5	5	5	1	
	600/5	10	10	5	5	5	1	
	30/1	5	2.5	5	5	5	5	
	50/1	5	2.5				3	
	75/1	5	2.5				2	
	100/1	5	5				2	
	150/1	5	2.5				1	
200/1	5	5				1		
250/1	5	5				1		
300/1	5	5				1		
400/1	5	5				1		
500/1	10	10				1		



Model	Transformation ratio(I <sub>p</sub> n/I <sub>s</sub> n) (A)	Power(VA) Accuracy class					Number of turns through iron core	Overall and installing dimensions (mm)
		1	0.5	0.5S	0.2	0.2S		
 BH-0.66 50I	150/5	2.5					1	 (750/5A~1500/5A class 1 class 0.5)
	200/5	5	2.5	2.5	2.5	2.5	1	
	250/5	5	5	2.5	2.5	2.5	1	
	300/5	5	5	5	5	5	1	
	400/5	5	5	5	5	5	1	
	500/5	10	10	5	5	5	1	
	600/5	10	10	5	5	5	1	
	750/5	10	10	10	10	5	1	
	800/5	10	10	10	10	5	1	
	1000/5	10	10	10	10	5	1	
	1200/5	20	20	20	20	5	1	
	150/1	2.5					1	
	200/1	5	2.5				1	
 BH-0.66 60I	200/5	5	2.5	2.5	2.5	2.5	1	 (1500/5A~2000/5A class 1 class 0.5)
	250/5	5	5	2.5	2.5	2.5	1	
	300/5	5	5	5	5	2.5	1	
	400/5	5	5	5	5	5	1	
	500/5	10	10	5	5	5	1	
	600/5	10	10	5	5	5	1	
	750/5	10	10	10	10	5	1	
	800/5	10	10	10	10	5	1	
	1000/5	10	10	10	10	5	1	
	1200/5	20	20	20	20	5	1	
	1500/5	20	20	20	20	10	1	
	2000/5	20	20	20	20	10	1	
	200/1	5					1	
250/1	5	5				1		

Model	Transformation ratio (I <sub>pn</sub> /I <sub>sn</sub> ) (A)	Power(VA)		Accuracy class			Number of turns through iron core	Overall and installing dimensions (mm)
		1	0.5	0.5S	0.2	0.2S		
 BH-0.66 80I	300/5	5	5	2.5	2.5	2.5	1	 <p>(2000/5A~2500/5A class 1 class 0.5)</p>
	400/5	5	5	2.5	2.5	2.5	1	
	500/5	10	10	5	5	5	1	
	600/5	10	10	5	5	5	1	
	750/5	10	10	10	10	5	1	
	800/5	10	10	10	10	5	1	
	1000/5	10	10	10	10	5	1	
	1200/5	20	20	20	20	5	1	
	1500/5	20	20	20	20	10	1	
	2000/5	20	20	20	20	10	1	
	2500/5	40	40	40	40	10	1	
	300/1	5	5				1	
	400/1	5	5				1	
	500/1	10	10				1	
	600/1	10	10				1	
750/1	10	10				1		
800/1	10	10				1		
1000/1	10	10				1		
1200/1	20	20				1		
1500/1	20	20				1		
 BH-0.66 100I	600/5	10	10	10	10	5	1	 <p>(2500/5A~3000/5A class 1 class 0.5)</p>
	750/5	10	10	10	10	5	1	
	800/5	10	10	10	10	5	1	
	1000/5	10	10	10	10	5	1	
	1200/5	20	20	20	20	5	1	
	1500/5	20	20	20	20	10	1	
	2000/5	20	20	20	20	10	1	
	2500/5	40	40	40	40	10	1	
	3000/5	40	40	40	40	10	1	
	600/1	10	10				1	
750/1	10	10				1		
800/1	10	10				1		
1000/1	10	10				1		
1200/1	20	20				1		
1500/1	20	20				1		
2000/1	20	20				1		
 BH-0.66 120I	1000/5	10	10	10	10	5	1	 <p>(2500/5A~4000/5A class 1 class 0.5)</p>
	1200/5	20	20	20	20	5	1	
	1500/5	20	20	20	20	10	1	
	2000/5	20	20	20	20	10	1	
	2500/5	40	40	40	40	10	1	
	3000/5	40	40	40	40	10	1	
	4000/5	40	40	40	40	10	1	
	1000/1	10	10				1	
	1200/1	20	20				1	
	1500/1	20	20				1	
2000/1	20	20				1		
2500/1	40	40				1		
3000/1	40	40				1		

