
CB- □ CX □

**MOULDED-CASE
CIRCUIT-BREAKER**

MCCB



CB- □ CX □ Moulded Case Circuit Breaker

1.1 CB-63CX Moulded Case Circuit Breaker

1.2 CB-63CXZ Moulded Case Circuit Breaker

1.3 CB-125CX Moulded Case Circuit Breaker

1.4 CB-125CXZ Moulded Case Circuit Breaker

CB-63CX Moulded Case Circuit Breaker



Product overview

CB-63CX Moulded Case circuit breaker meets IEC 60947-2 standard. Suitable for AC 50Hz/60Hz, rated voltage up to 415V, rated current up to 63A, for overload and short circuit protection.

Main functions: overload protection and short circuit protection.

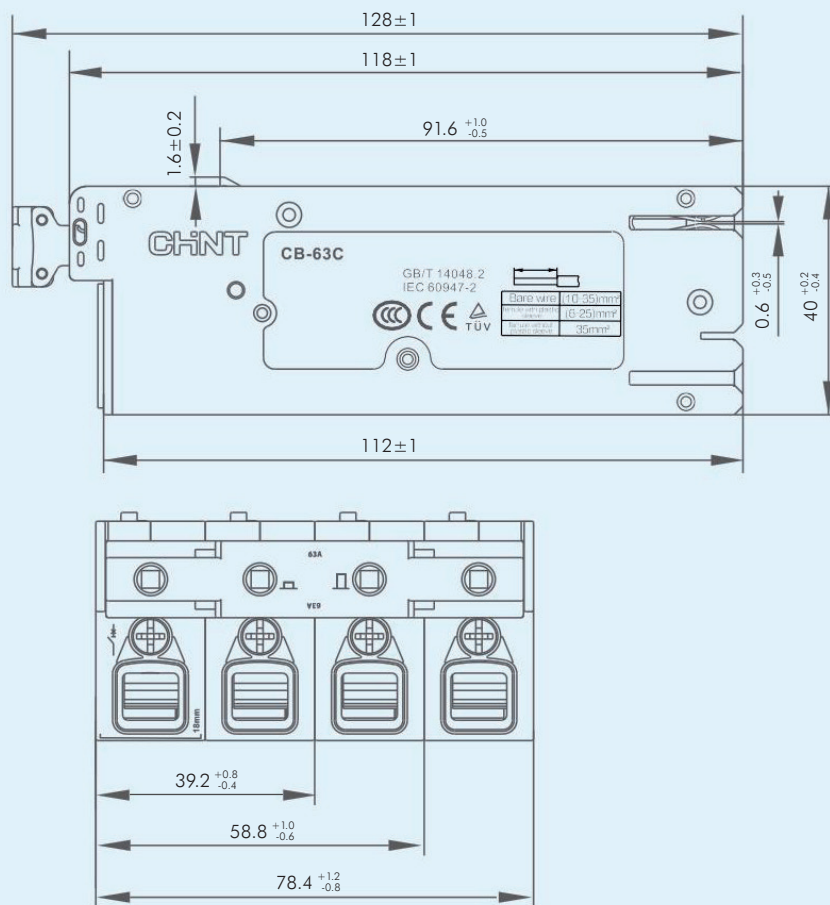
Standard: IEC 60947-2.

Compliance with certification: CE, TUV

Selection

CB	63	CX	2P	63
↓	↓	↓	↓	↓
CB Series	Frame size	Plug-in code	Poles	Rated current(A)

Dimensions



Unit: mm

CB-63CX Moulded Case Circuit Breaker

Technical Parameters

Product type		CB-63CX
Rated current I_n (A)		6、10、16、20、25、32、40、50、63
Rated voltage U_e (V)		2P:AC 230/240 3P、4P:AC 400/415
Poles		2P、3P、4P
Mechanical life (times)		10000
Electrical life (times)		4000
Rated short circuit breaking capacity I_{cn} (A)		6000
Operating short circuit breaking capacity I_{cs} (A)		6000
Rated isolation voltage U_i (V)		500
Rated impulse withstand voltage U_{imp} (kV)		4
Terminal	Minimum connectable conductor crosssectional area (mm ²)	10
	Maximum connectable conductor crosssectional area (mm ²)	35
	Maximum tolerable torque (N·m)	2.0
	Wire insertion depth (mm)	25
Reference temperature (°C)		40
Working environment temperature (°C)		-40 ~ +70
Use altitude (m)		2000
Trip type		Thermomagnetic trip
Instantaneous trip type		8I _n (1+20%)
Incoming mode		Both upper and lower feed lines are acceptable.
Installation mode		plug-in
Class of pollution		3
protection grades	Installed directly	IP20
	Installed in the distribution box	IP40
Assemblable accessory		-

CB-63CXZ Moulded Case Circuit Breaker

Product Overview



CB-63CXZ Moulded case circuit breaker conforms to IEC 60947-2 standard. It is suitable for DC lines with a rated voltage of 80V and a rated current of 63A to protect against overload and short circuit.

Main functions: overload protection, short circuit protection

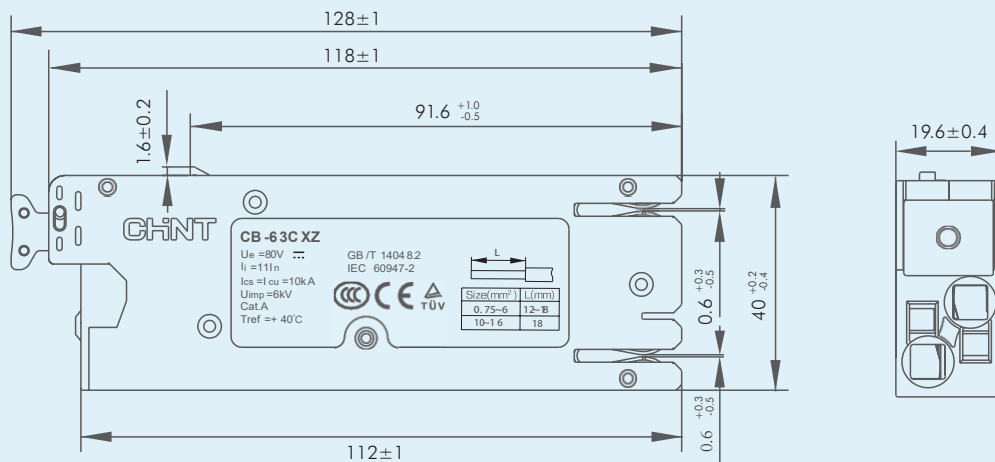
Standard: IEC 60947-2

Conformity certification: CE, TUV

Selection

CB	63	CX	Z	1P	63
↓	↓	↓	↓	↓	↓
CB Series	Frame size	Plug-in code	DC	Poles	Rated current(A)

Dimensions



Unit: mm

CB-63CXZ Moulded Case Circuit Breaker

Technical Parameters

Product type		CB-63CXZ
Rated current I_n (A)		6、10、16、20、25、32、40、50、63
Rated voltage U_e (V)		DC 80
Poles		1P
Mechanical life (times)		10000
Electrical life (times)		4000
Rated short circuit breaking capacity I_{cn} (A)		10000
Operating short circuit breaking capacity I_{cs} (A)		10000
Rated isolation voltage U_i (V)		500
Rated impulse withstand voltage U_{imp} (kV)		6
Terminal	Minimum connectable conductor crosssectional area (mm ²)	0.75
	Maximum connectable conductor crosssectional area (mm ²)	16
	Maximum tolerable torque (N·m)	-
	Wire insertion depth (mm)	25
Reference temperature (°C)		40
Working environment temperature (°C)		-40 ~ +70
Use altitude (m)		2000
Trip type		Thermomagnetic trip
Instantaneous trip type		11I _n (1+20%)
Incoming mode		from bottom
Installation mode		plug-in
Class of pollution		3
protection grades	Installed directly	IP20
	Installed in the distribution box	IP40
Assemblable accessory		-

CB-125CX Moulded Case Circuit Breaker

Product Overview



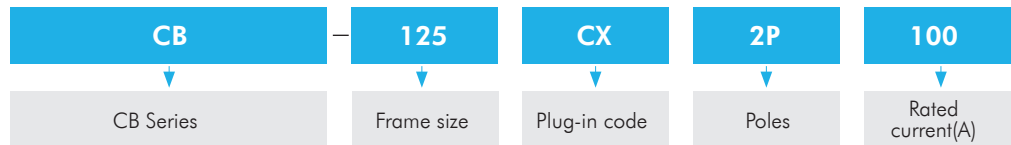
CB-125CX Moulded case circuit breaker conforms to IEC 60947-2 standard. It is applicable to lines with AC 50Hz/60Hz, rated voltage up to 415V, and rated current up to 125A for overload and short circuit protection.

Main functions: overload protection, short circuit protection

Standard: IEC 60947-2

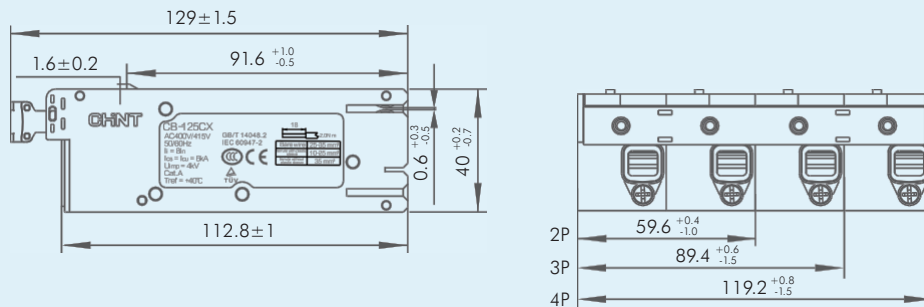
Conformity certification: CE, TUV

Selection

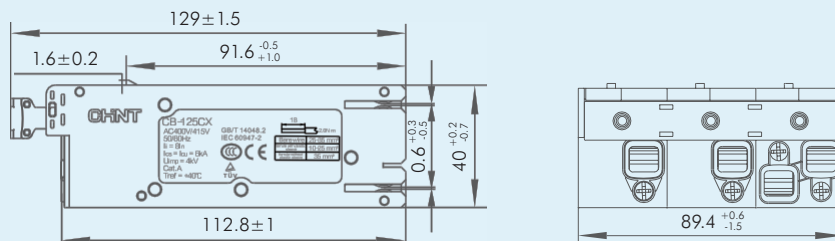


Dimensions

Side view of 2P/3P/4P



Side view of 3PN



Unit: mm

CB-125CX Moulded Case Circuit Breaker

Technical Parameters

Product type		CB-125CX
Rated current I_n (A)		80、100、125
Rated voltage U_e (V)		2P: AC 230/240 3P、3PN、4P: AC 400/415
Poles		2P、3P、3PN、4P
Mechanical life (times)		6000
Electrical life (times)		4000
Rated short circuit breaking capacity I_{cn} (A)		6000
Operating short circuit breaking capacity I_{cs} (A)		6000
Rated isolation voltage U_i (V)		500
Rated impulse withstand voltage U_{imp} (kV)		4
Terminal	Minimum connectable conductor crosssectional area (mm ²)	10
	Maximum connectable conductor crosssectional area (mm ²)	35
	Maximum tolerable torque (N·m)	2.0
	Wire insertion depth (mm)	25
Reference temperature (°C)		40
Working environment temperature (°C)		-40 ~ +70
Use altitude (m)		2000
Trip type		Thermomagnetic trip
Instantaneous trip type		8li(1+20%)
Incoming mode		Both upper and lower incoming lines are acceptable
Installation mode		plug-in
Class of pollution		3
protection grades	Installed directly	IP20
	Installed in the distribution box	IP40
Assemblable accessory		-

CB-125CXZ Moulded Case Circuit Breaker

Product Overview



CB-125CXZ Moulded case circuit breaker conforms to IEC 60947-2 standard. It is suitable for DC lines with rated voltage of 80V and rated current of 125A, and plays the role of overload and short circuit protection.

Main functions: overload protection and short circuit protection.

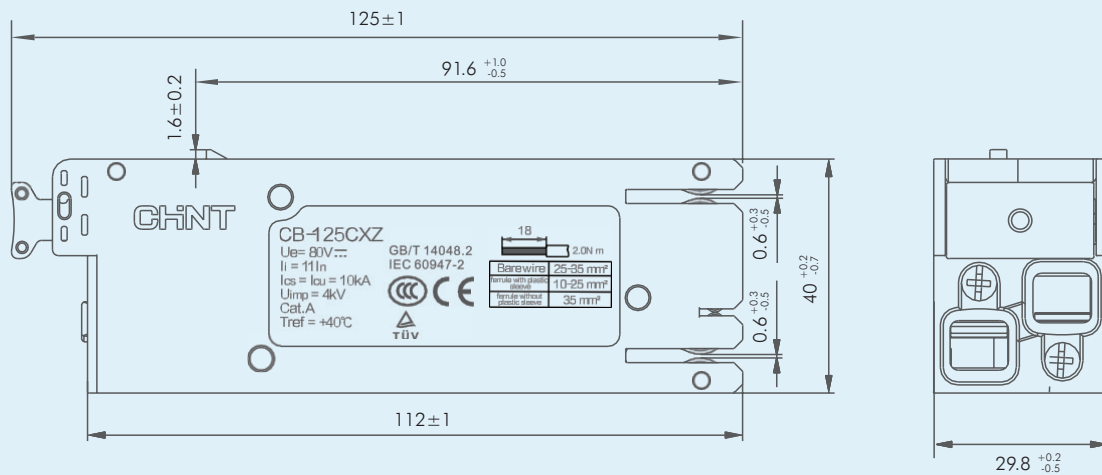
Standard: IEC 60947-2

Conformity certification: CE, TUV

Selection

CB	125	CX	Z	1P	100
↓	↓	↓	↓	↓	↓
CB Series	Frame size	Plug-in code	DC	Poles	Rated current(A)

Dimensions



Unit: mm

CB-125CXZ Moulded Case Circuit Breaker

Technical Parameters

Product type		CB-125CXZ
Rated current I_n (A)		80、100、125
Rated voltage U_e (V)		DC80
Poles		1P
Mechanical life (times)		10000
Electrical life (times)		4000
Rated short circuit breaking capacity I_{cn} (A)		10000
Operating short circuit breaking capacity I_{cs} (A)		10000
Rated isolation voltage U_i (V)		500
Rated impulse withstand voltage U_{imp} (kV)		4
Terminal	Minimum connectable conductor crosssectional area (mm ²)	10
	Maximum connectable conductor crosssectional area (mm ²)	35
	Maximum tolerable torque (N·m)	2.0
	Wire insertion depth (mm)	25
Reference temperature (°C)		40
Working environment temperature (°C)		-40 ~ +70
Use altitude (m)		2000
Trip type		Thermomagnetic trip
Instantaneous trip type		11I _n (1+20%)
Incoming mode		From bottom
Installation mode		plug-in
Class of pollution		3
protection grades	Installed directly	IP20
	Installed in the distribution box	IP40
Assemblable accessory		-