



Industrial Plugs & Sockets

1. Overview

NTC1 industrial plugs, sockets and couplers with a rated current of 16A~125A are suitable for power distribution of AC 50Hz/60Hz, 415V (max.) systems, and can be widely used in various fields such as mechanical equipment, construction engineering, data centers, energy generation, mobile communication.

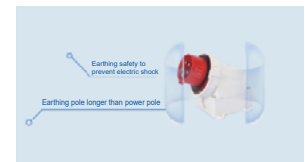
2. Product Features

- Excellent dust and water resistance
The product housings are rated up to IP67 and protected from total dust and water ingress, ensuring reliable operation in various severe conditions;
- Anti collision design: The product's anti collision level can reach IK07, which can prevent 2J energy impact;



- Color-coded identification of the operating voltage
The operating voltage can be identified by the appearance color of the product, which complies with the industry standards (blue:250V, red: 415V);

- Electrical-shock protection
In order to ensure the safety during use of electricity, the earthing pole of the socket is designed longer than the power pole, so that the earthing pole is always connected first when the power supply is coupled, and disconnected last when the power supply is decoupled;



Electrical Auxiliary Products

- Secure connection and reliable wiring
The unique design of the retainer makes the connection between the plug and the socket or coupler more secure;
- Equipped with a cable clamping device to prevent the cable from unintended disconnection;
- Double-bolt terminal block for more reliable connection;
- Compliance with the highest flame resistance standards
The flame resistance of the conductor contact insulation meets UL94V-0 to ensure the safety during use of electricity;



3. Main Parameters

- 3.1 Rated current: 16A, 32A, 63A, 125A
- 3.2 Rated voltage: AC250V, AC415V
- 3.3 Poles (P: live conductor; E: earthing conductor; N: neutral conductor): 2P+E, 3P+E, 3P+N+E
- 3.4 Rated insulation voltage (V): 690V
- 3.5 Protection: IP44, IP67
- 3.6 Ambient temperature range: -25~+70 °C
- 3.7 Wire size: 16A: (1-4)mm²; 32A: (2.5-10)mm²; 63A: (6-25)mm²; 125A: (25-35)mm²

4. Model Description

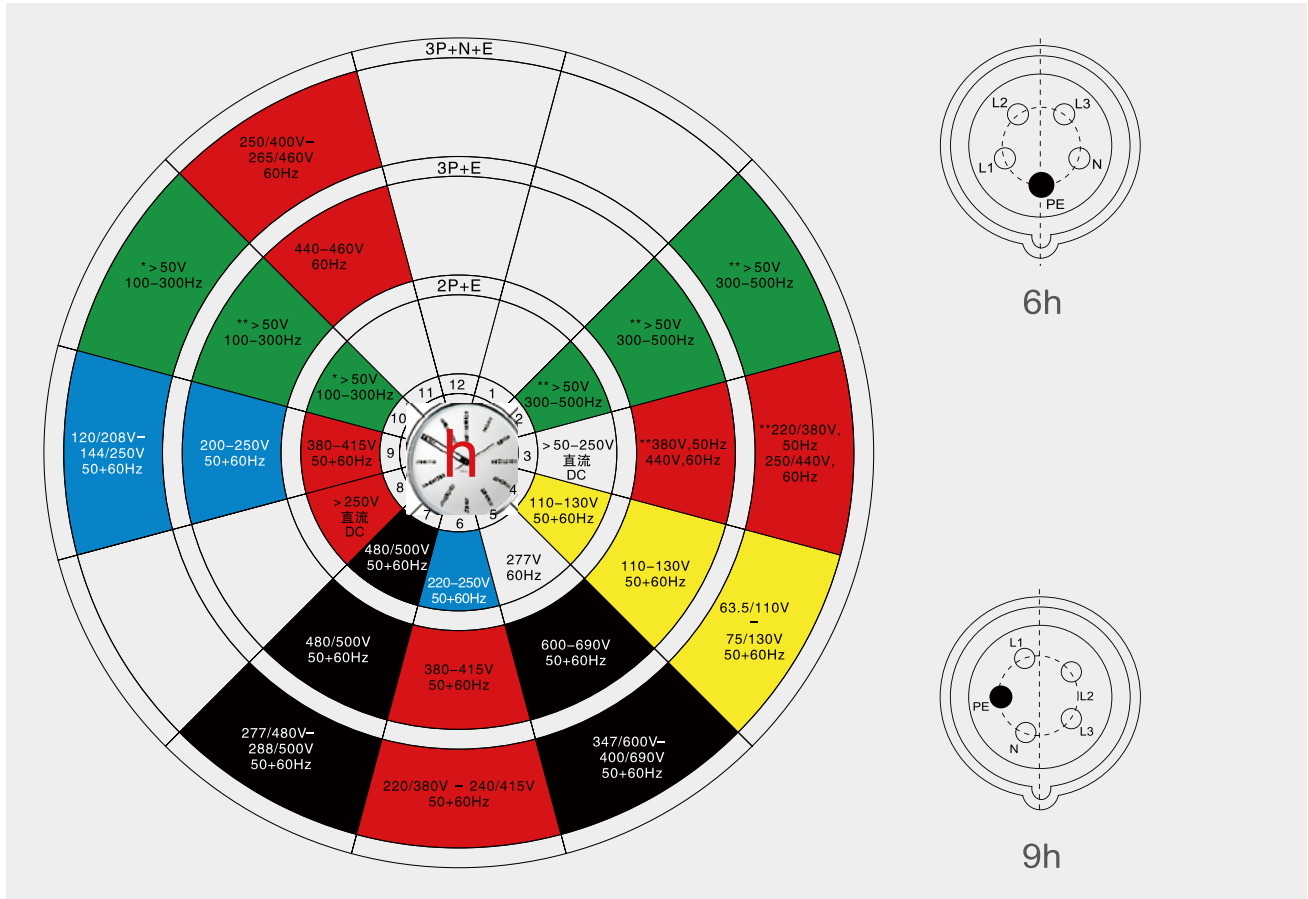
Manufacture code	Industrial plug/socket	Desian code	Number of poles	Current rating	Product type	Position of earthing pole	Voltage rating	Protection
N	TC	1	3: 2P+E 4: 3P+E 5: 3P+N+E	16A 32A 63A 125A	P : Movable plug AP : Panel-mounted straight plug C : Connector MXS : Surface-mounted oblique socket AS : Panel-mounted straigh socket AXS : Panel-mounted obliquesocket KCS : Mechanical interlock switched socket	6h	AC250V AC415V	Null : IP44 W : IP67

4.1 Model example

NNTC1-316P6H/250VW stands for a movable industrial plug with 3 poles , rated current of 16A , rated voltage of 250V and protection level of IP67.

Control Apparatus

4.2 Color coding and position of earthing terminal



We have defined different product models in the corresponding sectors of a clock, wherein the sectors marked in black refer to our standard models, and others are special models that need to be customized. The left circle table shows an overview of the clock, number of poles and voltage respectively to help you easily identify the characteristics of each product. The right two figures show a socket or connector with the PE conductor in the 6h and 9h positions respectively. This product clock diagram is based on the hole of a socket or connector to indicate the direction of the clock.

Product Types and Dimensions

5. Overall and mounting dimensions

P: Movable plug



16A/IP44

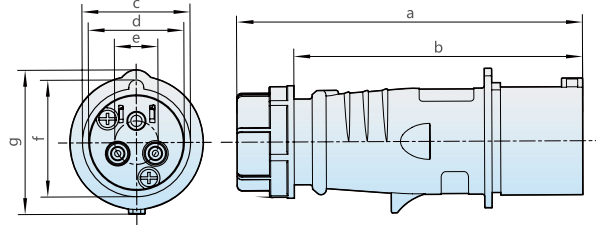


Figure 1



16A, 125A/IP67

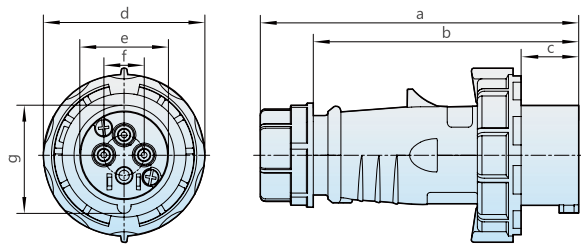


Figure 2

Ampere (A)/Protection		16A/IP44			16A/IP67			125A/IP67		
Poles (P)		3	4	5	3	4	5	3	4	5
Dimensions (mm)	a	137	142	144	140	142	144	286	286	286
	b	110	119	121	116	119	121	219	219	219
	c	43.5	49.5	56	24.7	26	27	57	57	57
	d	38.5	43.8	50	70.2	78	87	133	133	133
	e	17.5	21.5	26.5	38.5	43.8	50	75.1	75.1	75.1
	f	47	52	60	17.5	21.5	26.5	42.5	42.5	42.5
	g	58	66.7	75	47	52	60	87.2	87.2	87.2



32A/IP44

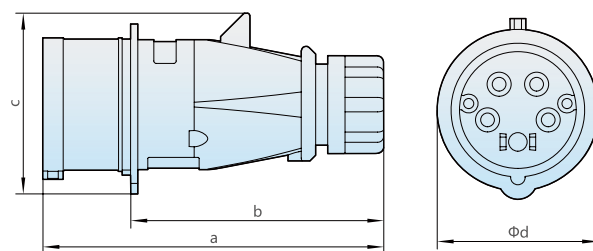


Figure 3

Control Apparatus



63A/IP44

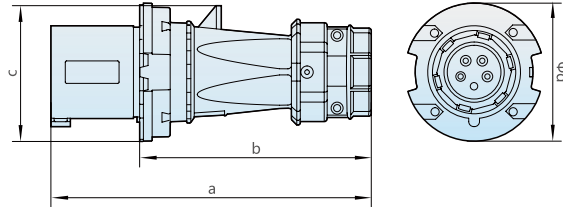


Figure 4



32A/IP67

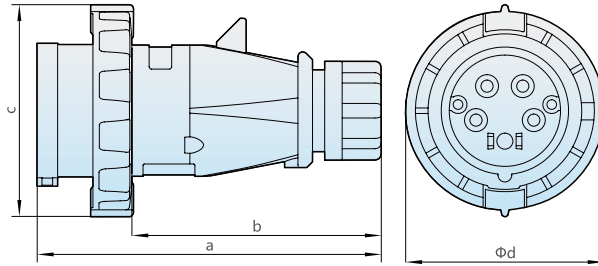
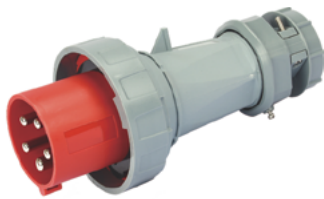


Figure 5



63A/IP67

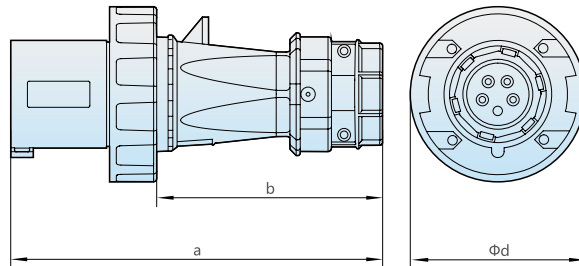


Figure 6

Ampere (A)/Protection	32A/IP44			63A/IP44			32A/IP67			63A/IP67			
Poles (P)	3	4	5	3	4	5	3	4	5	3	4	5	
Dimensions(mm)	a	175	175	186	240	240	240	175	175	186	240	240	240
	b	132.5	132.5	137	174	174	174	132.5	132.5	137	162	162	162
	c	81	81	87	100.7	100.7	100.7	102	102	109	/	/	/
	Φd	70	70	77	102.5	102.5	102.5	94	94	101	112	112	112

Electrical Auxiliary Products

C: Connector



16A/IP44

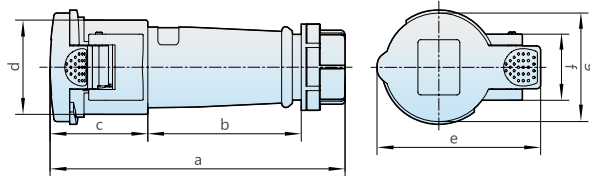


Figure 7



16- 125A/IP67

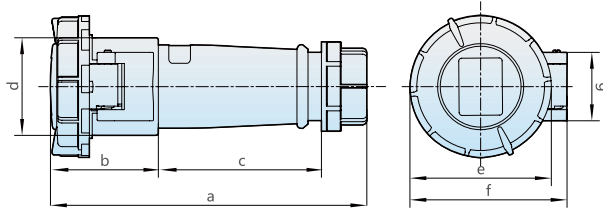


Figure 8

Ampere (A)/Protection		16A/IP44			16A/IP67			125A/IP67		
Poles (P)		3	4	5	3	4	5	3	4	5
Dimensions (mm)	a	155	156.5	161.7	160	164	167	315	315	315
	b	80.6	82.3	88	54.7	55.5	56.3	116	116	116
	c	51.3	51.8	52.1	90	101	103	130	130	130
	d	49.5	55.7	63	49.5	55.7	63	89.5	89.5	89.5
	e	86	90	97	71.7	80.6	89	121	121	121
	f	34.7	37	37	79.7	85.6	93	125	125	125
	g	57	61.2	69	34.7	37	37	34.5	34.5	34.5



32A/IP44

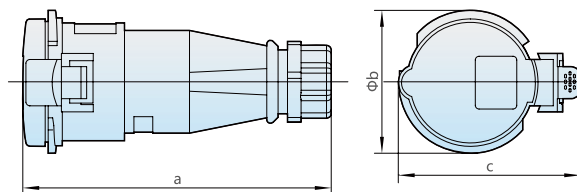


Figure 9

Control Apparatus



63A/IP44

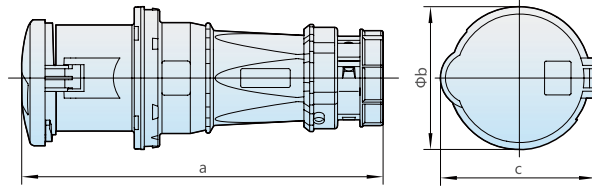


Figure 10



32A/IP67

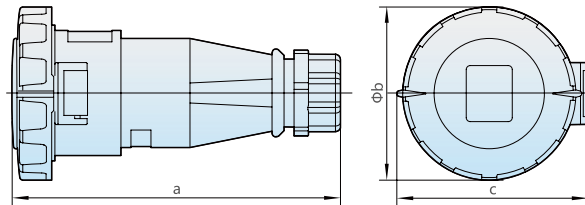


Figure 11



63A/IP67

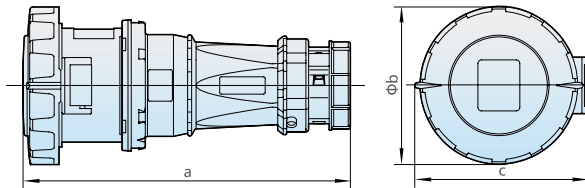


Figure 12

Ampere (A)/Protection	32A/IP44			63A/IP44			32A/IP67			63A/IP67			
	3	4	5	3	4	5	3	4	5	3	4	5	
Poles (P)													
Dimensions(mm)	a	205	205	205	262	262	262	207	207	208	264	264	264
	Φb	82.5	82.5	89	95	95	95	94	94	101	109.5	109.5	109.5
	c	109.5	109.5	116	109	109	109	102	102	108	114	114	114

Electrical Auxiliary Products

MXS: Surface-mounted oblique socket



16A/IP44

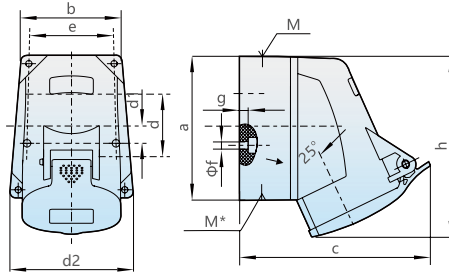


Figure 13



16/IP67

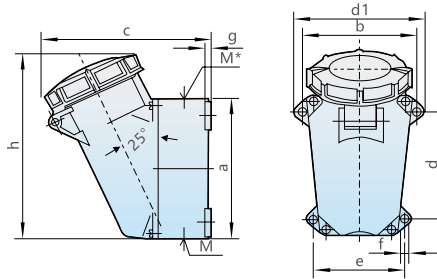


Figure 14

Ampere (A)/Protection		16A/IP44			16A/IP67		
Poles (P)		3	4	5	3	4	5
Dimensions (mm)	a	87	100	100	95	95	95
	b	62	67	67	89.5	89.5	89.5
	c	110	125	131	117.5	126.5	133
	d	40	-	-	65	65	65
	d1	-	11	11	101	101	101
	e	50	59	59	77.5	77.5	77.5
	f	4.5	5	5	5.5	5.5	5.5
	g	4	4	4	5.2	5.2	5.2
	h	115	118	128	132.5	134	135.5
	m	20	20	20	25	25	25
	d2	73	82	82	-	-	-



32A/IP44

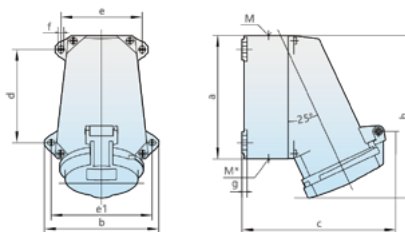


Figure 15

Control Apparatus



63A/IP44

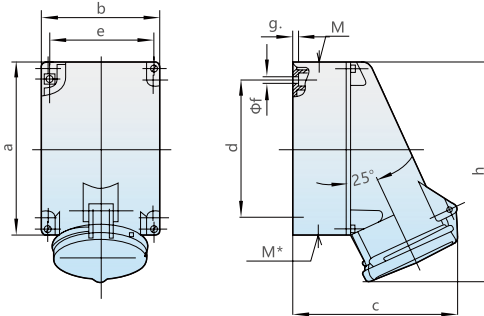


Figure 16



32A/IP67

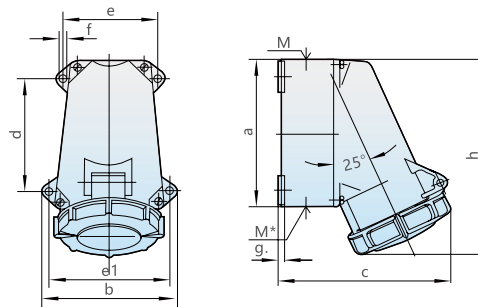


Figure 17



63A/IP67

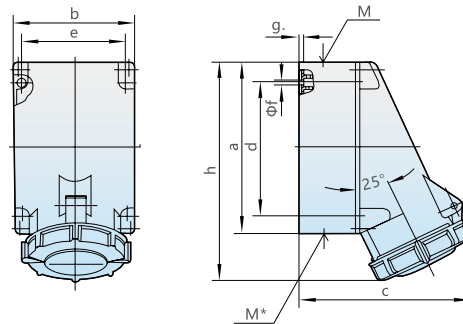


Figure 18

Ampere (A)/Protection	32A/IP44			63A/IP44			32A/IP67			63A/IP67			
Poles (P)	3	4	5	3	4	5	3	4	5	3	4	5	
Dimensions (mm)	a	122	122	122	170	170	170	122	122	122	170	170	170
	b	112	112	112	118	118	118	112	112	112	118	118	118
	c	153	153	156	171	171	171	147	147	152	172	172	172
	d	90.2	90.2	90.2	135	135	135	90.2	90.2	90.2	135	135	135
	e	79	79	79	103	103	103	79	79	79	103	103	103
	e1	98.5	98.5	98.5	/	/	/	98.5	98.5	98.5	/	/	/
	f	5.5	5.5	5.5	6	6	6	5.5	5.5	5.5	6	6	6
	g	5	5	5	6	6	6	5	5	5	6	6	6
	h	161	161	163	216	216	216	162	162	166	216	216	216
	m	32	32	32	40	40	40	32	32	32	40	40	40

Electrical Auxiliary Products

AS: Panel-mounted straight socket



16A/IP44

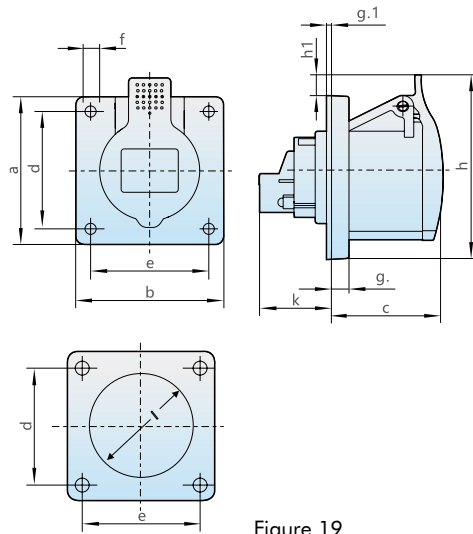


Figure 19



16, 125A/IP67

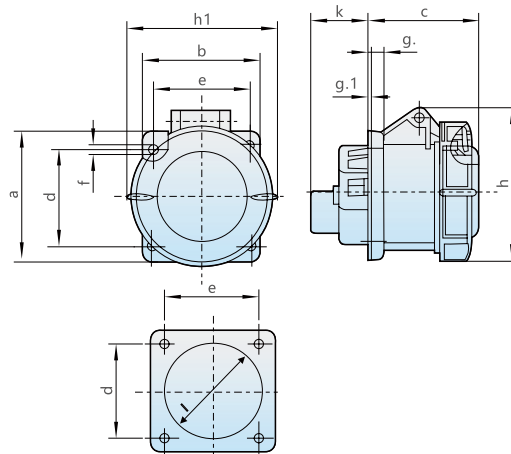


Figure 20

Ampere (A)/Protection		16A/IP44			16A/IP67			125A/IP67		
Poles (P)		3	4	5	3	4	5	3	4	5
Dimensions (mm)	a	75	75	75	75	75	75	130	130	130
	b	75	75	75	75	75	75	130	130	130
	c	51	51.5	52	55	56	59	116	116	116
	d	60	60	60	60	60	60	104	104	104
	e	60	60	60	60	60	60	104	104	104
	f	5.5	5.5	5.5	5.5	5.5	5.5	6.5	6.5	6.5
	g	8	8	8	10	10	10	19.5	19.5	19.5
	g.1	2	2	2	2	2	2	2	2	2
	h	84.6	90	94	83	88	93	128	128	128
	h.1	9.6	15	19.2	78	85	93	135	135	135
	k	33	33	34	30	31	32	43	43	43
	l	44	52	54.5	45	54	55	105	105	105

Control Apparatus



32A/IP44

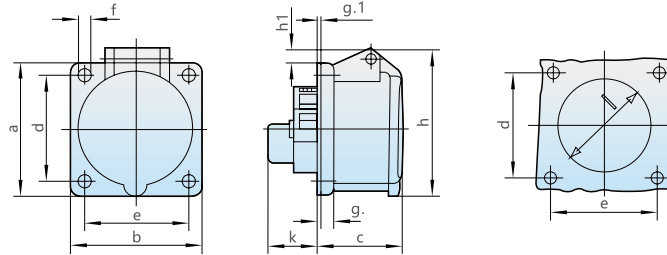


Figure 21



63A/IP44

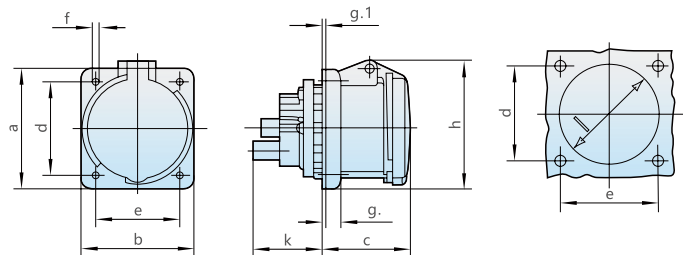


Figure 22



32A, 63A/IP67

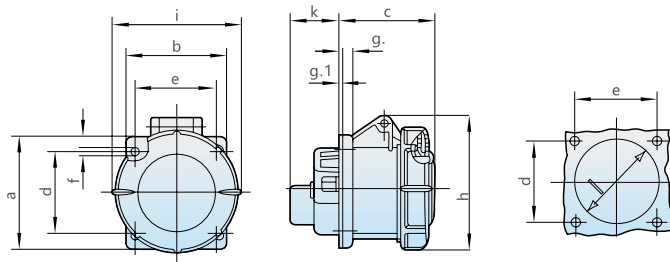


Figure 23

Ampere (A)/Protection	32A/IP44			63A/IP44			32A/IP67			63A/IP67			
Poles (P)	3	4	5	3	4	5	3	4	5	3	4	5	
Dimensions (mm)	a	85	85	85	107	107	107	85	85	85	107	107	107
	b	75	75	75	100	100	100	75	75	75	100	100	100
	c	64	64	64	80	80	80	70	70	72	84	84	84
	d	60	60	60	85	85	85	60	60	60	85	85	85
	e	60	60	60	77	77	77	60	60	60	77	77	77
	f	5.5	5.5	5.5	6.5	6.5	6.5	5.5	5.5	5.5	6.5	6.5	6.5
	g	8	8	8	12	12	12	8	8	8	12	12	12
	g1	2	2	2	2	2	2	2	2	2	2	2	2
	h	105	105	112	113	113	113	101	101	108	113	113	113
	i	/	/	/	/	/	/	98	98	105	118	118	118
	k	38	38	38	55	55	55	38	38	38	55	55	55
	l	62	62	65	94	94	94	62	62	65	94	94	94



Electrical Auxiliary Products

AXS: Panel-mounted oblique socket



16A/IP44

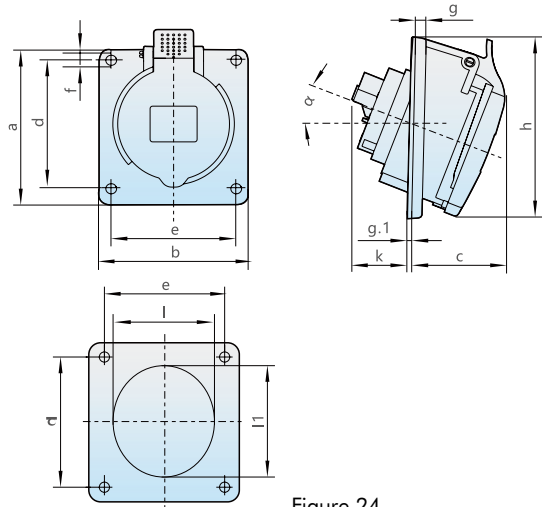


Figure 24



16/125A/IP67

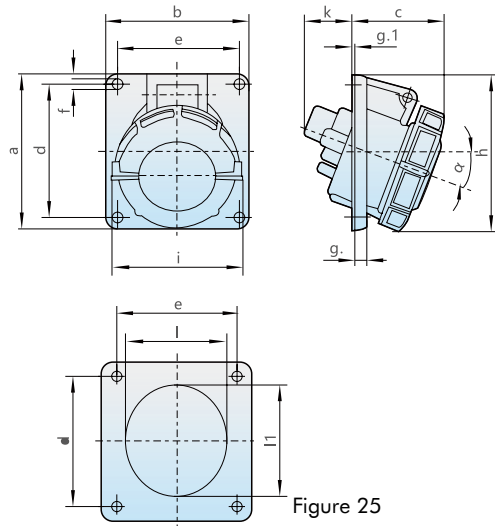


Figure 25

Ampere (A)/Protection		16A/IP44			16A/IP67			125A/IP67		
Poles (P)		3	4	5	3	4	5	3	4	5
Dimensions (mm)	a	73.5	100	100	73.5	100	100	114	114	114
	b	64	92	92	64	92	92	110	110	110
	c	52	58	58	52	59	62	75	75	75
	d	60	85	85	60	85	85	90	90	90
	e	52	77	77	52	77	77	90	90	90
	f	5.3	5.3	5.3	5.3	5.3	5.3	6.2	6.2	6.2
	g	7	8	8	7	8	8	13	13	13
	g1	2	2	2	2	2	2	2	2	2
	h	79	105	108	84	103	105	125	125	125
	i	-	-	-	78	85	96	135	135	135
	k	46	32	33	46	32	33	98	98	98
	l	55	70	70	55	70	70	100	100	100
	l1	65	80	80	65	80	80	107	107	107
	α	20°	20°	20°	20°	20°	20°	15°	15°	15°

Control Apparatus



32A/IP44

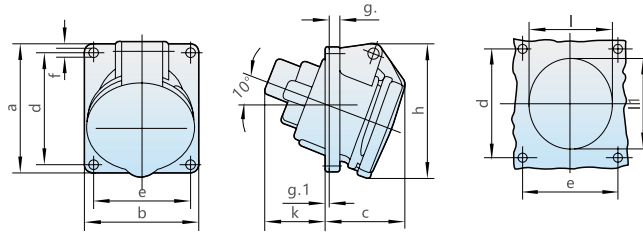


Figure 26



63A/IP44

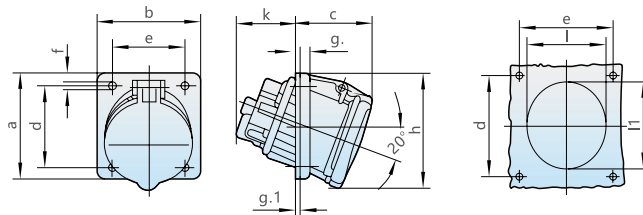


Figure 27



32A, 63A/IP67

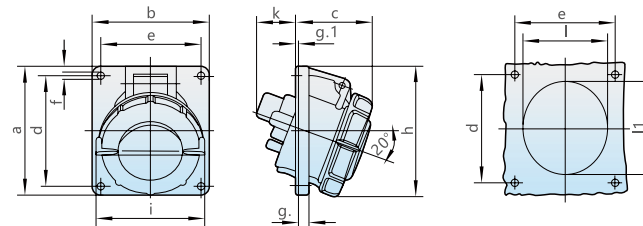


Figure 28

Ampere (A)/Protection	32A/IP44			63A/IP44			32A/IP67			63A/IP67			
Poles (P)	3	4	5	3	4	5	3	4	5	3	4	5	
Dimensions (mm)	a	100	100	100	110	110	110	100	100	100	110	110	110
	b	92	92	92	106	106	106	92	92	92	106	106	106
	c	62	62	62	85	85	85	64	64	66	85	85	85
	d	85	85	85	85	85	85	85	85	85	85	85	85
	e	77	77	77	77	77	77	77	77	77	77	77	77
	f	5.3	5.3	5.3	6.5	6.5	6.5	5.3	5.3	5.3	6.5	6.5	6.5
	g	8	8	8	8	8	8	8	8	8	8	8	8
	g1	2	2	2	2	2	2	2	2	2	2	2	2
	h	107	107	112	125	125	125	109	109	113	125	125	125
	i	/	/	/	/	/	/	103	103	110	117	117	117
	k	54	54	56	69	69	69	54	54	56	69	69	69
	l	70	70	73	90	90	90	70	70	73	90	90	90
	l1	82	82	86	103	103	103	82	82	86	103	103	103

Electrical Auxiliary Products

KCS: Mechanical interlock switched socket



16A/IP44

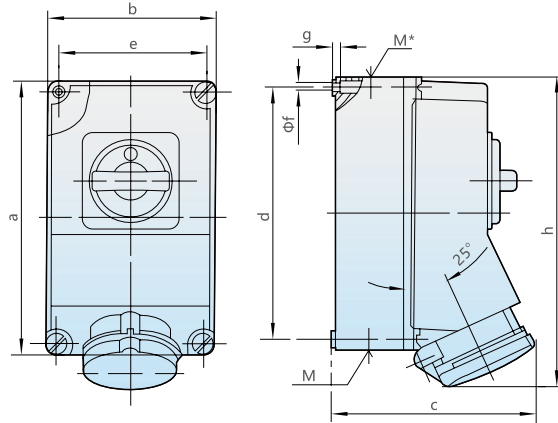


Figure 29



16A/IP67

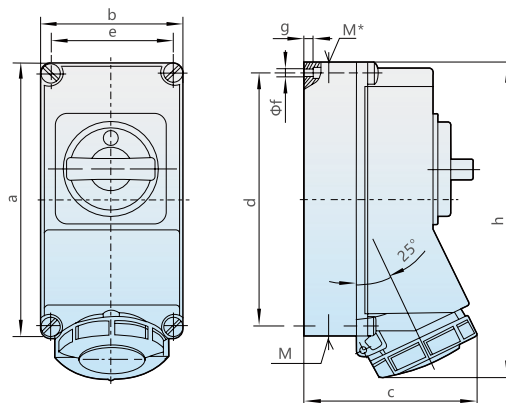


Figure 30



32A/IP44

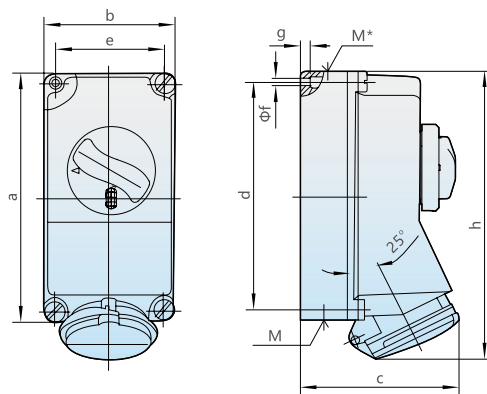


Figure 31

Control Apparatus



16A/IP67

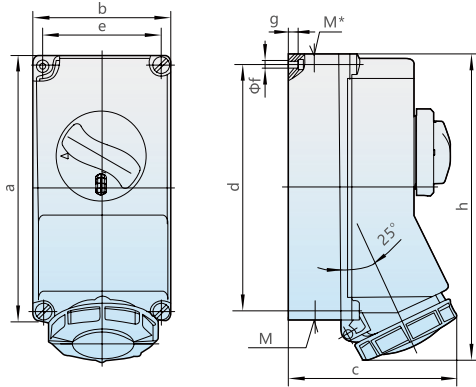


Figure 32

Ampere (A)/Protection	16A/IP44			16A/IP67			32A/IP44			32A/IP67			
Poles (P)	3	4	5	3	4	5	3	4	5	3	4	5	
Dimensions (mm)	a	225	225	225	225	225	225	225	225	225	225	225	
	b	118	118	118	118	118	118	118	118	118	118	118	
	c	139	141	143	144	146	147	146	146	146	152	152	153
	d	208	208	208	208	208	208	208	208	208	208	208	208
	e	101	101	101	101	101	101	101	101	101	101	101	101
	f	6.3	6.3	6.3	6.3	6.3	6.3	6.3	6.3	6.3	6.3	6.3	6.3
	g	8	8	8	8	8	8	8	8	8	8	8	8
	h	250	252	254	252	255	259	264	264	264	268	268	274
	m	2x25	2x25	2x25	2x25	2x25	2x25	2x25	2x25	2x25	2x25	2x25	2x25
	m*	25/32	25/32	25/32	25/32	25/32	25/32	25/32	25/32	25/32	25/32	25/32	25/32



16A/IP44

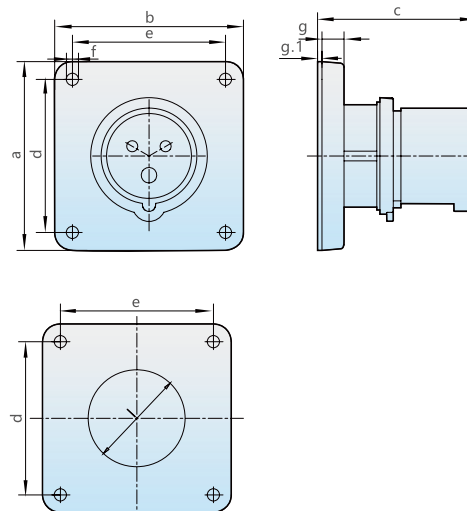


Figure 33



Electrical Auxiliary Products



125A/IP67

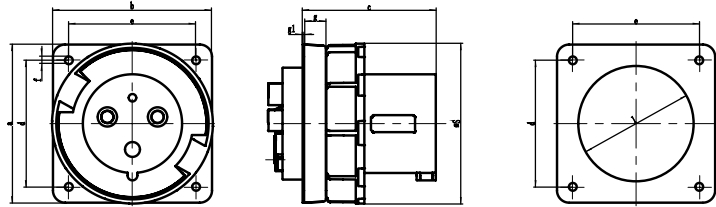
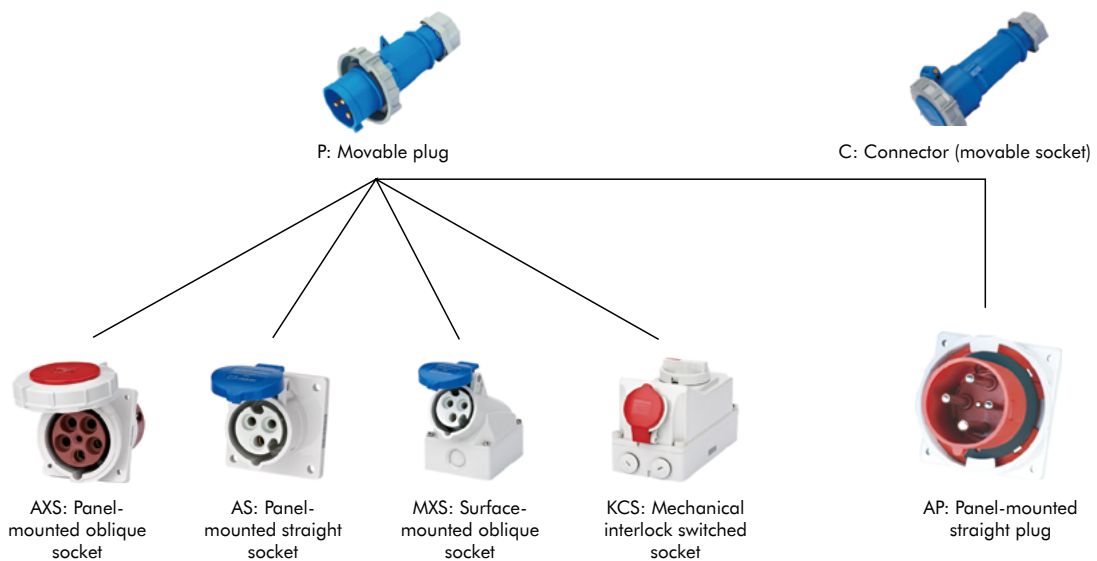


Figure 34

Ampere (A)/Protection		16A/IP44			125A/IP67		
Poles (P)		3	4	5	3	4	5
Dimensions (mm)	a	85.7	85.7	85.7	130	130	130
	b	85.7	85.7	85.7	130	130	130
	c	72	72	72	112	112	112
	d	69.5	69.5	69.5	104	104	104
	e	69.5	69.5	69.5	104	104	104
	f	5.5	5.5	5.5	6.5	6.5	6.5
	g	10	10	10	18	18	18
	g1	2	2	2	2	2	2
	l	32	36	42	95	95	95
	s	-	-	-	132	132	132

6. Matching of Industrial Plugs & Sockets



Control Apparatus

7. Industrial Plug/Socket Models

SN	Industrial Plug/Socket Description	Industrial Plug/Socket Model
1	Movable plug	NTC1-316P6h/250V
		NTC1-416P6h/415V
		NTC1-516P6h/415V
		NTC1-332P6h/250V
		NTC1-432P6h/415V
		NTC1-532P6h/415V
		NTC1-363P6h/250V
		NTC1-463P6h/415V
		NTC1-563P6h/415V
		NTC1-316P6h/250VW
		NTC1-416P6h/415VW
		NTC1-516P6h/415VW
		NTC1-332P6h/250VW
		NTC1-432P6h/415VW
		NTC1-532P6h/415VW
		NTC1-363P6h/250VW
		NTC1-463P6h/415VW
		NTC1-563P6h/415VW
		NTC1-3125P6h/250VW
		NTC1-4125P6h/415VW
NTC1-5125P6h/415VW		
2	Connector	NTC1-316C6h/250V
		NTC1-416C6h/415V
		NTC1-516C6h/415V
		NTC1-332C6h/250V
		NTC1-432C6h/415V
		NTC1-532C6h/415V
		NTC1-363C6h/250V
		NTC1-463C6h/415V
		NTC1-563C6h/415V
		NTC1-316C6h/250VW
		NTC1-416C6h/415VW
		NTC1-516C6h/415VW
		NTC1-332C6h/250VW
		NTC1-432C6h/415VW
		NTC1-532C6h/415VW
		NTC1-363C6h/250VW
		NTC1-463C6h/415VW
		NTC1-563C6h/415VW
		NTC1-3125C6h/250VW
		NTC1-4125C6h/415VW
NTC1-5125C6h/415VW		
3	Surface-mounted oblique socket	NTC1-316MXS6h/250V
		NTC1-416MXS6h/415V
		NTC1-516MXS6h/415V
		NTC1-332MXS6h/250V
		NTC1-432MXS6h/415V
		NTC1-532MXS6h/415V
		NTC1-363MXS6h/250V
		NTC1-463MXS6h/415V
		NTC1-563MXS6h/415V
		NTC1-316MXS6h/250VW
		NTC1-416MXS6h/415VW
		NTC1-516MXS6h/415VW
		NTC1-332MXS6h/250VW
		NTC1-432MXS6h/415VW
		NTC1-532MXS6h/415VW
		NTC1-363MXS6h/250VW
		NTC1-463MXS6h/415VW
		NTC1-563MXS6h/415VW

Electrical Auxiliary Products

SN	Industrial Plug/Socket Description	Industrial Plug/Socket Model
4	Panel-mounted straight socket	NTC1-316AS6h/250V
		NTC1-416AS6h/415V
		NTC1-516AS6h/415V
		NTC1-332AS6h/250V
		NTC1-432AS6h/415V
		NTC1-532AS6h/415V
		NTC1-363AS6h/250V
		NTC1-463AS6h/415V
		NTC1-563AS6h/415V
		NTC1-316AS6h/250VW
		NTC1-416AS6h/415VW
		NTC1-516AS6h/415VW
		NTC1-332AS6h/250VW
		NTC1-432AS6h/415VW
		NTC1-532AS6h/415VW
		NTC1-363AS6h/250VW
		NTC1-463AS6h/415VW
NTC1-563AS6h/415VW		
NTC1-3125AS6h/250VW		
NTC1-4125AS6h/415VW		
NTC1-5125AS6h/415VW		
5	Panel-mounted oblique socket	NTC1-316AXS6h/250V
		NTC1-416AXS6h/415V
		NTC1-516AXS6h/415V
		NTC1-516AXS6h/415V
		NTC1-432AXS6h/415V
		NTC1-532AXS6h/415V
		NTC1-363AXS6h/250V
		NTC1-463AXS6h/415V
		NTC1-563AXS6h/415V
		NTC1-316AXS6h/250VW
		NTC1-416AXS6h/415VW
		NTC1-516AXS6h/415VW
		NTC1-332AXS6h/250VW
		NTC1-432AXS6h/415VW
		NTC1-532AXS6h/415VW
		NTC1-363AXS6h/250VW
		NTC1-463AXS6h/415VW
NTC1-563AXS6h/415VW		
NTC1-3125AXS6h/250VW		
NTC1-4125AXS6h/415VW		
NTC1-5125AXS6h/415VW		
6	Mechanical interlock switched socket	NTC1-316KCS6h/250VW
		NTC1-416KCS6h/415VW
		NTC1-516KCS6h/415VW
		NTC1-332KCS6h/250VW
		NTC1-432KCS6h/415VW
		NTC1-532KCS6h/415VW
		NTC1-316KCS6h/250V
		NTC1-416KCS6h/415V
		NTC1-516KCS6h/415V
		NTC1-332KCS6h/250V
		NTC1-432KCS6h/415V
NTC1-532KCS6h/415V		
7	Panel-mounted straight plug	NTC1-316AP6h/250V
		NTC1-416AP6h/415V
		NTC1-516AP6h/415V
		NTC1-316AP6h/250VW
		NTC1-516AP6h/415VW



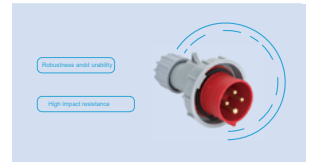
NXTC Industrial Plugs & Sockets and Couplers

1.Scope of Application

NXTC industrial plugs, sockets and couplers are designed with a rated current of 16A~125A and suitable for power distribution of AC 50Hz/60Hz, 415V (max.) systems .
 Certified according to: GBT11918.1-2014, GBT11918.2-2014.

2. Product Features

- Excellent dust and water resistance
 The product housings are rated up to IP67 and protected from total dust and water ingress, ensuring reliable operation in various severe conditions, and featuring excellent dust and water resistance
- Anti-impact design
 The products are rated at IK07 impact resistance, and therefore able to withstand 2J impact



- Color-coded identification of the operating voltage
 The operating voltage can be identified by the appearance color of the product, which complies with the industry standards;

- Electrical-shock protection
 In order to ensure the safety during use of electricity, the earthing pole of the socket is designed longer than the power pole, so that the earthing pole is always connected first when the power supply is coupled, and disconnected last when the power supply is decoupled;



3. Main Parameters

- 3.1 Rated current: 16A, 32A, 63A, 125A
- 3.2 Rated voltage: AC250V, AC415V
- 3.3 Poles (P: live conductor; E: earthing conductor; N: neutral conductor): 2P+E, 3P+E, 3P+N+E
- 3.4 Rated insulation voltage (V): AC800V
- 3.5 Protection: IP44, IP67
- 3.6 Ambient temperature range: -25~+70C
- 3.7 Flame resistance level: UL94V-0
- 3.8 Wire size: 16A: (1~4)mm²; 32A: (25~10)mm²; 63A: (6~25)mm²; 125A: (25~70)mm²



Motor Control and Protection

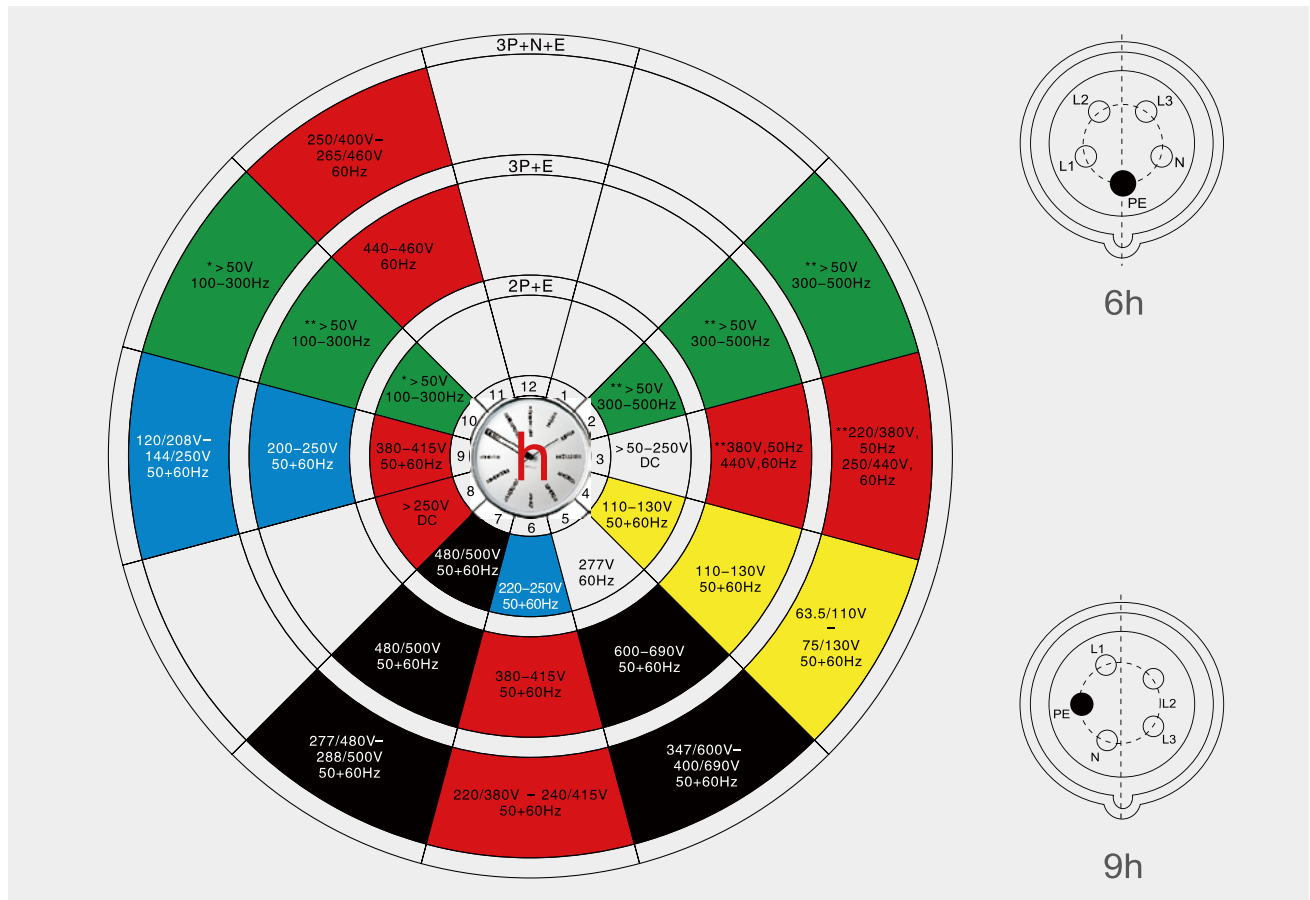
4. Model Description

N	X	TC	3	16	P	6h	250V	W
Manufacturer identification code	Design series number	Industrial plug/socket	Number of poles	Current rating	Product type	Position of earthing pole	Voltage rating	Protection
			3:2P+E 4:3P+E 5:3P+N+E	16A 32A 63A 125A	P: Movable plug AP: Panel-mounted straight plug C: Connector MXS: Connector AS: Panel-mounted straight socket	6h	AC250V AC415V	Null: IP44 W: IP67

4.1 Model example

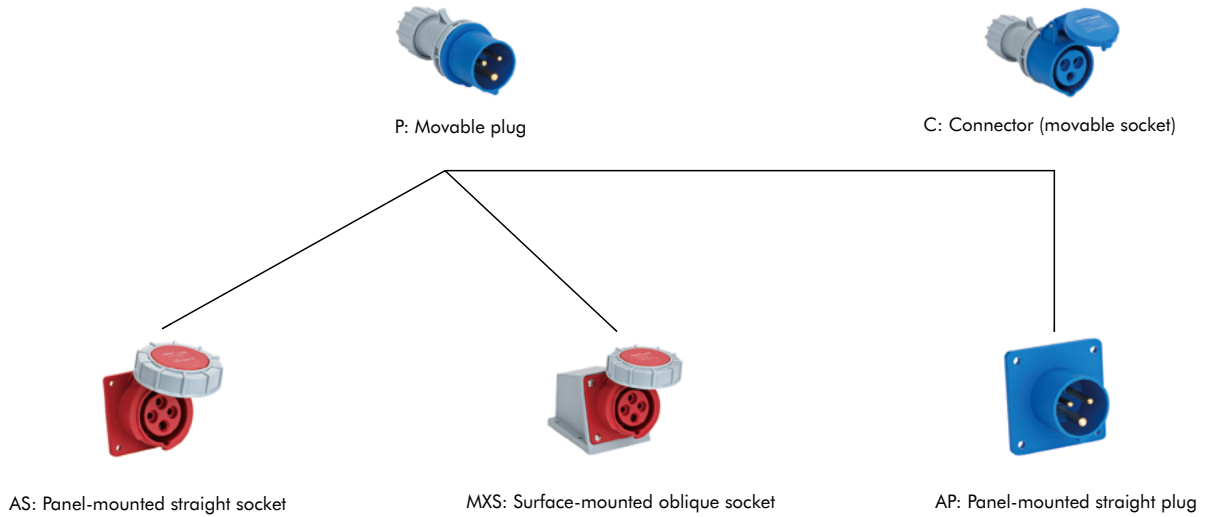
NXTC-316P6h/250VW stands for a movable industrial plug with 3 poles, rated current of 16A, rated voltage of 250V and protection level of IP67.

4.2 Color coding and position of earthing terminal



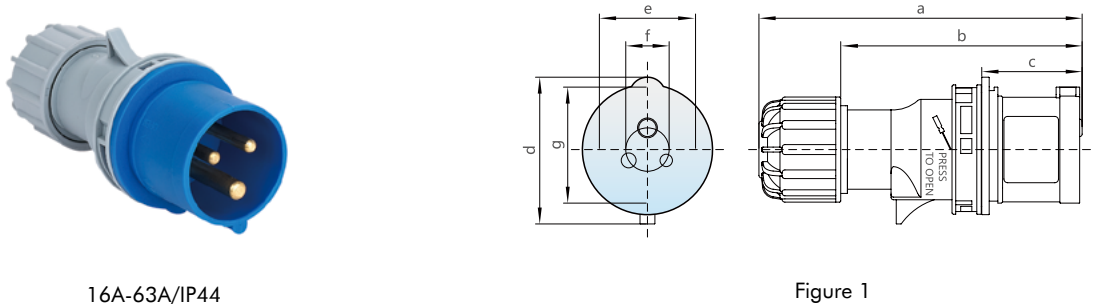
We have defined different product models in the corresponding sectors of a clock, wherein the sectors marked in black refer to standard models, and others are special models that need to be customized. The left circle table shows an overview of the clock, number of poles and voltage respectively to help you easily identify the characteristics of each product. The right two figures show a socket or connector with the PE conductor in the 6h and 9h positions respectively. This product clock diagram is based on the hole of a socket or connector to indicate the direction of the clock.

5. Matching of Industrial Plugs & Sockets



6. Product Types and Dimensions

Connector



Ampere (A)/Protection		16A/IP44			32A/IP44			63A/IP44		
Poles (P)		3	4	5	3	4	5	3	4	5
Dimensions (mm)	a	128	132.5	139.5	162	162	162	215.5	215.5	215.5
	b	95	99.5	106.5	125	125	125	160.5	160.5	160.5
	c	40	40	40	48.5	48.5	48.5	87.3	87.3	87.3
	d	59.2	66.3	76.3	81	81	81	96.7	96.7	96.7
	e	39	44	50	50.5	50.5	56.5	63	63	63
	f	17.5	21.6	26.6	25	25	30	36.5	36.5	36.5
	g	47	53.5	62	63	63	69.5	75.3	75.3	75.3



Motor Control and Protection



16A-125A/IP67

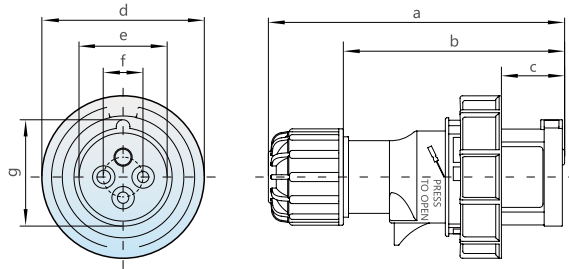


Figure 2

Ampere (A)/Protection		16A/IP67			32A/IP67			63A/IP67			125A/IP67		
Poles (P)		3	4	5	3	4	5	3	4	5	3	4	5
Dimensions (mm)	a	128	132.5	139.5	157	157	162	215.5	215.5	215.5	282.6	282.6	282.6
	b	95	99.5	106.5	120	120	125	160.5	160.5	160.5	218.6	218.6	218.6
	c	27	27	27	34.1	34.1	34.1	49.6	49.6	49.6	95.7	95.7	95.7
	d	71.5	79.5	87.5	93.5	93.5	101	112.9	112.9	112.9	132.8	132.8	132.8
	e	39	44	50	50.5	50.5	56.5	63	63	63	74.4	74.4	74.4
	f	17.5	21.6	26.6	25	25	30	36.5	36.5	36.5	42.5	42.5	42.5
	g	47	53.5	62	63	63	69.5	75.3	75.3	75.3	87.2	87.2	87.2



16A-63A/IP44

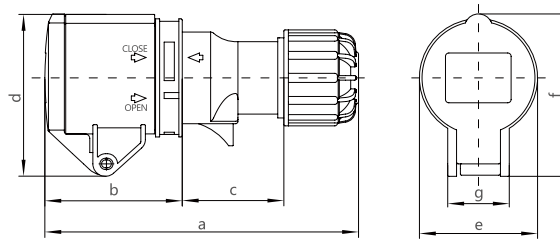


Figure 3

Ampere (A)/Protection		16A/IP44			32A/IP44			63A/IP44		
Poles (P)		3	4	5	3	4	5	3	4	5
Dimensions (mm)	a	136	142.5	150	171	171	176	233.7	233.7	233.7
	b	61	62	62	75	75	75	105.5	105.5	105.5
	c	42.2	47.5	55	59	59	64	73.2	73.2	73.2
	d	72	77	82.5	88.6	88.6	100.2	108.1	108.1	108.1
	e	52.2	58.6	65.3	67.4	67.4	73.5	95.7	95.7	95.7
	f	72	77	82.5	88.6	88.6	100.2	108.1	108.1	108.1
	g	27.2	27.2	27.2	34.5	34.5	34.5	34	34	34



16A-125A/IP67

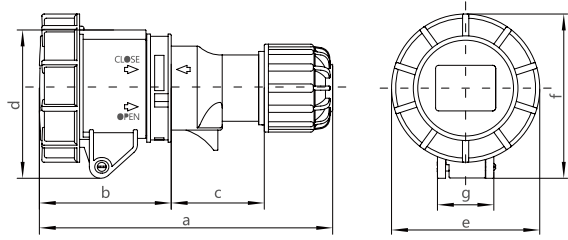


Figure 4

Ampere (A)/Protection		16A/IP67			32A/IP67			63A/IP67			125A/IP67		
Poles (P)		3	4	5	3	4	5	3	4	5	3	4	5
Dimensions (mm)	a	139	145	152	172.8	172.8	178.5	236.1	236.1	236.1	302.3	302.3	302.3
	b	63.5	64.5	64.5	76.8	76.8	77.5	107.9	107.9	107.9	115.4	115.4	115.4
	c	42.2	47.5	55	59	59	64	73.2	73.2	73.2	122.9	122.9	122.9
	d	71.5	77	84	87.5	87.5	99	102.4	102.4	102.4	114.2	114.2	114.2
	e	71.5	79	87.5	93	93	101	117	117	117	129.7	129.7	129.7
	f	79.2	85	91	96.5	96.5	108.5	112.6	112.6	112.6	123.4	123.4	123.4
	g	27.2	27.2	27.2	34.5	34.5	34.5	34	34	34	34.5	34.5	34.5

Panel-mounted straight plug



16A-63A/IP44

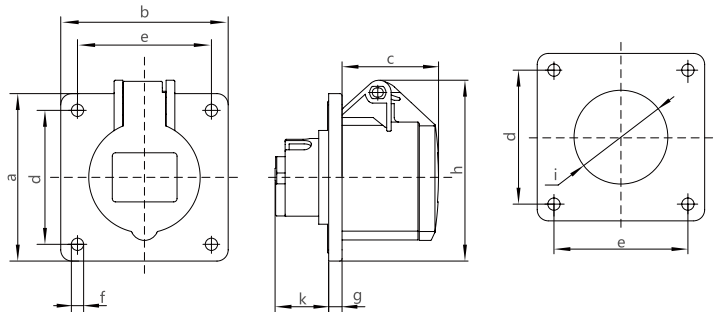


Figure 5

Ampere (A)/Protection		16A/IP44			32A/IP44			63A/IP44		
Poles (P)		3	4	5	3	4	5	3	4	5
Dimensions (mm)	a	75	75	75	75	75	75	100	100	100
	b	75	75	75	75	75	75	100	100	100
	c	43.2	45.2	51.2	56	56	60	102.6	102.6	102.6
	d	60	60	60	60	60	60	85	85	85
	e	60	60	60	60	60	60	85	85	85
	f	5.5	5.5	5.5	5.5	5.5	5.5	6.5	6.5	6.5
	g	6	6	6	6	6	6	6	6	6
	h	81	83	84	88.6	88.6	100.2	108.1	108.1	108.1
	k	23	23	23	30	30	25	17.2	17.2	17.2
	l	44	50	57	58	58	63	79	79	79



Motor Control and Protection



16A-125A/IP67

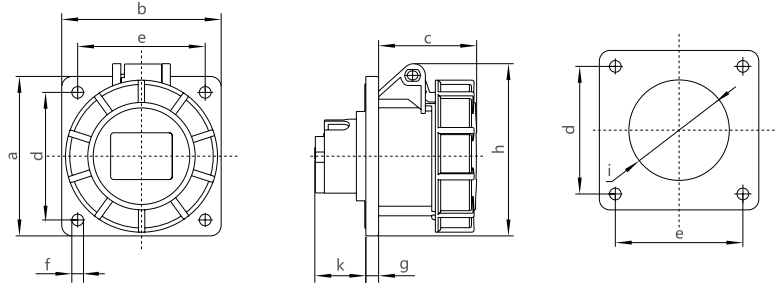


Figure 6

Ampere (A)/Protection	16A/IP67			32A/IP67			63A/IP67			125A/IP67			
Poles (P)	3	4	5	3	4	5	3	4	5	3	4	5	
Dimensions (mm)	a	75	75	75	75	75	75	100	100	100	130	130	130
	b	75	75	75	75	75	75	100	100	100	130	130	130
	c	46.1	47.7	47.7	57.7	57.7	63.5	105	105	105	112.1	112.1	112.1
	d	60	60	60	60	60	60	85	85	85	104	104	104
	e	60	60	60	60	60	60	85	85	85	104	104	104
	f	5.5	5.5	5.5	5.5	5.5	5.5	6.5	6.5	6.5	6.5	6.5	6.5
	g	6	6	6	6	6	6	6	6	6	8	8	8
	h	81	85	90.3	96.5	96.5	108.5	112.6	112.6	112.6	123.4	123.4	123.4
	k	23	23	23	31	31	25	17.2	17.2	17.2	25.3	25.3	25.3
i	44	50	57	58	58	63	79	79	79	102	102	102	

Surface-mounted socket



16A-63A/IP44

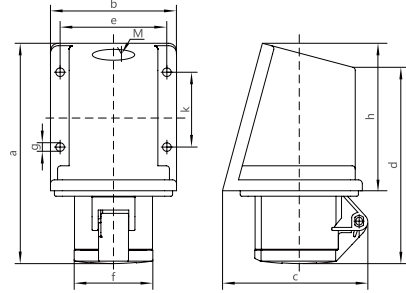


Figure 7

Ampere (A)/Protection		16A/IP44			32A/IP44			63A/IP44		
Poles (P)		3	4	5	3	4	5	3	4	5
Dimensions (mm)	a	141.2	141.2	141.2	152.3	152.3	157.3	244.6	244.6	244.6
	b	80	80	80	80	80	80	108.8	108.8	108.8
	c	92.2	94.2	95.3	98.7	98.7	106.7	115.7	115.7	115.7
	d	126	126	126	137	137	142	226.7	226.7	226.7
	e	67.7	67.7	67.7	67.7	67.7	67.7	96.5	96.5	96.5
	f	50	56	63	65.4	65.4	71.5	95.7	95.7	95.7
	g	5.5	5.5	5.5	5.5	5.5	5.5	6.5	6.5	6.5
	h	94.5	94.5	94.5	94.5	94.5	94.5	139.4	139.4	139.4
	k	49.7	49.7	49.7	49.7	49.7	49.7	82.1	82.1	82.1
	M	25	25	25	25	25	25	40	40	40



16A-125A/IP67

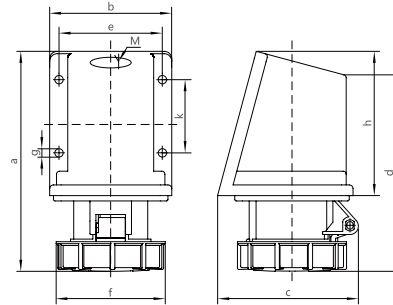


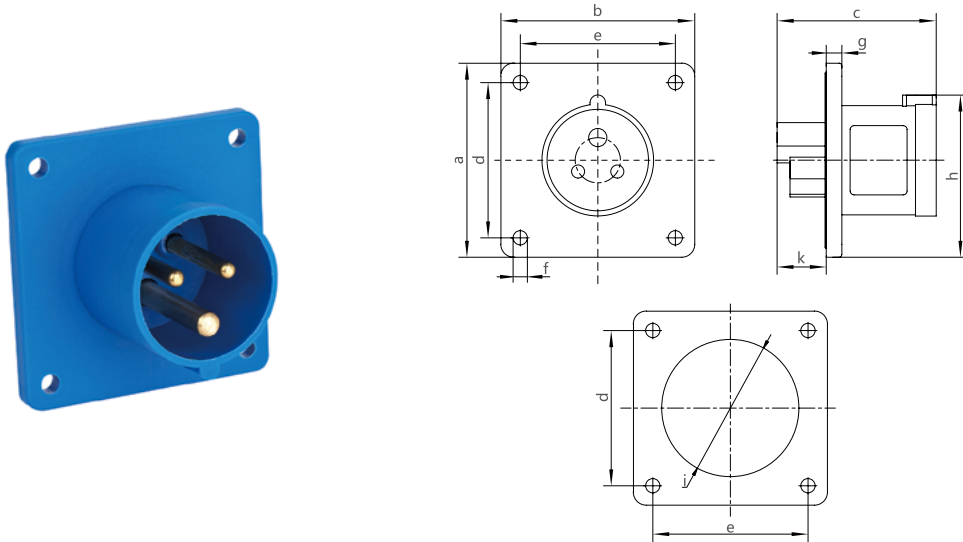
Figure 8

Ampere (A)/Protection		16A/IP67			32A/IP67			63A/IP67			125A/IP67		
Poles (P)		3	4	5	3	4	5	3	4	5	3	4	5
Dimensions (mm)	a	144	144	144	154	154	160	247	247	247	284.5	284.5	284.5
	b	80	80	80	80	80	80	108.8	108.8	108.8	138.8	138.8	138.8
	c	92.2	94.2	95.3	98.7	98.7	106.7	115.7	115.7	115.7	134.6	134.6	134.6
	d	129	129	129	138	138	144	229.1	229.1	229.1	262.2	262.2	262.2
	e	67.7	67.7	67.7	67.7	67.7	67.7	96.5	96.5	96.5	120	120	120
	f	71.5	79	87.5	93	93	101	117	117	117	129.7	129.7	129.7
	g	5.5	5.5	5.5	5.5	5.5	5.5	6.3	6.3	6.3	8.5	8.5	8.5
	h	94.5	94.5	94.5	94.5	94.5	94.5	139.4	139.4	139.4	170.3	170.3	170.3
	k	49.7	49.7	49.7	49.7	49.7	49.7	82.1	82.1	82.1	96.6	96.6	96.6
	M	25	25	25	25	25	25	40	40	40	50	50	50



Motor Control and Protection

Additional plug



16A/IP44

Figure 9

Ampere (A)/Protection		16A/IP44		
Poles (P)		3	4	5
Dimensions (mm)	a	75	75	75
	b	75	75	75
	c	62	62	62
	d	60	60	60
	e	60	60	60
	f	5.5	5.5	5.5
	g	6	6	6
	h	62.7	66.2	70.2
	k	18.5	18.5	18.5
	i	48.8	50.8	52.8

7. NXTC Industrial Plug/Socket Model

SN	Industrial Plug/Socket Description	Industrial Plug/Socket Model
1	Movable plug	NXTC-316P6h/250V
		NXTC-416P6h/415V
		NXTC-516P6h/415V
		NXTC-332P6h/250V
		NXTC-432P6h/415V
		NXTC-532P6h/415V
		NXTC-363P6h/250V
		NXTC-463P6h/415V
		NXTC-563P6h/415V
		NXTC-316P6h/250VW
		NXTC-416P6h/415VW
		NXTC-516P6h/415VW
		NXTC-332P6h/250VW
		NXTC-432P6h/415VW
		NXTC-532P6h/415VW
		NXTC-363P6h/250VW
		NXTC-463P6h/415VW
		NXTC-563P6h/415VW
		NXTC-3125P6h/250VW
		NXTC-4125P6h/415VW
NXTC-5125P6h/415VW		
2	Connector	NXTC-316C6h/250V
		NXTC-416C6h/415V
		NXTC-516C6h/415V
		NXTC-332C6h/250V
		NXTC-432C6h/415V
		NXTC-532C6h/415V
		NXTC-363C6h/250V
		NXTC-463C6h/415V
		NXTC-563C6h/415V
		NXTC-316C6h/250VW
		NXTC-416C6h/415VW
		NXTC-516C6h/415VW
		NXTC-332C6h/250VW
		NXTC-432C6h/415VW
		NXTC-532C6h/415VW
		NXTC-363C6h/250VW
		NXTC-463C6h/415VW
		NXTC-563C6h/415VW
		NXTC-3125C6h/250VW
		NXTC-4125C6h/415VW
NXTC-5125C6h/415VW		
3	Surface-mounted oblique socket	NXTC-316MXS6h/250V
		NXTC-416MXS6h/415V
		NXTC-516MXS6h/415V
		NXTC-332MXS6h/250V
		NXTC-432MXS6h/415V
		NXTC-532MXS6h/415V
		NXTC-363MXS6h/250V
		NXTC-463MXS6h/415V
		NXTC-563MXS6h/415V
		NXTC-316MXS6h/250VW
		NXTC-416MXS6h/415VW
		NXTC-516MXS6h/415VW
		NXTC-332MXS6h/250VW
		NXTC-432MXS6h/415VW
		NXTC-532MXS6h/415VW
		NXTC-363MXS6h/250VW
		NXTC-463MXS6h/415VW
		NXTC-563MXS6h/415VW



Motor Control and Protection

(Continued)

SN	Industrial Plug/Socket Description	Industrial Plug/Socket Model
4	Panel-mounted straight socket	NXTC-316AS6h/250V
		NXTC-416AS6h/415V
		NXTC-516AS6h/415V
		NXTC-332AS6h/250V
		NXTC-432AS6h/415V
		NXTC-532AS6h/415V
		NXTC-363AS6h/250V
		NXTC-463AS6h/415V
		NXTC-563AS6h/415V
		NXTC-316AS6h/250VW
		NXTC-416AS6h/415VW
		NXTC-516AS6h/415VW
		NXTC-332AS6h/250VW
		NXTC-432AS6h/415VW
		NXTC-532AS6h/415VW
		NXTC-363AS6h/250VW
		NXTC-463AS6h/415VW
		NXTC-563AS6h/415VW
		NXTC-3125AS6h/250VW
		NXTC-4125AS6h/415VW
NXTC-5125AS6h/415VW		
5	Panel-mounted straight plug	NXTC-316AP6h/250V
		NXTC-416AP6h/415V
		NXTC-516AP6h/415V